

TZV 系列  
SERIES

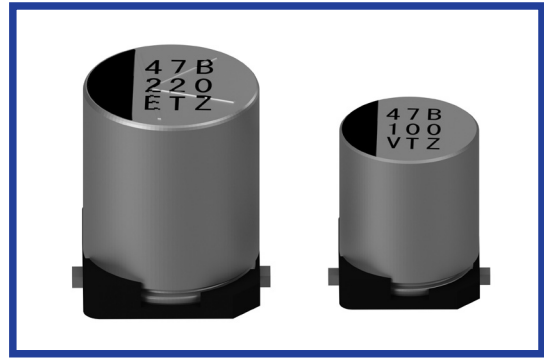
105°C 低阻抗品  
105°C Low Impedance

·105°C 2000小时品。  
Load Life : 105°C 2000 hours.

RoHS  
compliance

·可对应AEC-Q200。  
AEC-Q200.

·可对应高温回流焊接。(JZV系列)  
High Temperature Reflow soldering is available. (JZV series)  
([http://www.rubycon.co.jp/en/catalog/e\\_pdfs/aluminum/e\\_JZV.pdf](http://www.rubycon.co.jp/en/catalog/e_pdfs/aluminum/e_JZV.pdf))



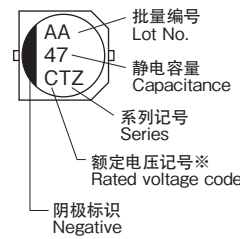
规格表 / SPECIFICATIONS

| 项目 Items   | 特性 Characteristics  |                               |   |                              |  |                        |   |    |                                |      |      |      |      |      |      |                                |   |   |   |   |   |   |                                |   |   |   |   |   |   |
|--|---|-------------------------------|---|------------------------------|--|------------------------|---|----|--------------------------------|------|------|------|------|------|------|--------------------------------|---|---|---|---|---|---|--------------------------------|---|---|---|---|---|---|
| 工作温度范围<br>Category Temperature Range                               | -55~+105°C  |                               |   |                              |  |                        |   |    |                                |      |      |      |      |      |      |                                |   |   |   |   |   |   |                                |   |   |   |   |   |   |
| 额定电压范围<br>Rated Voltage Range                                      | 6.3~50Vdc   |                               |   |                              |  |                        |   |    |                                |      |      |      |      |      |      |                                |   |   |   |   |   |   |                                |   |   |   |   |   |   |
| 静电容量允许差<br>Capacitance Tolerance                                   | ±20% (20°C, 120Hz)  |                               |   |                              |  |                        |   |    |                                |      |      |      |      |      |      |                                |   |   |   |   |   |   |                                |   |   |   |   |   |   |
| 漏电流<br>Leakage Current(MAX)  | 小于 $I=0.01CV$ 和 $3\mu A$ 中的较大值 (施加额定电压2分钟后)<br>$I=0.01CV$ or $3\mu A$ whichever is greater. (After 2 minutes application of rated voltage)<br><br>I=漏损电流( $\mu A$ )      C=静电容量( $\mu F$ )      V=额定电压(Vdc)<br>Leakage Current      Capacitance      Rated Voltage  |                               |   |                              |  |                        |   |    |                                |      |      |      |      |      |      |                                |   |   |   |   |   |   |                                |   |   |   |   |   |   |
| 损失角正切值 ( $\tan \delta$ )<br>Dissipation Factor(MAX)                | (20°C, 120Hz)<br><table border="1"> <tr> <td>额定电压(Vdc)<br/>Rated Voltage</td> <td>6.3</td> <td>10</td> <td>16</td> <td>25</td> <td>35</td> <td>50</td> </tr> <tr> <td><math>\tan \delta</math></td> <td>0.26</td> <td>0.19</td> <td>0.16</td> <td>0.14</td> <td>0.12</td> <td>0.10</td> </tr> </table>  | 额定电压(Vdc)<br>Rated Voltage    | 6.3   | 10                           | 16   | 25                     | 35  | 50 | $\tan \delta$                  | 0.26 | 0.19 | 0.16 | 0.14 | 0.12 | 0.10 |                                |   |   |   |   |   |   |                                |   |   |   |   |   |   |
| 额定电压(Vdc)<br>Rated Voltage   | 6.3   | 10                            | 16  | 25                           | 35   | 50                     |   |    |                                |      |      |      |      |      |      |                                |   |   |   |   |   |   |                                |   |   |   |   |   |   |
| $\tan \delta$  | 0.26  | 0.19                          | 0.16  | 0.14                         | 0.12   | 0.10                   |   |    |                                |      |      |      |      |      |      |                                |   |   |   |   |   |   |                                |   |   |   |   |   |   |
| 耐久性<br>Endurance   | 在105°C环境中, 不超过额定电压的范围内叠加额定纹波电流, 连续加载2000小时后, 满足以下各项要求。<br>After applying rated voltage with rated ripple current for 2000 hours at 105°C, the capacitors shall meet the following requirements. <table border="1"> <tr> <td>静电容量变化率<br/>Capacitance Change</td> <td>初期值的±30%以内<br/>Within ±30% of the initial value.</td> </tr> <tr> <td>损失角正切值<br/>Dissipation Factor</td> <td>规格值的200%以下<br/>Not more than 200% of the specified value.</td> </tr> <tr> <td>漏电流<br/>Leakage Current</td> <td>规格值以下<br/>Not more than the specified value.</td> </tr> </table> | 静电容量变化率<br>Capacitance Change | 初期值的±30%以内<br>Within ±30% of the initial value. | 损失角正切值<br>Dissipation Factor | 规格值的200%以下<br>Not more than 200% of the specified value. | 漏电流<br>Leakage Current | 规格值以下<br>Not more than the specified value. |    |                                |      |      |      |      |      |      |                                |   |   |   |   |   |   |                                |   |   |   |   |   |   |
| 静电容量变化率<br>Capacitance Change                                      | 初期值的±30%以内<br>Within ±30% of the initial value.   |                               |   |                              |  |                        |   |    |                                |      |      |      |      |      |      |                                |   |   |   |   |   |   |                                |   |   |   |   |   |   |
| 损失角正切值<br>Dissipation Factor                                       | 规格值的200%以下<br>Not more than 200% of the specified value.  |                               |   |                              |  |                        |   |    |                                |      |      |      |      |      |      |                                |   |   |   |   |   |   |                                |   |   |   |   |   |   |
| 漏电流<br>Leakage Current   | 规格值以下<br>Not more than the specified value.   |                               |   |                              |  |                        |   |    |                                |      |      |      |      |      |      |                                |   |   |   |   |   |   |                                |   |   |   |   |   |   |
| 低温特性<br>Low Temperature Stability<br>(阻抗比)<br>Impedance Ratio(MAX) | (120Hz)<br><table border="1"> <tr> <td>额定电压(Vdc)<br/>Rated Voltage</td> <td>6.3</td> <td>10</td> <td>16</td> <td>25</td> <td>35</td> <td>50</td> </tr> <tr> <td><math>Z(-25^\circ C)/Z(20^\circ C)</math></td> <td>2</td> <td>2</td> <td>2</td> <td>2</td> <td>2</td> <td>2</td> </tr> <tr> <td><math>Z(-40^\circ C)/Z(20^\circ C)</math></td> <td>3</td> <td>3</td> <td>3</td> <td>3</td> <td>3</td> <td>3</td> </tr> <tr> <td><math>Z(-55^\circ C)/Z(20^\circ C)</math></td> <td>4</td> <td>4</td> <td>4</td> <td>3</td> <td>3</td> <td>3</td> </tr> </table> | 额定电压(Vdc)<br>Rated Voltage    | 6.3   | 10                           | 16   | 25                     | 35  | 50 | $Z(-25^\circ C)/Z(20^\circ C)$ | 2    | 2    | 2    | 2    | 2    | 2    | $Z(-40^\circ C)/Z(20^\circ C)$ | 3 | 3 | 3 | 3 | 3 | 3 | $Z(-55^\circ C)/Z(20^\circ C)$ | 4 | 4 | 4 | 3 | 3 | 3 |
| 额定电压(Vdc)<br>Rated Voltage   | 6.3   | 10                            | 16  | 25                           | 35   | 50                     |   |    |                                |      |      |      |      |      |      |                                |   |   |   |   |   |   |                                |   |   |   |   |   |   |
| $Z(-25^\circ C)/Z(20^\circ C)$                                     | 2   | 2                             | 2   | 2                            | 2  | 2                      |   |    |                                |      |      |      |      |      |      |                                |   |   |   |   |   |   |                                |   |   |   |   |   |   |
| $Z(-40^\circ C)/Z(20^\circ C)$                                     | 3   | 3                             | 3   | 3                            | 3  | 3                      |   |    |                                |      |      |      |      |      |      |                                |   |   |   |   |   |   |                                |   |   |   |   |   |   |
| $Z(-55^\circ C)/Z(20^\circ C)$                                     | 4   | 4                             | 4   | 3                            | 3  | 3                      |   |    |                                |      |      |      |      |      |      |                                |   |   |   |   |   |   |                                |   |   |   |   |   |   |

纹波电流修正系数 /  
MULTIPLIER FOR RIPPLE CURRENT

| 频率(Hz)<br>Frequency | 120  | 1k   | 10k  | 100k≤ |
|---------------------|------|------|------|-------|
| 4.7 $\mu F$         | 0.30 | 0.60 | 0.80 | 1.00  |
| 10~47 $\mu F$       | 0.32 | 0.75 | 0.90 | 1.00  |
| 100 $\mu F$         | 0.50 | 0.80 | 0.95 | 1.00  |
| 220~1000 $\mu F$    | 0.60 | 0.85 | 0.95 | 1.00  |

标识 / MARKING



※电压记号 Voltage Code

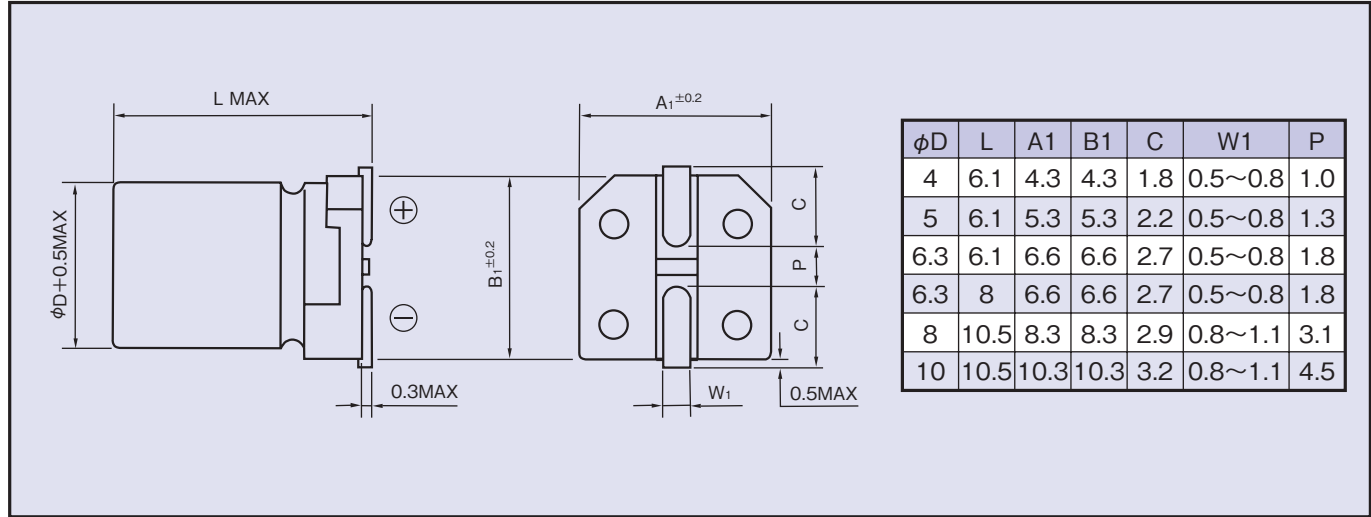
|                              |     |    |    |    |    |    |
|------------------------------|-----|----|----|----|----|----|
| 额定电压(Vdc)<br>Rated Voltage   | 6.3 | 10 | 16 | 25 | 35 | 50 |
| 额定电压记号<br>Rated Voltage code | j   | A  | C  | E  | V  | H  |

产品型号体系 / PART NUMBER

|                       |                |                     |                                  |               |                   |
|-----------------------|----------------|---------------------|----------------------------------|---------------|-------------------|
| □□□                   | TZV            | □□□□□               | M                                | □□□           | D×L               |
| 额定电压<br>Rated Voltage | 系列名称<br>Series | 静电容量<br>Capacitance | 静电容量允许差<br>Capacitance Tolerance | 副记号<br>Option | 铝壳尺寸<br>Case Size |

◆尺寸图 / DIMENSIONS

(mm)



◆标准品一览表 / STANDARD SIZE Size φD×L(mm), Rated Ripple Current (mA r.m.s./105°C, 100kHz), Impedance(Ω MAX/20°C, 100kHz)

| Vdc  | Cap (μF) | Size (φD×L) | Ripple | Impedance |
|------|----------|-------------|--------|-----------|
| 6.3  | 22       | 4×6.1       | 90     | 1.35      |
|      | 47       | 4×6.1       | 90     | 1.35      |
|      |          | 5×6.1       | 170    | 0.70      |
|      | 100      | 5×6.1       | 170    | 0.70      |
|      |          | 6.3×6.1     | 250    | 0.36      |
|      | 220      | 6.3×6.1     | 250    | 0.36      |
|      |          | 6.3×8       | 300    | 0.34      |
|      | 330      | 6.3×8       | 300    | 0.34      |
| 1000 | 8×10.5   | 600         | 0.16   |           |
| 10   | 33       | 4×6.1       | 90     | 1.35      |
|      | 220      | 6.3×8       | 300    | 0.34      |
|      | 470      | 8×10.5      | 600    | 0.16      |
|      | 680      | 8×10.5      | 600    | 0.16      |
|      | 1000     | 10×10.5     | 850    | 0.08      |
| 16   | 10       | 4×6.1       | 90     | 1.35      |
|      | 22       | 4×6.1       | 90     | 1.35      |
|      |          | 5×6.1       | 170    | 0.70      |
|      | 33       | 5×6.1       | 170    | 0.70      |
|      | 47       | 5×6.1       | 170    | 0.70      |
|      |          | 6.3×6.1     | 250    | 0.36      |
|      | 100      | 6.3×6.1     | 250    | 0.36      |
|      |          | 6.3×8       | 300    | 0.34      |
|      | 220      | 6.3×8       | 300    | 0.34      |
|      | 330      | 8×10.5      | 600    | 0.16      |
| 470  | 8×10.5   | 600         | 0.16   |           |
| 680  | 10×10.5  | 850         | 0.08   |           |

| Vdc | Cap (μF) | Size (φD×L) | Ripple | Impedance |
|-----|----------|-------------|--------|-----------|
| 25  | 33       | 5×6.1       | 170    | 0.70      |
|     |          | 6.3×6.1     | 250    | 0.36      |
|     | 47       | 6.3×6.1     | 250    | 0.36      |
|     | 100      | 6.3×8       | 300    | 0.34      |
|     | 220      | 8×10.5      | 600    | 0.16      |
|     | 330      | 8×10.5      | 600    | 0.16      |
|     | 470      | 10×10.5     | 850    | 0.09      |
| 35  | 4.7      | 4×6.1       | 90     | 1.45      |
|     | 10       | 4×6.1       | 90     | 1.45      |
|     |          | 5×6.1       | 170    | 0.70      |
|     | 22       | 5×6.1       | 170    | 0.70      |
|     |          | 6.3×6.1     | 250    | 0.36      |
|     | 33       | 6.3×6.1     | 250    | 0.36      |
|     | 47       | 6.3×6.1     | 250    | 0.36      |
|     |          | 6.3×8       | 300    | 0.34      |
|     | 100      | 6.3×8       | 300    | 0.34      |
|     |          | 8×10.5      | 600    | 0.16      |
| 220 | 8×10.5   | 600         | 0.16   |           |
| 330 | 10×10.5  | 850         | 0.09   |           |
| 50  | 4.7      | 4×6.1       | 60     | 2.90      |
|     | 10       | 5×6.1       | 85     | 1.52      |
|     |          | 6.3×6.1     | 165    | 0.88      |
|     | 22       | 6.3×6.1     | 165    | 0.88      |
|     | 33       | 6.3×8       | 195    | 0.68      |
|     | 47       | 6.3×8       | 195    | 0.68      |
|     | 100      | 8×10.5      | 350    | 0.34      |
|     | 220      | 10×10.5     | 670    | 0.18      |

## X-ON Electronics

Largest Supplier of Electrical and Electronic Components

*Click to view similar products for [Aluminium Electrolytic Capacitors - SMD category](#):*

*Click to view products by [Rubycon manufacturer](#):*

Other Similar products are found below :

[EEV-FK1E332W](#) [ULV2H1R8MNL1GS](#) [MAL214099813E3](#) [CA025M4R70REB-0405](#) [HUB1800-S](#) [34610](#) [RYK-50V101MG5TT-FL](#)  
[107AXZ016MQ5](#) [RVJ-50V101MH10U-R](#) [EMVH101GRA221MMN0S](#) [MAL214097402E3](#) [MAL215375471E3](#) [MAL224699909E3](#)  
[MAL224699813E3](#) [MAL215099014E3](#) [MAL215099017E3](#) [MAL215099117E3](#) [MAL215099818E3](#) [AEH1010331M025R](#)  
[AEA1010221M035R](#) [AEH1010221M025R](#) [AEA1010102M016R](#) [AEA0810331M025R](#) [AEA1213102M025R](#) [AEA1213331M050R](#)  
[AEH1012471M016R](#) [MAL213967339E3](#) [ZSC00AF2211EARL](#) [VB1E100MB054000CE0](#) [RVT0J471M0607](#) [RVT1000UF10V34RV0081](#)  
[XT100UF50V90RV0067](#) [RVE100UF16V67RV0046](#) [RST22UF35V025](#) [RVT100UF16V67RV0120](#) [XT47UF50V90RV0082](#)  
[XT22UF50V90RV0083](#) [RST22UF50V026](#) [RST10UF16V013](#) [RST100UF25V004](#) [RST100UF35V009](#) [RST47UF25V035](#) [RST47UF50V038](#)  
[RST220UF25V019](#) [RSL220UF25V021](#) [XT10UF25V90RV0068](#) [FZ100UF50V90RV0066](#) [RST100UF16V003](#) [XT100UF10V90RV0060](#)  
[XT100UF16V90RV0061](#)