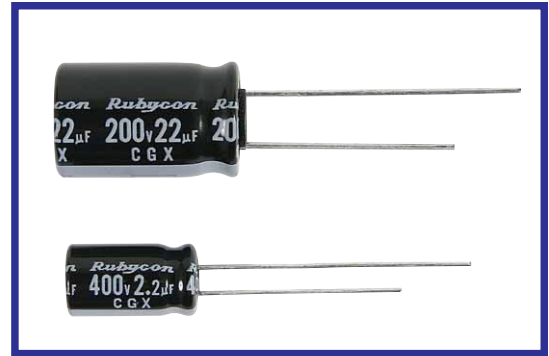
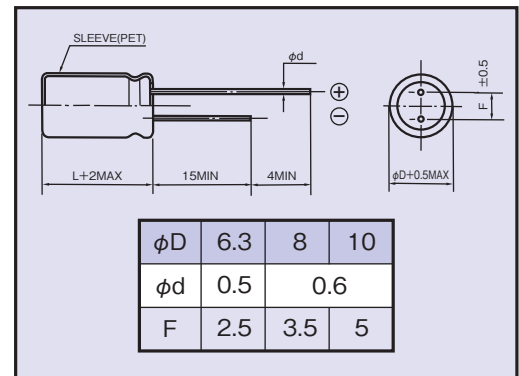


CGX SERIES
Load Life: 105°C 8000hours

• For LED Lighting.


◆ SPECIFICATIONS

Items	Characteristics	
Category Temperature Range	-40~+105°C	
Rated Voltage Range	200, 400Vdc	
Capacitance Tolerance	±20% (20°C, 120Hz)	
Leakage Current(MAX)	CV ≤ 1000	CV > 1000
	I=0.1CV+40µA (1minute) I=0.03CV+15µA (5minutes)	I=0.04CV+100µA (1minute) I=0.02CV+25µA (5minutes)
I=Leakage Current(µA) C=Capacitance(µF) V=Rated Voltage(Vdc)		
Dissipation Factor(MAX) (tan δ)	Rated Voltage (Vdc)	200 400 (20°C, 120Hz)
	tanδ	0.20 0.25
Endurance	After applying voltage with rated ripple current for 8000 hours at 105°C, the capacitors shall meet the following requirement.	
	Capacitance Change	Within ±20% of the initial value.
	Dissipation Factor	Not more than 200% of the specified value.
Leakage Current	Not more than the specified value.	
Low Temperature Stability Impedance Ratio(MAX)	Rated Voltage (Vdc)	200 400 (120Hz)
	Z(-25°C)/Z(20°C)	3 6
	Z(-40°C)/Z(20°C)	8 16

◆ DIMENSIONS (mm)

◆ MULTIPLIER FOR RIPPLE CURRENT

Frequency (Hz)	120	1k	10k	100k
Coefficient	1.0	1.7	2.2	2.5

◆ OPTION

	Code
PET Sleeve	EFC

◆ STANDARD SIZE

Size φDXL(mm), Ripple Current (mA r.m.s./105°C)

Rated Voltage (Vdc)	Capacitance (µF)	Size	Ripple	
			120Hz	100kHz
200	4.7	6.3×11	56	140
	5.6	6.3×11	60	150
	6.8	6.3×11	68	170
	8.2	8×11.5	96	240
	10	8×11.5	104	260
	12	8×11.5	112	280
	15	8×16	144	360
		10×12.5	148	370
	18	10×12.5	164	410
	22	10×16	200	500
27	10×16	208	520	

Rated Voltage (Vdc)	Capacitance (µF)	Size	Ripple	
			120Hz	100kHz
400	1.5	6.3×11	36	90
	1.8	6.3×11	38	95
	2.2	6.3×11	40	100
	2.7	8×11.5	60	150
	3.3	8×11.5	64	160
	3.9	8×11.5	68	170
	4.7	8×16	88	220
		10×12.5	92	230
	5.6	10×12.5	100	250
	6.8	10×16	120	300
	8.2	10×16	128	320

◆ PART NUMBER

□□□	CGX	□□□□□	M	□□□	□□	D×L
Rated Voltage	Series	Capacitance	Capacitance Tolerance	Option	Lead Forming	Case Size

X-ON Electronics

Largest Supplier of Electrical and Electronic Components

Click to view similar products for [Aluminium Electrolytic Capacitors - Radial Leaded](#) category:

Click to view products by [Rubycon](#) manufacturer:

Other Similar products are found below :

[LXY50VB4.7M-5X11](#) [RFO-100V471MJ7P#](#) [ECE-A1EGE220](#) [B41041A2687M8](#) [B41041A7226M8](#) [B41044A7157M6](#)
[EKXG201EC3101ML20S](#) [EKZM160ETD471MHB5D](#) [NCD681K10KVY5PF](#) [NEV1000M25EF-BULK](#) [NEV100M35DC](#) [NEV100M63DE](#)
[NEV220M25DD-BULK](#) [NEV.33M100AA](#) [NEV4700M50HB](#) [NEV.47M100AA](#) [NEVH1.0M250AB](#) [NEVH3.3M250BB](#) [NEVH3.3M450CC](#)
[KM4700/16](#) [KME50VB100M-8X11.5](#) [SG220M1CSA-0407](#) [ES5107M016AE1DA](#) [ESMG160ETD102MJ16S](#) [ESX472M16B](#) [227RZS050M](#)
[476CKH100MSA](#) [477RZS050M](#) [UVX1V101KPA1FA](#) [UVX1V222MHA1CA](#) [KME25VB100M-6.3X11](#) [VTL100S10](#) [VTL470S10](#)
[VTL470S16A](#) [511D336M250EK5D](#) [052687X](#) [ECE-A1CF471](#) [EKMA500ELL4R7ME07D](#) [NRE-S560M16V6.3X7TBSTF](#) [RGA221M1CTA-](#)
[0611G](#) [ERZA630VHN182UP54N](#) [UPL1A331MPH](#) [SK035M0100AZS-0611](#) [MAL214658821E3](#) [NEV1000M6.3DE](#) [NEV100M16CB](#)
[NEV100M50DD-BULK](#) [NEV2200M16FF](#) [NEV220M50EE](#) [NEV2.2M50AA](#)