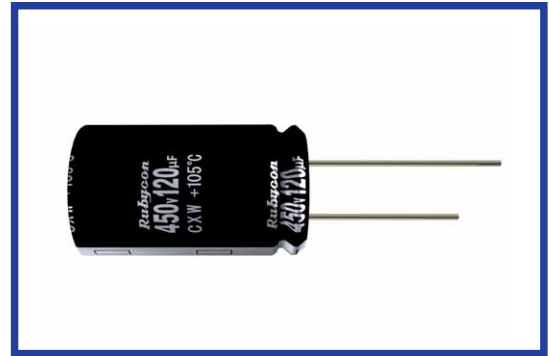


CXW SERIES

105°C 5000 hours, Ultra Miniaturized

•Temperature Range : -40°C~+105°C



◆SPECIFICATIONS

Items	Characteristics								
Category Temperature Range	-40~+105°C								
Rated Voltage Range	400~500Vdc								
Capacitance Tolerance	±20% (20°C, 120Hz)								
Leakage Current(MAX)	$I=3\sqrt{CV}$ (After 5 minutes application of rated voltage) I =Leakage Current(μA) C =Capacitance(μF) V =Rated Voltage(Vdc)								
Dissipation Factor(MAX) (tanδ)	<table border="1"> <tr> <td>Rated Voltage (Vdc)</td> <td>400~450</td> <td>500</td> <td>(20°C, 120Hz)</td> </tr> <tr> <td>tanδ</td> <td>0.20</td> <td>0.25</td> <td></td> </tr> </table>	Rated Voltage (Vdc)	400~450	500	(20°C, 120Hz)	tanδ	0.20	0.25	
Rated Voltage (Vdc)	400~450	500	(20°C, 120Hz)						
tanδ	0.20	0.25							
Endurance	After applying rated voltage with rated ripple current for 5000 hours at 105°C, the capacitors shall meet the following requirements. <table border="1"> <tr> <td>Capacitance Change</td> <td>Within ±20% of the initial value.</td> </tr> <tr> <td>Dissipation Factor</td> <td>Not more than 200% of the specified value.</td> </tr> <tr> <td>Leakage Current</td> <td>Not more than the specified value.</td> </tr> </table>	Capacitance Change	Within ±20% of the initial value.	Dissipation Factor	Not more than 200% of the specified value.	Leakage Current	Not more than the specified value.		
Capacitance Change	Within ±20% of the initial value.								
Dissipation Factor	Not more than 200% of the specified value.								
Leakage Current	Not more than the specified value.								
Low Temperature Stability Impedance Ratio(MAX)	<table border="1"> <tr> <td>Rated Voltage (Vdc)</td> <td>400</td> <td>420~500</td> <td>(120Hz)</td> </tr> <tr> <td>Z(-25°C)/Z(20°C)</td> <td>5</td> <td>6</td> <td></td> </tr> </table>	Rated Voltage (Vdc)	400	420~500	(120Hz)	Z(-25°C)/Z(20°C)	5	6	
Rated Voltage (Vdc)	400	420~500	(120Hz)						
Z(-25°C)/Z(20°C)	5	6							

◆MULTIPLIER FOR RIPPLE CURRENT

Frequency (Hz)	60(50)	120	500	1k	10k≤
Coefficient	0.80	1.00	1.25	1.40	1.50

◆OPTION

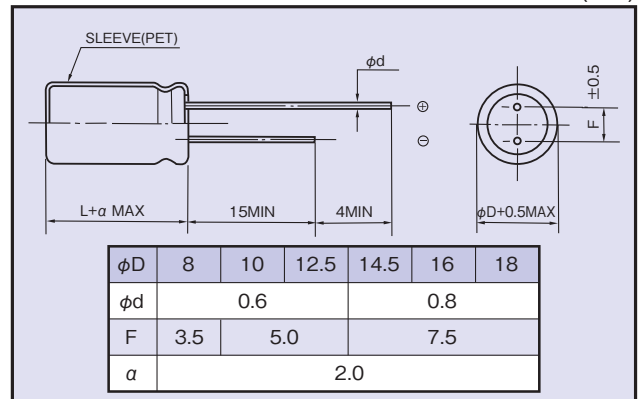
	Code
PET Sleeve (-40~+105°C)	EFR ※

※PET Sleeve -25~+105°C(EFC) is also available, please consult our sales offices.

◆PART NUMBER



◆DIMENSIONS (mm)



◆STANDARD SIZE

Rated Voltage (Vdc)	Capacitance (μF)	Size φD×L (mm)	Rated Ripple Current (A r.m.s./105°C,120Hz)
400	15	8×25	0.16
	18	8×30	0.19
	22	8×35	0.22
	27	8×40	0.25
	33	8×45	0.29
	39	10×40	0.37
	47	10×45	0.42
	56	10×50	0.47
	68	12.5×40	0.54
	82	12.5×45	0.61
	82	14.5×31.5	0.57
	100	12.5×50	0.68
	100	14.5×40	0.69
	100	16×31.5	0.71
	120	14.5×45	0.79
	120	16×35	0.80
	150	16×40	0.92
	150	18×31.5	0.89
	150	18×40	1.05
	180	16×50	1.08
180	18×40	1.06	
220	18×45	1.20	
420	12	8×25	0.10
	15	8×30	0.12
	18	8×35	0.16
	22	8×40	0.19
	39	10×40	0.36
	47	10×50	0.43
	56	12.5×40	0.48
	68	12.5×40	0.52
	68	14.5×31.5	0.52
	82	12.5×45	0.59
	82	14.5×35	0.59
	100	14.5×40	0.67
	100	16×31.5	0.69
	120	14.5×45	0.75
	120	16×35	0.78
	120	18×31.5	0.80
	150	16×45	0.94
	150	18×35	0.92
	180	16×50	1.05
	180	18×40	1.04
220	18×50	1.22	

Rated Voltage (Vdc)	Capacitance (μF)	Size φD×L (mm)	Rated Ripple Current (A r.m.s./105°C,120Hz)
450	10	8×25	0.12
	12	8×30	0.14
	15	8×35	0.16
	18	8×40	0.18
	22	8×50	0.22
	33	10×40	0.34
	39	10×45	0.38
	47	12.5×40	0.44
	56	12.5×40	0.49
	68	12.5×45	0.55
	68	14.5×31.5	0.52
	82	12.5×50	0.62
	82	14.5×40	0.63
	82	16×31.5	0.64
	82	16×35	0.60
	100	14.5×45	0.71
	100	16×35	0.73
	120	14.5×50	0.79
	120	16×40	0.82
	120	18×31.5	0.80
120	18×40	0.85	
150	16×50	0.98	
150	18×40	0.97	
180	18×45	1.09	
220	18×50	1.22	
500	82	16×45	0.61

※Additional multiplier for ripple current

Frequency (Hz)	50k≦
Coefficient	2.00

X-ON Electronics

Largest Supplier of Electrical and Electronic Components

Click to view similar products for [Aluminium Electrolytic Capacitors - Radial Leaded](#) category:

Click to view products by [Rubycon](#) manufacturer:

Other Similar products are found below :

[NRELS102M35V16X16C.140LLF](#) [ESRG160ETC100MD07D](#) [227RZS050M](#) [335CKR250M](#) [476CKH100MSA](#) [477CKR100M](#)
[107CKR010M](#) [107CKH063MSA](#) [RJH-25V222MI9#](#) [RJH-35V221MG5#](#) [B43827A1106M8](#) [RJH-50V221MH6#](#) [EKYA500ELL470MF11D](#)
[B41022A5686M6](#) [ESRG250ELL101MH09D](#) [EKMA160EC3101MF07D](#) [RJB-10V471MG3#](#) [ESMG160ETD221MF11D](#)
[EKZH160ETD152MJ20S](#) [RJH-35V122MJ6#](#) [EGXF630ELL621ML20S](#) [RBD-25V100KE3#N](#) [EKMA350ELL100ME07D](#)
[ESMG160ETD101ME11D](#) [ELXY100ETD102MJ20S](#) [EGXF500ELL561ML15S](#) [EKMG350ETD471MJ16S](#) [35YXA330MEFC10X12.5](#)
[RXW471M1ESA-0815](#) [ELXZ630ELL221MJ25S](#) [ERR1HM1R0D11OT](#) [LPE681M30060FVA](#) [LPL471M22030FVA](#) [HFE221M25030FVA](#)
[LKMD1401H221MF](#) [B41888G6108M000](#) [EKMA160ETD470MF07D](#) [UHW1J102MHD6](#) [EKMG500ETD221MJC5S](#) [LKMK2502W101MF](#)
[LKMD1401H181MF](#) [LKMI2502G820MF](#) [LKMJ2001J122MF](#) [LKML2501C472MF](#) [LKMJ4002C681MF](#) [450MXH330MEFCSN25X45](#)
[450MXK330MA2RFC22X50](#) [63ZLH560MEFCG412.5X30](#) [ELH2DM331O25KT](#) [ELH2DM471P30KT](#)