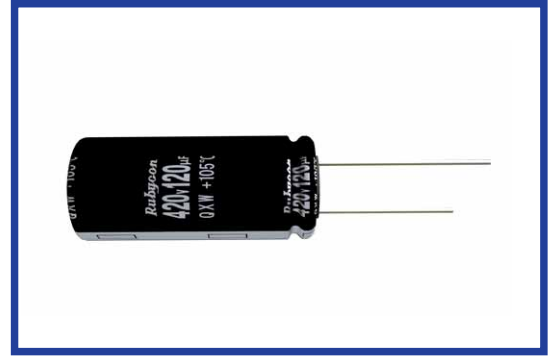


QXW SERIES
105°C 2000 hours, Ultra Miniaturized

•Temperature Range : -40°C~+105°C

 RoHS
compliance

◆SPECIFICATIONS

| Items | Characteristics | | | | | | | | |
|--|--|---------------------|-----------------------------------|--------------------|--|------------------|------------------------------------|------|--|
| Category Temperature Range | -40~+105°C | | | | | | | | |
| Rated Voltage Range | 400~450Vdc | | | | | | | | |
| Capacitance Tolerance | ±20% (20°C, 120Hz) | | | | | | | | |
| Leakage Current(MAX) | $I=3\sqrt{CV}$ (After 5 minutes application of rated voltage) I =Leakage Current(μA) C =Capacitance(μF) V =Rated Voltage(Vdc) | | | | | | | | |
| Dissipation Factor(MAX) (tanδ) | <table border="1"> <tr> <td>Rated Voltage (Vdc)</td> <td>400</td> <td>420, 450</td> <td>(20°C, 120Hz)</td> </tr> <tr> <td>tanδ</td> <td>0.15</td> <td>0.20</td> <td></td> </tr> </table> | Rated Voltage (Vdc) | 400 | 420, 450 | (20°C, 120Hz) | tanδ | 0.15 | 0.20 | |
| Rated Voltage (Vdc) | 400 | 420, 450 | (20°C, 120Hz) | | | | | | |
| tanδ | 0.15 | 0.20 | | | | | | | |
| Endurance | After applying rated voltage with rated ripple current for 2000 hours at 105°C, the capacitors shall meet the following requirements. <table border="1"> <tr> <td>Capacitance Change</td> <td>Within ±20% of the initial value.</td> </tr> <tr> <td>Dissipation Factor</td> <td>Not more than 200% of the specified value.</td> </tr> <tr> <td>Leakage Current</td> <td>Not more than the specified value.</td> </tr> </table> | Capacitance Change | Within ±20% of the initial value. | Dissipation Factor | Not more than 200% of the specified value. | Leakage Current | Not more than the specified value. | | |
| Capacitance Change | Within ±20% of the initial value. | | | | | | | | |
| Dissipation Factor | Not more than 200% of the specified value. | | | | | | | | |
| Leakage Current | Not more than the specified value. | | | | | | | | |
| Low Temperature Stability Impedance Ratio(MAX) | <table border="1"> <tr> <td>Rated Voltage (Vdc)</td> <td>400</td> <td>420, 450</td> <td>(120Hz)</td> </tr> <tr> <td>Z(-25°C)/Z(20°C)</td> <td>5</td> <td>6</td> <td></td> </tr> </table> | Rated Voltage (Vdc) | 400 | 420, 450 | (120Hz) | Z(-25°C)/Z(20°C) | 5 | 6 | |
| Rated Voltage (Vdc) | 400 | 420, 450 | (120Hz) | | | | | | |
| Z(-25°C)/Z(20°C) | 5 | 6 | | | | | | | |

◆MULTIPLIER FOR RIPPLE CURRENT

| | | | | | |
|----------------|--------|------|------|------|------|
| Frequency (Hz) | 60(50) | 120 | 500 | 1k | 10k≤ |
| Coefficient | 0.80 | 1.00 | 1.25 | 1.40 | 1.50 |

◆OPTION

| | |
|-------------------------|---------------|
| PET Sleeve (-40~+105°C) | Code EFR ※ |
|-------------------------|---------------|

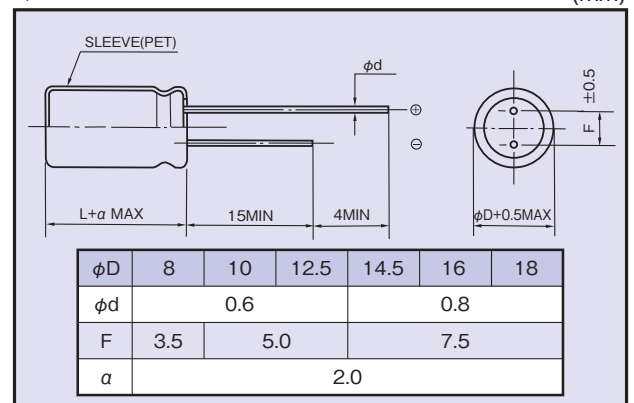
※PET Sleeve -25~+105°C(EFC) is also available, please consult our sales offices.

◆PART NUMBER

| | | | | | | |
|---------------|--------|-------------|-----------------------|--------|--------------|-----------|
| □□□ | QXW | □□□□□ | M | □□□ | □□ | DXL |
| Rated Voltage | Series | Capacitance | Capacitance Tolerance | Option | Lead Forming | Case Size |

◆DIMENSIONS

(mm)



◆STANDARD SIZE

| Rated Voltage (Vdc) | Capacitance (μF) | Size φD×L (mm) | Rated Ripple Current (A r.m.s./105°C,120Hz) |
|---------------------|------------------|----------------|---|
| 400 | 18 | 8×25 | 0.19 |
| | 22 | 8×30 | 0.22 |
| | 27 | 8×35 | 0.25 |
| | 33 | 8×45 | 0.33 |
| | 33 | 10×30 | 0.33 |
| | 39 | 8×50 | 0.35 |
| | 39 | 10×35 | 0.37 |
| | 47 | 10×40 | 0.43 |
| | 56 | 10×45 | 0.48 |
| | 56 | 12.5×30 | 0.47 |
| | 68 | 12.5×35 | 0.54 |
| | 82 | 12.5×40 | 0.62 |
| | 82 | 14.5×31.5 | 0.61 |
| | 100 | 12.5×50 | 0.73 |
| | 100 | 14.5×35 | 0.70 |
| | 100 | 16×31.5 | 0.71 |
| | 120 | 14.5×40 | 0.79 |
| | 120 | 16×35 | 0.80 |
| | 150 | 14.5×50 | 0.94 |
| | 150 | 16×40 | 0.92 |
| 150 | 18×31.5 | 0.89 | |
| 180 | 16×50 | 1.08 | |
| 180 | 18×40 | 1.06 | |
| 220 | 18×45 | 1.20 | |
| 420 | 15 | 8×25 | 0.12 |
| | 18 | 8×30 | 0.14 |
| | 22 | 8×40 | 0.22 |
| | 27 | 8×45 | 0.26 |
| | 33 | 10×30 | 0.32 |
| | 39 | 10×35 | 0.36 |
| | 47 | 10×40 | 0.41 |
| | 56 | 10×50 | 0.49 |
| | 56 | 12.5×30 | 0.46 |
| | 68 | 12.5×35 | 0.53 |
| | 82 | 12.5×45 | 0.63 |
| | 82 | 14.5×31.5 | 0.60 |
| | 100 | 12.5×50 | 0.71 |
| | 100 | 14.5×40 | 0.72 |
| | 100 | 16×31.5 | 0.69 |
| | 120 | 14.5×45 | 0.81 |
| | 120 | 16×35 | 0.78 |
| | 120 | 18×31.5 | 0.80 |
| | 150 | 16×45 | 0.94 |
| | 150 | 18×35 | 0.92 |
| 180 | 16×50 | 1.05 | |
| 180 | 18×40 | 1.04 | |
| 220 | 18×50 | 1.22 | |

| Rated Voltage (Vdc) | Capacitance (μF) | Size φD×L (mm) | Rated Ripple Current (A r.m.s./105°C,120Hz) |
|---------------------|------------------|----------------|---|
| 450 | 12 | 8×25 | 0.15 |
| | 15 | 8×30 | 0.17 |
| | 18 | 8×35 | 0.19 |
| | 22 | 8×45 | 0.23 |
| | 27 | 10×30 | 0.30 |
| | 33 | 10×35 | 0.34 |
| | 39 | 10×40 | 0.39 |
| | 47 | 10×45 | 0.44 |
| | 47 | 12.5×30 | 0.43 |
| | 56 | 12.5×35 | 0.49 |
| | 68 | 12.5×40 | 0.56 |
| | 68 | 14.5×31.5 | 0.56 |
| | 82 | 12.5×45 | 0.63 |
| | 82 | 14.5×35 | 0.63 |
| | 82 | 16×31.5 | 0.64 |
| | 100 | 14.5×40 | 0.72 |
| | 100 | 16×35 | 0.73 |
| | 120 | 14.5×50 | 0.85 |
| | 120 | 16×40 | 0.82 |
| | 120 | 18×31.5 | 0.80 |
| | 150 | 16×50 | 0.98 |
| | 150 | 18×40 | 0.97 |
| | 180 | 18×45 | 1.09 |
| | 220 | 18×50 | 1.22 |

X-ON Electronics

Largest Supplier of Electrical and Electronic Components

Click to view similar products for [Aluminium Electrolytic Capacitors - Radial Leaded](#) category:

Click to view products by [Rubycon](#) manufacturer:

Other Similar products are found below :

[NRELS102M35V16X16C.140LLF](#) [ESRG160ETC100MD07D](#) [227RZS050M](#) [335CKR250M](#) [476CKH100MSA](#) [477CKR100M](#)
[107CKR010M](#) [107CKH063MSA](#) [RJH-25V222MI9#](#) [RJH-35V221MG5#](#) [B43827A1106M8](#) [RJH-50V221MH6#](#) [EKYA500ELL470MF11D](#)
[B41022A5686M6](#) [ESRG250ELL101MH09D](#) [EKMA160EC3101MF07D](#) [RJB-10V471MG3#](#) [ESMG160ETD221MF11D](#)
[EKZH160ETD152MJ20S](#) [RJH-35V122MJ6#](#) [EGXF630ELL621ML20S](#) [RBD-25V100KE3#N](#) [EKMA350ELL100ME07D](#)
[ESMG160ETD101ME11D](#) [ELXY100ETD102MJ20S](#) [EGXF500ELL561ML15S](#) [EKMG350ETD471MJ16S](#) [35YXA330MEFC10X12.5](#)
[RXW471M1ESA-0815](#) [ELXZ630ELL221MJ25S](#) [ERR1HM1R0D11OT](#) [LPE681M30060FVA](#) [LPL471M22030FVA](#) [HFE221M25030FVA](#)
[LKMD1401H221MF](#) [B41888G6108M000](#) [EKMA160ETD470MF07D](#) [UHW1J102MHD6](#) [EKMG500ETD221MJC5S](#) [LKMK2502W101MF](#)
[LKMD1401H181MF](#) [LKMI2502G820MF](#) [LKMJ2001J122MF](#) [LKML2501C472MF](#) [LKMJ4002C681MF](#) [450MXH330MEFCSN25X45](#)
[450MXK330MA2RFC22X50](#) [63ZLH560MEFCG412.5X30](#) [ELH2DM331O25KT](#) [ELH2DM471P30KT](#)