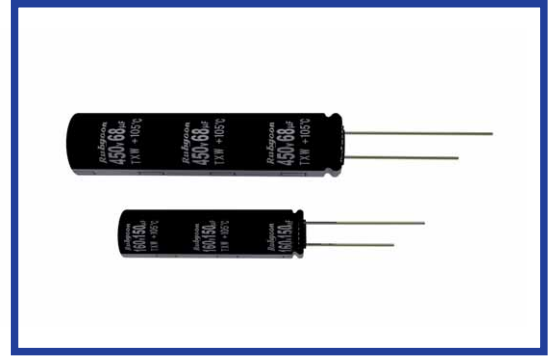


**TXW SERIES**
**105°C Long Life(7000~12000 hours), Miniaturized**

•Temperature Range : -40°C~+105°C

RoHS compliance


**◆SPECIFICATIONS**

| Items  | Characteristics  |   |      |                                   |      |           |                 |            |                   |                     |    |    |    |     |         |          |               |          |         |                  |      |      |      |      |      |   |   |   |  |                  |   |   |   |   |   |   |   |   |  |
|--|--|---|------|-----------------------------------|------|-----------|-----------------|------------|-------------------|---------------------|----|----|----|-----|---------|----------|---------------|----------|---------|------------------|------|------|------|------|------|---|---|---|--|------------------|---|---|---|---|---|---|---|---|--|
| Category Temperature Range                     | -40~+105°C   |   |      |                                   |      |           |                 |            |                   |                     |    |    |    |     |         |          |               |          |         |                  |      |      |      |      |      |   |   |   |  |                  |   |   |   |   |   |   |   |   |  |
| Rated Voltage Range                            | 35~100Vdc  | 160~450Vdc                                  |      |                                   |      |           |                 |            |                   |                     |    |    |    |     |         |          |               |          |         |                  |      |      |      |      |      |   |   |   |  |                  |   |   |   |   |   |   |   |   |  |
| Capacitance Tolerance                          | ±20% (20°C, 120Hz)   |   |      |                                   |      |           |                 |            |                   |                     |    |    |    |     |         |          |               |          |         |                  |      |      |      |      |      |   |   |   |  |                  |   |   |   |   |   |   |   |   |  |
| Leakage Current(MAX)                           | I=0.01CV or 3µA whichever is greater. (After 2 minutes)  |   |      |                                   |      |           |                 |            |                   |                     |    |    |    |     |         |          |               |          |         |                  |      |      |      |      |      |   |   |   |  |                  |   |   |   |   |   |   |   |   |  |
|  | I=3√CV (After 5 minutes application of rated voltage)  |   |      |                                   |      |           |                 |            |                   |                     |    |    |    |     |         |          |               |          |         |                  |      |      |      |      |      |   |   |   |  |                  |   |   |   |   |   |   |   |   |  |
|  | I=Leakage Current(µA)  | C=Capacitance(µF)      V=Rated Voltage(Vdc) |      |                                   |      |           |                 |            |                   |                     |    |    |    |     |         |          |               |          |         |                  |      |      |      |      |      |   |   |   |  |                  |   |   |   |   |   |   |   |   |  |
| Dissipation Factor(MAX) (tanδ)                 | <table border="1"> <thead> <tr> <th>Rated Voltage (V)</th> <th>35</th> <th>50</th> <th>63</th> <th>80</th> <th>100</th> <th>160~400</th> <th>420, 450</th> <th>(20°C, 120Hz)</th> </tr> </thead> <tbody> <tr> <td>tanδ</td> <td>0.12</td> <td>0.10</td> <td>0.09</td> <td>0.08</td> <td>0.08</td> <td>0.20</td> <td>0.25</td> <td></td> </tr> </tbody> </table>  |   |      |                                   |      |           |                 |            | Rated Voltage (V) | 35                  | 50 | 63 | 80 | 100 | 160~400 | 420, 450 | (20°C, 120Hz) | tanδ     | 0.12    | 0.10             | 0.09 | 0.08 | 0.08 | 0.20 | 0.25 |   |   |   |  |                  |   |   |   |   |   |   |   |   |  |
|  | Rated Voltage (V)  | 35  | 50   | 63                                | 80   | 100       | 160~400         | 420, 450   | (20°C, 120Hz)     |                     |    |    |    |     |         |          |               |          |         |                  |      |      |      |      |      |   |   |   |  |                  |   |   |   |   |   |   |   |   |  |
| tanδ   | 0.12   | 0.10  | 0.09 | 0.08                              | 0.08 | 0.20      | 0.25            |            |                   |                     |    |    |    |     |         |          |               |          |         |                  |      |      |      |      |      |   |   |   |  |                  |   |   |   |   |   |   |   |   |  |
| Endurance                                      | After applying rated voltage with rated ripple current for specified time at 105°C, the capacitors shall meet the following requirements.  |   |      |                                   |      |           |                 |            |                   |                     |    |    |    |     |         |          |               |          |         |                  |      |      |      |      |      |   |   |   |  |                  |   |   |   |   |   |   |   |   |  |
|  |  | 35~100Vdc                                   |      | 160~450Vdc                        |      | Case Size | Life Time (hrs) |            |                   |                     |    |    |    |     |         |          |               |          |         |                  |      |      |      |      |      |   |   |   |  |                  |   |   |   |   |   |   |   |   |  |
|  | Capacitance Change   | Within ±25% of the initial value.           |      | Within ±20% of the initial value. |      |           | 35~100Vdc       | 160~450Vdc |                   |                     |    |    |    |     |         |          |               |          |         |                  |      |      |      |      |      |   |   |   |  |                  |   |   |   |   |   |   |   |   |  |
|  | Dissipation Factor   | Not more than 200% of the specified value.  |      |                                   |      |           |                 |            | φ6.3              | 7000                | —  |    |    |     |         |          |               |          |         |                  |      |      |      |      |      |   |   |   |  |                  |   |   |   |   |   |   |   |   |  |
| Leakage Current                                | Not more than the specified value.   |   |      |                                   |      |           |                 | φD≥8       | 10000             | 12000               |    |    |    |     |         |          |               |          |         |                  |      |      |      |      |      |   |   |   |  |                  |   |   |   |   |   |   |   |   |  |
| Low Temperature Stability Impedance Ratio(MAX) | <table border="1"> <thead> <tr> <th>Rated Voltage (Vdc)</th> <th>35</th> <th>50</th> <th>63</th> <th>80</th> <th>100</th> <th>160~250</th> <th>350, 400</th> <th>420, 450</th> <th>(120Hz)</th> </tr> </thead> <tbody> <tr> <td>Z(-25°C)/Z(20°C)</td> <td>2</td> <td>2</td> <td>2</td> <td>2</td> <td>2</td> <td>3</td> <td>5</td> <td>6</td> <td></td> </tr> <tr> <td>Z(-40°C)/Z(20°C)</td> <td>3</td> <td>3</td> <td>3</td> <td>3</td> <td>3</td> <td>—</td> <td>—</td> <td>—</td> <td></td> </tr> </tbody> </table> |   |      |                                   |      |           |                 |            |                   | Rated Voltage (Vdc) | 35 | 50 | 63 | 80  | 100     | 160~250  | 350, 400      | 420, 450 | (120Hz) | Z(-25°C)/Z(20°C) | 2    | 2    | 2    | 2    | 2    | 3 | 5 | 6 |  | Z(-40°C)/Z(20°C) | 3 | 3 | 3 | 3 | 3 | — | — | — |  |
|  | Rated Voltage (Vdc)  | 35  | 50   | 63                                | 80   | 100       | 160~250         | 350, 400   | 420, 450          | (120Hz)             |    |    |    |     |         |          |               |          |         |                  |      |      |      |      |      |   |   |   |  |                  |   |   |   |   |   |   |   |   |  |
|  | Z(-25°C)/Z(20°C)   | 2   | 2    | 2                                 | 2    | 2         | 3               | 5          | 6                 |                     |    |    |    |     |         |          |               |          |         |                  |      |      |      |      |      |   |   |   |  |                  |   |   |   |   |   |   |   |   |  |
| Z(-40°C)/Z(20°C)                               | 3  | 3   | 3    | 3                                 | 3    | —         | —               | —          |                   |                     |    |    |    |     |         |          |               |          |         |                  |      |      |      |      |      |   |   |   |  |                  |   |   |   |   |   |   |   |   |  |
|  |  |   |      |                                   |      |           |                 |            |                   |                     |    |    |    |     |         |          |               |          |         |                  |      |      |      |      |      |   |   |   |  |                  |   |   |   |   |   |   |   |   |  |

**◆MULTIPLIER FOR RIPPLE CURRENT**

35~100Vdc

| Frequency (Hz) |            | 120  | 1k   | 10k  | 100k≤ |
|----------------|------------|------|------|------|-------|
| Coefficient    | 33µF       | 0.42 | 0.70 | 0.90 | 1.00  |
|                | 39~270µF   | 0.50 | 0.73 | 0.92 | 1.00  |
|                | 330~680µF  | 0.55 | 0.77 | 0.94 | 1.00  |
|                | 820~1800µF | 0.60 | 0.80 | 0.96 | 1.00  |

160~450Vdc

| Frequency (Hz) |            | 60 (50) | 120  | 500  | 1k   | 10k≤ |
|----------------|------------|---------|------|------|------|------|
| Coefficient    | 160~250Vdc | 0.80    | 1.00 | 1.20 | 1.30 | 1.40 |
|                | 350~450Vdc | 0.80    | 1.00 | 1.25 | 1.40 | 1.50 |

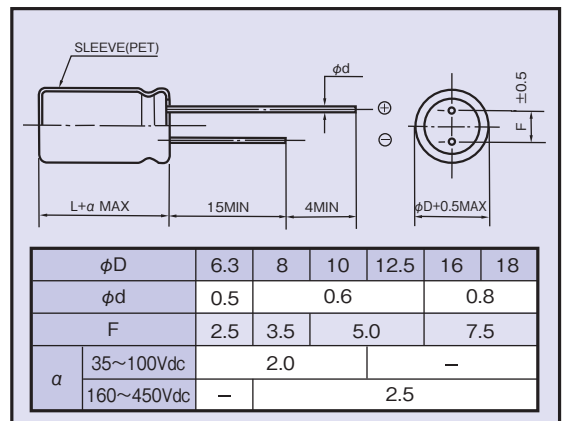
**◆OPTION**

|            |            | Code  |
|------------|------------|-------|
| PET Sleeve | 35~100Vdc  | EFC   |
|            | 160~450Vdc | EFR * |

\*PET Sleeve -25~+105°C (EFC) is also available, please consult our sales offices.

**◆DIMENSIONS**

(mm)


**◆PART NUMBER**

|               |        |             |                       |        |              |           |
|---------------|--------|-------------|-----------------------|--------|--------------|-----------|
| □□□           | TXW    | □□□□        | M                     | □□□    | □□           | DXL       |
| Rated Voltage | Series | Capacitance | Capacitance Tolerance | Option | Lead Forming | Case Size |

**◆STANDARD SIZE**

| Rated Voltage (Vdc) | Capacitance (μF) | Size φD×L (mm) | Rated Ripple Current (A r.m.s./105°C) |        |
|---------------------|------------------|----------------|---------------------------------------|--------|
|                     |                  |                | 120Hz                                 | 100kHz |
| 35                  | 180              | 6.3×25         | 0.605                                 | 1.21   |
|                     | 220              | 6.3×30         | 0.685                                 | 1.37   |
|                     | 330              | 6.3×40         | 0.924                                 | 1.68   |
|                     | 390              | 6.3×50         | 1.11                                  | 2.02   |
|                     | 390              | 8×25           | 0.951                                 | 1.73   |
|                     | 470              | 8×30           | 1.11                                  | 2.03   |
|                     | 680              | 8×40           | 1.41                                  | 2.57   |
|                     | 820              | 8×50           | 1.82                                  | 3.04   |
|                     | 820              | 10×30          | 1.48                                  | 2.47   |
|                     | 1000             | 8×60           | 2.08                                  | 3.48   |
|                     | 1200             | 10×40          | 1.87                                  | 3.12   |
|                     | 1500             | 10×50          | 2.21                                  | 3.69   |
| 1800                | 10×60            | 2.50           | 4.17                                  |        |
| 50                  | 100              | 6.3×25         | 0.510                                 | 1.02   |
|                     | 120              | 6.3×30         | 0.580                                 | 1.16   |
|                     | 180              | 6.3×40         | 0.710                                 | 1.42   |
|                     | 220              | 6.3×50         | 0.860                                 | 1.72   |
|                     | 220              | 8×25           | 0.740                                 | 1.48   |
|                     | 270              | 8×30           | 0.870                                 | 1.74   |
|                     | 390              | 8×40           | 1.22                                  | 2.23   |
|                     | 470              | 8×50           | 1.45                                  | 2.65   |
|                     | 470              | 10×30          | 1.22                                  | 2.22   |
|                     | 560              | 8×60           | 1.68                                  | 3.07   |
|                     | 680              | 10×40          | 1.55                                  | 2.82   |
|                     | 820              | 10×50          | 2.02                                  | 3.37   |
| 1000                | 10×60            | 2.31           | 3.86                                  |        |
| 63                  | 82               | 6.3×25         | 0.455                                 | 0.910  |
|                     | 100              | 6.3×30         | 0.515                                 | 1.03   |
|                     | 150              | 6.3×40         | 0.635                                 | 1.27   |
|                     | 180              | 6.3×50         | 0.775                                 | 1.55   |
|                     | 180              | 8×25           | 0.665                                 | 1.33   |
|                     | 220              | 8×30           | 0.785                                 | 1.57   |
|                     | 330              | 8×40           | 1.11                                  | 2.02   |
|                     | 390              | 8×50           | 1.32                                  | 2.41   |
|                     | 390              | 10×30          | 1.16                                  | 2.10   |
|                     | 470              | 8×60           | 1.54                                  | 2.80   |
|                     | 560              | 10×40          | 1.43                                  | 2.60   |
|                     | 680              | 10×50          | 1.71                                  | 3.12   |
| 820                 | 10×60            | 2.15           | 3.59                                  |        |
| 80                  | 47               | 6.3×25         | 0.455                                 | 0.910  |
|                     | 56               | 6.3×30         | 0.515                                 | 1.03   |
|                     | 82               | 6.3×40         | 0.635                                 | 1.27   |
|                     | 100              | 6.3×50         | 0.775                                 | 1.55   |
|                     | 100              | 8×25           | 0.665                                 | 1.33   |
|                     | 120              | 8×30           | 0.785                                 | 1.57   |
|                     | 180              | 8×40           | 1.01                                  | 2.02   |
|                     | 220              | 8×50           | 1.20                                  | 2.41   |
|                     | 220              | 10×30          | 1.05                                  | 2.10   |
|                     | 270              | 8×60           | 1.40                                  | 2.80   |
|                     | 270              | 10×40          | 1.30                                  | 2.60   |
|                     | 390              | 10×50          | 1.71                                  | 3.12   |
| 470                 | 10×60            | 1.97           | 3.59                                  |        |
| 100                 | 33               | 6.3×25         | 0.382                                 | 0.910  |
|                     | 39               | 6.3×30         | 0.515                                 | 1.03   |
|                     | 56               | 6.3×40         | 0.635                                 | 1.27   |
|                     | 68               | 6.3×50         | 0.775                                 | 1.55   |
|                     | 82               | 8×25           | 0.665                                 | 1.33   |
|                     | 100              | 8×30           | 0.785                                 | 1.57   |
|                     | 120              | 8×40           | 1.01                                  | 2.02   |
|                     | 150              | 8×50           | 1.20                                  | 2.41   |
|                     | 150              | 10×30          | 1.05                                  | 2.10   |

| Rated Voltage (Vdc) | Capacitance (μF) | Size φD×L (mm) | Rated Ripple Current (A r.m.s./105°C) |        |
|---------------------|------------------|----------------|---------------------------------------|--------|
|                     |                  |                | 120Hz                                 | 100kHz |
| 100                 | 220              | 8×60           | 1.40                                  | 2.80   |
|                     | 220              | 10×40          | 1.30                                  | 2.60   |
|                     | 270              | 10×50          | 1.56                                  | 3.12   |
|                     | 330              | 10×60          | 1.97                                  | 3.59   |
|                     | 56               | 8×25           | 0.32                                  | 0.448  |
| 160                 | 68               | 8×30           | 0.37                                  | 0.518  |
|                     | 82               | 8×35           | 0.43                                  | 0.602  |
|                     | 82               | 10×25          | 0.43                                  | 0.602  |
|                     | 100              | 8×40           | 0.49                                  | 0.686  |
|                     | 120              | 8×55           | 0.57                                  | 0.798  |
|                     | 120              | 10×30          | 0.54                                  | 0.756  |
|                     | 150              | 10×40          | 0.67                                  | 0.938  |
|                     | 150              | 12.5×25        | 0.66                                  | 0.924  |
|                     | 180              | 10×50          | 0.80                                  | 1.12   |
|                     | 180              | 12.5×30        | 0.77                                  | 1.07   |
|                     | 220              | 10×60          | 0.94                                  | 1.31   |
|                     | 220              | 12.5×35        | 0.89                                  | 1.24   |
|                     | 220              | 16×25          | 0.93                                  | 1.30   |
|                     | 270              | 12.5×40        | 1.01                                  | 1.41   |
|                     | 330              | 12.5×50        | 1.20                                  | 1.68   |
|                     | 330              | 16×30          | 1.20                                  | 1.68   |
|                     | 330              | 18×25          | 1.18                                  | 1.65   |
|                     | 390              | 12.5×55        | 1.35                                  | 1.89   |
|                     | 390              | 16×35          | 1.34                                  | 1.87   |
|                     | 390              | 18×30          | 1.40                                  | 1.96   |
|                     | 470              | 16×40          | 1.52                                  | 2.12   |
|                     | 470              | 18×35          | 1.58                                  | 2.21   |
|                     | 560              | 16×50          | 1.79                                  | 2.50   |
| 560                 | 18×40            | 1.78           | 2.49                                  |        |
| 680                 | 18×45            | 2.00           | 2.80                                  |        |
| 820                 | 18×50            | 2.23           | 3.12                                  |        |
| 200                 | 39               | 8×25           | 0.30                                  | 0.420  |
|                     | 56               | 8×30           | 0.37                                  | 0.518  |
|                     | 68               | 8×40           | 0.45                                  | 0.630  |
|                     | 68               | 10×25          | 0.43                                  | 0.602  |
|                     | 82               | 8×45           | 0.51                                  | 0.714  |
|                     | 82               | 10×30          | 0.50                                  | 0.700  |
|                     | 100              | 8×55           | 0.60                                  | 0.840  |
|                     | 100              | 10×40          | 0.63                                  | 0.882  |
|                     | 120              | 10×45          | 0.75                                  | 1.05   |
|                     | 120              | 12.5×25        | 0.65                                  | 0.910  |
|                     | 150              | 10×50          | 0.83                                  | 1.16   |
|                     | 150              | 12.5×30        | 0.80                                  | 1.12   |
|                     | 180              | 10×60          | 0.91                                  | 1.27   |
|                     | 180              | 12.5×35        | 0.92                                  | 1.28   |
|                     | 180              | 16×25          | 0.85                                  | 1.19   |
|                     | 220              | 12.5×45        | 1.09                                  | 1.52   |
|                     | 220              | 16×30          | 1.01                                  | 1.41   |
|                     | 220              | 18×25          | 1.00                                  | 1.40   |
|                     | 270              | 12.5×50        | 1.26                                  | 1.76   |
|                     | 270              | 16×30          | 1.18                                  | 1.65   |
|                     | 270              | 18×30          | 1.16                                  | 1.62   |
|                     | 330              | 12.5×60        | 1.36                                  | 1.90   |
|                     | 330              | 16×40          | 1.31                                  | 1.83   |
| 330                 | 18×30            | 1.30           | 1.82                                  |        |
| 390                 | 16×45            | 1.43           | 2.00                                  |        |
| 390                 | 18×35            | 1.43           | 2.00                                  |        |
| 470                 | 16×50            | 1.58           | 2.21                                  |        |
| 470                 | 18×40            | 1.58           | 2.21                                  |        |
| 560                 | 18×45            | 1.77           | 2.47                                  |        |

\*When ordering 8x55, 8x60, 10x55, 10x60 size, please consult our sales offices.

**◆STANDARD SIZE**

| Rated Voltage (Vdc) | Capacitance (μF) | Size φD×L (mm) | Rated Ripple Current (A r.m.s./105°C) |        |
|---------------------|------------------|----------------|---------------------------------------|--------|
|                     |                  |                | 120Hz                                 | 100kHz |
| 220                 | 100              | 10×40          | 0.66                                  | 0.924  |
|                     | 120              | 10×45          | 0.75                                  | 1.05   |
|                     | 120              | 12.5×30        | 0.74                                  | 1.03   |
|                     | 150              | 12.5×35        | 0.86                                  | 1.20   |
|                     | 150              | 16×25          | 0.80                                  | 1.12   |
|                     | 180              | 12.5×40        | 0.99                                  | 1.38   |
|                     | 180              | 16×30          | 0.94                                  | 1.31   |
|                     | 220              | 12.5×50        | 1.08                                  | 1.51   |
|                     | 220              | 16×30          | 1.01                                  | 1.41   |
|                     | 220              | 18×25          | 0.94                                  | 1.31   |
|                     | 270              | 16×35          | 1.19                                  | 1.66   |
|                     | 270              | 18×30          | 1.13                                  | 1.58   |
|                     | 330              | 18×35          | 1.30                                  | 1.82   |
|                     | 390              | 18×40          | 1.49                                  | 2.08   |
| 470                 | 18×45            | 1.69           | 2.36                                  |        |
| 250                 | 27               | 8×25           | 0.30                                  | 0.420  |
|                     | 39               | 8×30           | 0.37                                  | 0.518  |
|                     | 47               | 8×35           | 0.45                                  | 0.630  |
|                     | 47               | 10×25          | 0.37                                  | 0.518  |
|                     | 56               | 8×40           | 0.51                                  | 0.714  |
|                     | 56               | 10×30          | 0.42                                  | 0.588  |
|                     | 68               | 8×50           | 0.59                                  | 0.826  |
|                     | 68               | 10×35          | 0.49                                  | 0.686  |
|                     | 82               | 10×40          | 0.61                                  | 0.854  |
|                     | 82               | 12.5×25        | 0.54                                  | 0.756  |
|                     | 100              | 10×45          | 0.68                                  | 0.952  |
|                     | 100              | 12.5×30        | 0.69                                  | 0.966  |
|                     | 120              | 10×55          | 0.73                                  | 1.02   |
|                     | 120              | 12.5×35        | 0.79                                  | 1.10   |
|                     | 120              | 16×25          | 0.74                                  | 1.03   |
|                     | 150              | 12.5×40        | 0.92                                  | 1.28   |
|                     | 150              | 16×30          | 0.89                                  | 1.24   |
|                     | 180              | 12.5×50        | 0.97                                  | 1.35   |
|                     | 180              | 16×30          | 0.95                                  | 1.33   |
|                     | 180              | 18×25          | 0.88                                  | 1.23   |
|                     | 220              | 12.5×55        | 1.13                                  | 1.58   |
|                     | 220              | 16×35          | 1.11                                  | 1.55   |
|                     | 220              | 18×30          | 1.10                                  | 1.54   |
|                     | 270              | 16×40          | 1.27                                  | 1.77   |
| 270                 | 18×35            | 1.23           | 1.72                                  |        |
| 330                 | 16×50            | 1.48           | 2.07                                  |        |
| 330                 | 18×40            | 1.42           | 1.98                                  |        |
| 390                 | 18×45            | 1.59           | 2.22                                  |        |
| 470                 | 18×50            | 1.83           | 2.56                                  |        |
| 350                 | 22               | 8×30           | 0.25                                  | 0.375  |
|                     | 27               | 8×35           | 0.29                                  | 0.435  |
|                     | 33               | 8×40           | 0.33                                  | 0.495  |
|                     | 33               | 10×25          | 0.31                                  | 0.465  |
|                     | 39               | 8×45           | 0.37                                  | 0.555  |
|                     | 39               | 10×30          | 0.36                                  | 0.540  |
|                     | 47               | 8×60           | 0.43                                  | 0.645  |
|                     | 47               | 10×35          | 0.41                                  | 0.615  |
|                     | 56               | 10×40          | 0.47                                  | 0.705  |
|                     | 68               | 10×55          | 0.55                                  | 0.825  |
| 400                 | 12               | 8×25           | 0.17                                  | 0.255  |
|                     | 15               | 8×30           | 0.20                                  | 0.300  |
|                     | 18               | 8×35           | 0.23                                  | 0.345  |
|                     | 22               | 8×40           | 0.26                                  | 0.390  |
|                     | 22               | 10×25          | 0.24                                  | 0.360  |
|                     | 27               | 8×45           | 0.30                                  | 0.450  |

| Rated Voltage (Vdc) | Capacitance (μF) | Size φD×L (mm) | Rated Ripple Current (A r.m.s./105°C) |        |       |
|---------------------|------------------|----------------|---------------------------------------|--------|-------|
|                     |                  |                | 120Hz                                 | 100kHz |       |
| 400                 | 27               | 10×30          | 0.29                                  | 0.435  |       |
|                     | 33               | 8×55           | 0.35                                  | 0.525  |       |
|                     | 33               | 10×35          | 0.33                                  | 0.495  |       |
|                     | 39               | 10×40          | 0.40                                  | 0.600  |       |
|                     | 39               | 12.5×25        | 0.36                                  | 0.540  |       |
|                     | 47               | 10×45          | 0.45                                  | 0.675  |       |
|                     | 47               | 12.5×30        | 0.44                                  | 0.660  |       |
|                     | 56               | 10×50          | 0.52                                  | 0.780  |       |
|                     | 56               | 12.5×35        | 0.50                                  | 0.750  |       |
|                     | 68               | 12.5×40        | 0.58                                  | 0.870  |       |
|                     | 68               | 16×25          | 0.51                                  | 0.765  |       |
|                     | 82               | 12.5×45        | 0.65                                  | 0.975  |       |
|                     | 82               | 16×30          | 0.61                                  | 0.915  |       |
|                     | 82               | 18×25          | 0.61                                  | 0.915  |       |
|                     | 100              | 12.5×60        | 0.75                                  | 1.12   |       |
|                     | 100              | 16×35          | 0.74                                  | 1.11   |       |
|                     | 100              | 18×30          | 0.74                                  | 1.11   |       |
|                     | 120              | 16×40          | 0.80                                  | 1.20   |       |
|                     | 120              | 18×35          | 0.79                                  | 1.18   |       |
|                     | 150              | 16×50          | 0.95                                  | 1.42   |       |
|                     | 150              | 18×40          | 0.91                                  | 1.36   |       |
|                     | 180              | 18×45          | 1.04                                  | 1.56   |       |
|                     | 420              | 12             | 8×30                                  | 0.13   | 0.195 |
|                     |                  | 15             | 8×35                                  | 0.17   | 0.255 |
| 18                  |                  | 8×40           | 0.20                                  | 0.300  |       |
| 22                  |                  | 8×50           | 0.25                                  | 0.375  |       |
| 33                  |                  | 10×40          | 0.37                                  | 0.555  |       |
| 39                  |                  | 10×45          | 0.41                                  | 0.615  |       |
| 39                  |                  | 12.5×30        | 0.39                                  | 0.585  |       |
| 47                  |                  | 12.5×35        | 0.45                                  | 0.675  |       |
| 56                  |                  | 12.5×40        | 0.52                                  | 0.780  |       |
| 56                  |                  | 16×25          | 0.46                                  | 0.690  |       |
| 68                  |                  | 12.5×45        | 0.58                                  | 0.870  |       |
| 68                  |                  | 16×30          | 0.55                                  | 0.825  |       |
| 82                  |                  | 12.5×50        | 0.66                                  | 0.990  |       |
| 82                  |                  | 16×35          | 0.63                                  | 0.945  |       |
| 82                  |                  | 18×25          | 0.56                                  | 0.840  |       |
| 100                 |                  | 16×40          | 0.73                                  | 1.09   |       |
| 100                 |                  | 18×30          | 0.67                                  | 1.00   |       |
| 120                 |                  | 18×35          | 0.77                                  | 1.15   |       |
| 150                 | 18×40            | 0.90           | 1.35                                  |        |       |
| 450                 | 12               | 8×30           | 0.15                                  | 0.225  |       |
|                     | 15               | 8×40           | 0.19                                  | 0.285  |       |
|                     | 18               | 8×45           | 0.21                                  | 0.315  |       |
|                     | 33               | 10×40          | 0.36                                  | 0.540  |       |
|                     | 33               | 12.5×30        | 0.37                                  | 0.555  |       |
|                     | 39               | 10×50          | 0.41                                  | 0.615  |       |
|                     | 39               | 12.5×35        | 0.42                                  | 0.630  |       |
|                     | 47               | 12.5×40        | 0.48                                  | 0.720  |       |
|                     | 47               | 16×25          | 0.44                                  | 0.660  |       |
|                     | 56               | 12.5×45        | 0.53                                  | 0.795  |       |
|                     | 56               | 16×30          | 0.51                                  | 0.765  |       |
|                     | 68               | 12.5×50        | 0.62                                  | 0.930  |       |
|                     | 68               | 16×35          | 0.59                                  | 0.885  |       |
|                     | 68               | 18×25          | 0.57                                  | 0.855  |       |
|                     | 82               | 16×40          | 0.68                                  | 1.02   |       |
|                     | 82               | 18×30          | 0.65                                  | 0.975  |       |
|                     | 100              | 18×35          | 0.74                                  | 1.11   |       |
|                     | 120              | 18×40          | 0.83                                  | 1.24   |       |
| 150                 | 18×45            | 0.95           | 1.42                                  |        |       |

\*When ordering 8x55, 8x60, 10x55, 10x60 size, please consult our sales offices.

## X-ON Electronics

Largest Supplier of Electrical and Electronic Components

*Click to view similar products for [Aluminium Electrolytic Capacitors - Radial Leaded](#) category:*

*Click to view products by [Rubycon](#) manufacturer:*

Other Similar products are found below :

[NRELS102M35V16X16C.140LLF](#) [ESRG160ETC100MD07D](#) [227RZS050M](#) [335CKR250M](#) [476CKH100MSA](#) [477CKR100M](#)  
[107CKR010M](#) [107CKH063MSA](#) [RJH-25V222MI9#](#) [RJH-35V221MG5#](#) [B43827A1106M8](#) [RJH-50V221MH6#](#) [EKYA500ELL470MF11D](#)  
[B41022A5686M6](#) [ESRG250ELL101MH09D](#) [EKMA160EC3101MF07D](#) [RJB-10V471MG3#](#) [ESMG160ETD221MF11D](#)  
[EKZH160ETD152MJ20S](#) [RJH-35V122MJ6#](#) [EGXF630ELL621ML20S](#) [RBD-25V100KE3#N](#) [EKMA350ELL100ME07D](#)  
[ESMG160ETD101ME11D](#) [ELXY100ETD102MJ20S](#) [EGXF500ELL561ML15S](#) [EKMG350ETD471MJ16S](#) [35YXA330MEFC10X12.5](#)  
[RXW471M1ESA-0815](#) [ELXZ630ELL221MJ25S](#) [ERR1HM1R0D11OT](#) [LPE681M30060FVA](#) [LPL471M22030FVA](#) [HFE221M25030FVA](#)  
[LKMD1401H221MF](#) [B41888G6108M000](#) [EKMA160ETD470MF07D](#) [UHW1J102MHD6](#) [EKMG500ETD221MJC5S](#) [LKMK2502W101MF](#)  
[LKMD1401H181MF](#) [LKMI2502G820MF](#) [LKMJ2001J122MF](#) [LKML2501C472MF](#) [LKMJ4002C681MF](#) [450MXH330MEFCSN25X45](#)  
[450MXK330MA2RFC22X50](#) [63ZLH560MEFCG412.5X30](#) [ELH2DM331O25KT](#) [ELH2DM471P30KT](#)