

**MXH SERIES**

**UPGRADE**

**105°C Miniaturized**

\*Load Life : 105°C 2000 hours.

RoHS compliance



**◆SPECIFICATIONS**

Items	Characteristics							
Category Temperature Range	-25~+105°C							
Rated Voltage Range	400~550Vdc							
Capacitance Tolerance	±20% (20°C, 120Hz)							
Leakage Current(MAX)	$I=3\sqrt{CV}$ (After 5 minutes application of rated voltage) I=Leakage Current(μA)      C=Capacitance(μF)      V=Rated Voltage(Vdc)							
Dissipation Factor(MAX) (tanδ)	<table border="1"> <tr> <td>Rated Voltage (Vdc)</td> <td>400~450</td> <td>475~550</td> <td rowspan="2">(20°C, 120Hz)</td> </tr> <tr> <td>tanδ</td> <td>0.20</td> <td>0.25</td> </tr> </table>	Rated Voltage (Vdc)	400~450	475~550	(20°C, 120Hz)	tanδ	0.20	0.25
Rated Voltage (Vdc)	400~450	475~550	(20°C, 120Hz)					
tanδ	0.20	0.25						
Endurance	After applying rated voltage with rated ripple current for 2000 hours at 105°C, the capacitors shall meet the following requirements. <table border="1"> <tr> <td>Capacitance Change</td> <td>Within ±20% of the initial value.</td> </tr> <tr> <td>Dissipation Factor</td> <td>Not more than 200% of the specified value.</td> </tr> <tr> <td>Leakage Current</td> <td>Not more than the specified value.</td> </tr> </table>	Capacitance Change	Within ±20% of the initial value.	Dissipation Factor	Not more than 200% of the specified value.	Leakage Current	Not more than the specified value.	
Capacitance Change	Within ±20% of the initial value.							
Dissipation Factor	Not more than 200% of the specified value.							
Leakage Current	Not more than the specified value.							
Low Temperature Stability Impedance Ratio(MAX)	<table border="1"> <tr> <td>Rated Voltage (Vdc)</td> <td>400~450</td> <td>475~550</td> <td rowspan="2">(120Hz)</td> </tr> <tr> <td>Z(-25°C)/Z(20°C)</td> <td>8</td> <td>12</td> </tr> </table>	Rated Voltage (Vdc)	400~450	475~550	(120Hz)	Z(-25°C)/Z(20°C)	8	12
Rated Voltage (Vdc)	400~450	475~550	(120Hz)					
Z(-25°C)/Z(20°C)	8	12						

**◆MULTIPLIER FOR RIPPLE CURRENT**

Frequency (Hz)	60(50)	120(100)	300	500	1k	10k≤
Coefficient	0.80	1.00	1.15	1.20	1.25	1.40

**◆OPTION**

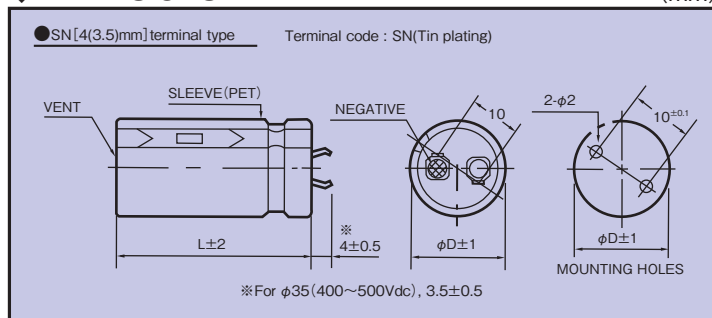
	Code
PET Sleeve without plate	EFC

**◆PART NUMBER**

□□□ / MXH / □□□□□ / M / □□□ / SN / DXL  
 Rated Voltage      Series      Capacitance      Capacitance Tolerance      Option      Terminal Code      Case Size

**◆DIMENSIONS**

(mm)



**◆ STANDARD SIZE**

Vdc Cap(μF) φD	400							420								
	φ22	φ25	φ30	φ35	φ35	φ30	φ25	φ22	φ25	φ30	φ35	φ35	φ30	φ25	φ22	
100								22×25	0.85							
120	22×25	0.92						22×30	0.98							
150	22×30	1.08						22×30	1.06	25×25	1.04					
180	22×30	1.15	25×25	1.12				22×35	1.20	25×30	1.20					
220	22×35	1.32	25×30	1.30				22×40	1.37	25×30	1.28	30×25	1.24			
270	22×40	1.50	25×35	1.49	30×25	1.33		22×50	1.62	25×35	1.47	30×30	1.44	35×25	1.32	
330	22×50	1.76	25×40	1.68	30×30	1.55	35×25	1.44	22×60	1.87	25×45	1.75	30×35	1.65	35×30	1.56
390	22×55	1.94	25×45	1.86	30×35	1.75	35×30	1.63			25×50	1.93	30×40	1.84	35×30	1.62
470			25×50	2.07	30×40	1.97	35×30	1.68			25×60	2.21	30×45	2.05	35×35	1.86
560			25×60	2.37	30×45	2.18	35×35	1.92					30×50	2.25	35×40	2.10
680					30×50	2.41	35×40	2.15					30×60	2.59	35×45	2.29
820					30×60	2.76	35×45	2.37							35×50	2.50
1000							35×55	2.78							35×60	2.88
1200							35×60	2.95								

Vdc Cap(μF) φD	450							475							
	φ22	φ25	φ30	φ35	φ35	φ30	φ25	φ22	φ25	φ30	φ35	φ35	φ30	φ25	φ22
68								22×25	0.67						
82								22×30	0.77						
100	22×25	0.85						22×35	0.88	25×25	0.83				
120	22×30	0.98	25×25	0.96				22×40	0.99	25×30	0.96				
150	22×35	1.13	25×30	1.12				22×45	1.14	25×35	1.10	30×25	1.04		
180	22×40	1.28	25×30	1.20	30×25	1.18		22×50	1.27	25×40	1.24	30×30	1.19	35×25	1.15
220	22×45	1.44	25×35	1.37	30×30	1.36		22×60	1.47	25×45	1.40	30×35	1.36	35×30	1.33
270	22×50	1.61	25×40	1.56	30×30	1.44	35×25	1.33		25×55	1.62	30×40	1.54	35×35	1.52
330	22×60	1.86	25×50	1.82	30×35	1.64	35×30	1.54				30×45	1.73	35×40	1.71
390			25×55	2.01	30×40	1.83	35×35	1.76				30×55	1.98	35×40	1.79
470			25×60	2.21	30×45	2.05	35×40	1.97				30×60	2.18	35×50	2.09
560					30×50	2.26	35×45	2.18						35×55	2.29
680					30×60	2.59	35×50	2.38							
820							35×60	2.74							

Vdc Cap(μF) φD	500							550				
	φ22	φ25	φ30	φ35	φ35	φ30	φ25	φ30	φ35	φ35	φ30	
56	22×25	0.63										
68	22×30	0.72										
82	22×30	0.80	25×25	0.78								
100	22×35	0.92	25×30	0.90				30×25	0.8			
120	22×40	1.03	25×35	1.02	30×25	0.97		30×30	0.93	35×25	0.92	
150	22×50	1.20	25×40	1.17	30×30	1.13	35×25	1.09	30×35	1.07	35×30	1.05
180	22×60	1.37	25×45	1.31	30×35	1.28	35×30	1.26	30×40	1.21	35×30	1.14
220			25×50	1.46	30×40	1.45	35×35	1.44	30×45	1.36	35×35	1.3
270			25×60	1.70	30×45	1.63	35×35	1.52	30×55	1.57	35×40	1.47
330					30×50	1.81	35×40	1.71			35×50	1.72
390					30×60	2.06	35×50	1.99			35×55	1.88
470							35×55	2.19				

↑ ↑  
Ripple Current (A r.m.s./120Hz, 105°C)  
Case Size φD×L(mm)

## X-ON Electronics

Largest Supplier of Electrical and Electronic Components

*Click to view similar products for [Aluminium Electrolytic Capacitors - Radial Leaded](#) category:*

*Click to view products by [Rubycon](#) manufacturer:*

Other Similar products are found below :

[NRELS102M35V16X16C.140LLF](#) [ESRG160ETC100MD07D](#) [227RZS050M](#) [335CKR250M](#) [476CKH100MSA](#) [477CKR100M](#)  
[107CKR010M](#) [107CKH063MSA](#) [RJH-25V222MI9#](#) [RJH-35V221MG5#](#) [B43827A1106M8](#) [RJH-50V221MH6#](#) [EKYA500ELL470MF11D](#)  
[B41022A5686M6](#) [ESRG250ELL101MH09D](#) [EKMA160EC3101MF07D](#) [RJB-10V471MG3#](#) [ESMG160ETD221MF11D](#)  
[EKZH160ETD152MJ20S](#) [RJH-35V122MJ6#](#) [EGXF630ELL621ML20S](#) [RBD-25V100KE3#N](#) [EKMA350ELL100ME07D](#)  
[ESMG160ETD101ME11D](#) [ELXY100ETD102MJ20S](#) [EGXF500ELL561ML15S](#) [EKMG350ETD471MJ16S](#) [35YXA330MEFC10X12.5](#)  
[RXW471M1ESA-0815](#) [ELXZ630ELL221MJ25S](#) [ERR1HM1R0D11OT](#) [LPE681M30060FVA](#) [LPL471M22030FVA](#) [HFE221M25030FVA](#)  
[LKMD1401H221MF](#) [B41888G6108M000](#) [EKMA160ETD470MF07D](#) [UHW1J102MHD6](#) [EKMG500ETD221MJC5S](#) [LKMK2502W101MF](#)  
[LKMD1401H181MF](#) [LKMI2502G820MF](#) [LKMJ2001J122MF](#) [LKML2501C472MF](#) [LKMJ4002C681MF](#) [450MXH330MEFCSN25X45](#)  
[450MXK330MA2RFC22X50](#) [63ZLH560MEFCG412.5X30](#) [ELH2DM331O25KT](#) [ELH2DM471P30KT](#)