

MXK series

105°C 3000 時間 超小型品  
Load Life : 105°C 3000 hours ,Ultra Miniaturized



◆規格表 / SPECIFICATIONS

| 項目 Item  | 特性 Characteristics   |            |                               |   |         |                              |  |          |                         |   |          |               |       |                   |      |      |      |      |      |      |      |
|--|--|------------|-------------------------------|---|---------|------------------------------|--|----------|-------------------------|---|----------|---------------|-------|-------------------|------|------|------|------|------|------|------|
| カテゴリ温度範囲<br>Category Temperature Range                                   | -40~+105°C   | -25~+105°C |                               |   |         |                              |  |          |                         |   |          |               |       |                   |      |      |      |      |      |      |      |
| 定格電圧範囲<br>Rated Voltage Range  | 16~250Vdc  | 400~500Vdc |                               |   |         |                              |  |          |                         |   |          |               |       |                   |      |      |      |      |      |      |      |
| 静電容量許容差<br>Capacitance Tolerance   | ±20% (20°C, 120Hz)   |            |                               |   |         |                              |  |          |                         |   |          |               |       |                   |      |      |      |      |      |      |      |
| 漏れ電流<br>Leakage Current (MAX)  | $I=3\sqrt{CV}$ 又は5mAいずれかの小なる値(定格電圧印加5分後)<br>$I=3\sqrt{CV}$ or 5mA whichever is smaller(After 5 minutes application of rated voltage)<br>I=漏れ電流(μA) C=静電容量(μF) V=定格電圧(Vdc)<br>Leakage Current Capacitance Rated Voltage   |            |                               |   |         |                              |  |          |                         |   |          |               |       |                   |      |      |      |      |      |      |      |
| 損失角の正接(tan δ)<br>Dissipation Factor (MAX)                                | <table border="1"> <tr> <td>定格電圧 (Vdc)<br/>Rated Voltage</td> <td>16</td> <td>25</td> <td>35</td> <td>50</td> <td>63</td> <td>80~100</td> <td>160~450</td> <td>475, 500</td> <td rowspan="2">(20°C, 120Hz)</td> </tr> <tr> <td>tan δ</td> <td>0.50</td> <td>0.45</td> <td>0.40</td> <td>0.35</td> <td>0.30</td> <td>0.25</td> <td>0.20</td> <td>0.25</td> </tr> </table>                                 |            | 定格電圧 (Vdc)<br>Rated Voltage   | 16  | 25      | 35                           | 50   | 63       | 80~100                  | 160~450                                     | 475, 500 | (20°C, 120Hz) | tan δ | 0.50              | 0.45 | 0.40 | 0.35 | 0.30 | 0.25 | 0.20 | 0.25 |
| 定格電圧 (Vdc)<br>Rated Voltage  | 16   | 25         | 35                            | 50  | 63      | 80~100                       | 160~450  | 475, 500 | (20°C, 120Hz)           |   |          |               |       |                   |      |      |      |      |      |      |      |
| tan δ  | 0.50   | 0.45       | 0.40                          | 0.35  | 0.30    | 0.25                         | 0.20   | 0.25     |                         |   |          |               |       |                   |      |      |      |      |      |      |      |
| 耐久性<br>Endurance   | 105°C中で3000時間定格電圧(リップル重畳)印加後、下記項目を満足すること。<br>After applying rated voltage with rated ripple current for 3000 hours at 105°C, the capacitors shall meet the following requirements.   |            |                               |   |         |                              |  |          |                         |   |          |               |       |                   |      |      |      |      |      |      |      |
|  | <table border="1"> <tr> <td>静電容量変化率<br/>Capacitance Change</td> <td colspan="2">初期値の ±20% 以内<br/>Within ±20% of the initial value.</td> </tr> <tr> <td>損失角の正接<br/>Dissipation Factor</td> <td colspan="2">規格値の 200% 以下<br/>Not more than 200% of the specified value.</td> </tr> <tr> <td>漏れ電流<br/>Leakage Current</td> <td colspan="2">規格値以下<br/>Not more than the specified value.</td> </tr> </table> |            | 静電容量変化率<br>Capacitance Change | 初期値の ±20% 以内<br>Within ±20% of the initial value. |         | 損失角の正接<br>Dissipation Factor | 規格値の 200% 以下<br>Not more than 200% of the specified value. |          | 漏れ電流<br>Leakage Current | 規格値以下<br>Not more than the specified value. |          |               |       |                   |      |      |      |      |      |      |      |
| 静電容量変化率<br>Capacitance Change  | 初期値の ±20% 以内<br>Within ±20% of the initial value.  |            |                               |   |         |                              |  |          |                         |   |          |               |       |                   |      |      |      |      |      |      |      |
| 損失角の正接<br>Dissipation Factor   | 規格値の 200% 以下<br>Not more than 200% of the specified value.   |            |                               |   |         |                              |  |          |                         |   |          |               |       |                   |      |      |      |      |      |      |      |
| 漏れ電流<br>Leakage Current  | 規格値以下<br>Not more than the specified value.  |            |                               |   |         |                              |  |          |                         |   |          |               |       |                   |      |      |      |      |      |      |      |
| 低温特性<br>Low Temperature Stability<br>(インピーダンス比)<br>Impedance Ratio (MAX) | <table border="1"> <tr> <td>定格電圧 (Vdc)<br/>Rated Voltage</td> <td>16~100</td> <td>160~250</td> <td>400~450</td> <td>475, 500</td> <td rowspan="3">(120Hz)</td> </tr> <tr> <td>Z(-25°C)/Z(+20°C)</td> <td>3</td> <td>4</td> <td>8</td> <td>10</td> </tr> <tr> <td>Z(-40°C)/Z(+20°C)</td> <td>12</td> <td>15</td> <td>-</td> <td>-</td> </tr> </table>   |            | 定格電圧 (Vdc)<br>Rated Voltage   | 16~100  | 160~250 | 400~450                      | 475, 500   | (120Hz)  | Z(-25°C)/Z(+20°C)       | 3   | 4        | 8             | 10    | Z(-40°C)/Z(+20°C) | 12   | 15   | -    | -    |      |      |      |
| 定格電圧 (Vdc)<br>Rated Voltage  | 16~100   | 160~250    | 400~450                       | 475, 500  | (120Hz) |                              |  |          |                         |   |          |               |       |                   |      |      |      |      |      |      |      |
| Z(-25°C)/Z(+20°C)  | 3  | 4          | 8                             | 10  |         |                              |  |          |                         |   |          |               |       |                   |      |      |      |      |      |      |      |
| Z(-40°C)/Z(+20°C)  | 12   | 15         | -                             | -   |         |                              |  |          |                         |   |          |               |       |                   |      |      |      |      |      |      |      |

◆呼称方法 / PART NUMBER

MXK  M  D x L  
 定格電圧 シリーズ名 静電容量 静電容量許容差 副記号 端子記号 ケースサイズ  
 Rated Voltage Series Capacitance Capacitance Tolerance Option Terminal Code Case Size

◆リップル電流補正係数 /

MULTIPLIER FOR RIPPLE CURRENT

| 周波数 (Hz)<br>Frequency | 60<br>(50) | 120<br>(100) | 300  | 500  | 1k   | 10k ≤ |
|-----------------------|------------|--------------|------|------|------|-------|
| 16~100Vdc             | 0.90       | 1.00         | 1.03 | 1.05 | 1.10 | 1.15  |
| 160~250Vdc            | 0.80       | 1.00         | 1.15 | 1.20 | 1.30 | 1.50  |
| 400~500Vdc            | 0.80       | 1.00         | 1.15 | 1.20 | 1.25 | 1.40  |

◆副記号 / OPTION

EFC : PET スリーブ、底板なし  
PET Sleeve without plate

◆端子記号 / Terminal Code

SN : 標準端子 Standard Terminal

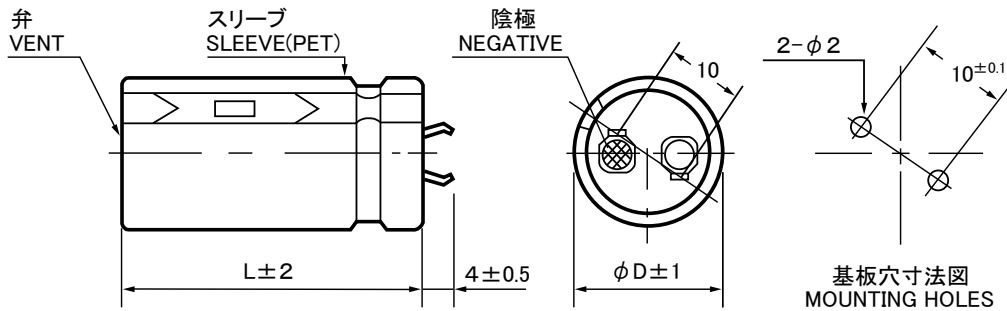
その他の形状は端子形状一覧を御確認ください。  
For other type, please refer to the list of terminal type.

◆寸法図／DIMENSIONS

●SN[4mm]端子タイプ  
SN[4mm]terminal type

端子記号 : SN(錫メッキ)  
Terminal code : SN(Tin plating)

(mm)



◆標準品一覧表／STANDARD SIZE

| Cap.<br>( $\mu$ F) | 16Vdc     |           |           |           | 25Vdc     |           |           |           |
|--------------------|-----------|-----------|-----------|-----------|-----------|-----------|-----------|-----------|
|                    | $\phi 22$ | $\phi 25$ | $\phi 30$ | $\phi 35$ | $\phi 22$ | $\phi 25$ | $\phi 30$ | $\phi 35$ |
| 8200               |           |           |           |           | 22×25     | 2.91      |           |           |
| 10000              |           |           |           |           | 22×30     | 3.41      |           |           |
| 12000              |           |           |           |           | 22×30     | 3.34      | 25×25     | 2.82      |
| 15000              | 22×25     | 2.90      |           |           | 22×35     | 3.75      | 25×30     | 3.33      |
| 18000              | 22×30     | 3.43      | 25×25     | 2.91      | 22×40     | 4.14      | 25×35     | 3.78      |
| 22000              | 22×35     | 3.87      | 25×30     | 3.44      | 22×50     | 4.88      | 25×40     | 4.14      |
| 27000              | 22×40     | 4.25      | 25×30     | 3.27      | 22×55     | 5.12      | 25×45     | 4.44      |
| 33000              | 22×45     | 4.57      | 25×35     | 3.69      |           |           | 30×30     | 5.13      |
| 39000              | 22×50     | 4.88      | 25×40     | 4.08      |           |           | 30×35     | 5.76      |
| 47000              | 22×60     | 5.50      | 25×50     | 4.87      |           |           | 30×40     | 6.30      |
| 56000              |           |           | 30×30     | 5.27      |           |           | 35×35     | 5.76      |
| 68000              |           |           | 30×30     | 5.14      |           |           | 25×50     | 4.72      |
| 82000              |           |           | 30×35     | 5.78      |           |           | 30×45     | 6.79      |
|                    |           |           | 35×30     | 5.07      |           |           | 35×35     | 5.55      |
|                    |           |           | 35×30     | 5.76      |           |           | 30×50     | 7.20      |
|                    |           |           | 35×35     | 5.76      |           |           | 35×40     | 6.09      |
|                    |           |           | 30×40     | 6.34      |           |           | 35×40     | 6.09      |
|                    |           |           | 30×40     | 6.34      |           |           | 35×45     | 6.57      |
|                    |           |           | 30×50     | 7.40      |           |           | 35×55     | 7.52      |
|                    |           |           | 30×55     | 7.76      |           |           |           |           |
|                    |           |           | 35×45     | 6.76      |           |           |           |           |
| Cap.<br>( $\mu$ F) | 35Vdc     |           |           |           | 50Vdc     |           |           |           |
|                    | $\phi 22$ | $\phi 25$ | $\phi 30$ | $\phi 35$ | $\phi 22$ | $\phi 25$ | $\phi 30$ | $\phi 35$ |
| 3300               |           |           |           |           | 22×25     | 2.47      |           |           |
| 3900               |           |           |           |           | 22×30     | 2.90      |           |           |
| 4700               |           |           |           |           | 22×30     | 2.89      | 25×25     | 2.48      |
| 5600               | 22×25     | 2.80      |           |           | 22×35     | 3.27      | 25×30     | 2.94      |
| 6800               | 22×30     | 3.29      |           |           | 22×40     | 3.63      | 25×35     | 3.34      |
| 8200               | 22×35     | 3.72      | 25×25     | 2.73      | 22×50     | 4.28      | 25×40     | 3.69      |
| 10000              | 22×40     | 4.10      | 25×30     | 3.22      | 22×55     | 4.55      | 25×45     | 3.99      |
| 12000              | 22×45     | 4.44      | 25×35     | 3.66      |           |           | 30×25     | 3.79      |
| 15000              | 22×50     | 4.72      | 25×40     | 3.99      |           |           | 30×30     | 4.43      |
| 18000              | 22×60     | 5.33      | 25×45     | 4.33      |           |           | 35×25     | 3.82      |
| 22000              |           |           | 30×30     | 5.04      |           |           | 35×25     | 3.82      |
| 27000              |           |           | 30×30     | 4.94      |           |           | 35×30     | 4.52      |
| 33000              |           |           | 30×35     | 5.57      |           |           | 35×30     | 4.95      |
| 39000              |           |           | 30×35     | 5.57      |           |           | 35×35     | 5.58      |
| 47000              |           |           | 30×40     | 6.10      |           |           | 35×40     | 6.10      |
|                    |           |           | 30×40     | 6.10      |           |           | 35×45     | 6.55      |
|                    |           |           | 30×50     | 7.12      |           |           | 35×50     | 6.45      |
|                    |           |           | 30×55     | 7.49      |           |           | 35×60     | 7.26      |
|                    |           |           | 35×45     | 6.55      |           |           |           |           |
|                    |           |           | 35×50     | 6.95      |           |           |           |           |
|                    |           |           | 35×60     | 7.82      |           |           |           |           |
| Cap.<br>( $\mu$ F) | 63Vdc     |           |           |           | 80Vdc     |           |           |           |
|                    | $\phi 22$ | $\phi 25$ | $\phi 30$ | $\phi 35$ | $\phi 22$ | $\phi 25$ | $\phi 30$ | $\phi 35$ |
| 1800               |           |           |           |           | 22×25     | 2.21      |           |           |
| 2200               | 22×25     | 2.28      |           |           | 22×30     | 2.59      | 25×25     | 2.32      |
| 2700               | 22×30     | 2.67      |           |           | 22×35     | 2.94      | 25×30     | 2.72      |
| 3300               | 22×30     | 2.70      | 25×25     | 2.38      | 22×40     | 3.27      | 25×30     | 2.70      |
| 3900               | 22×35     | 3.06      | 25×30     | 2.80      | 22×45     | 3.58      | 25×35     | 3.07      |
| 4700               | 22×40     | 3.40      | 25×35     | 3.18      | 22×50     | 3.89      | 25×40     | 3.41      |
| 5600               | 22×45     | 3.72      | 25×40     | 3.48      | 22×60     | 4.41      | 25×45     | 3.71      |
| 6800               | 22×55     | 4.29      | 25×45     | 3.81      |           |           | 30×25     | 3.39      |
| 8200               | 22×60     | 4.55      | 25×50     | 4.12      |           |           | 30×30     | 3.92      |
| 10000              |           |           | 30×25     | 3.53      |           |           | 30×30     | 3.99      |
| 12000              |           |           | 30×30     | 4.11      |           |           | 35×25     | 3.52      |
| 15000              |           |           | 30×30     | 4.11      |           |           | 35×25     | 3.65      |
| 18000              |           |           | 30×35     | 4.64      |           |           | 22×60     | 4.41      |
| 22000              |           |           | 35×25     | 3.65      |           |           | 25×45     | 3.71      |
|                    |           |           | 35×30     | 4.29      |           |           | 25×55     | 4.30      |
|                    |           |           | 35×30     | 4.29      |           |           | 30×35     | 4.50      |
|                    |           |           | 35×30     | 4.24      |           |           | 30×40     | 4.99      |
|                    |           |           | 35×35     | 4.80      |           |           | 35×35     | 4.69      |
|                    |           |           | 35×35     | 4.80      |           |           | 35×40     | 5.19      |
|                    |           |           | 30×45     | 5.60      |           |           | 30×45     | 5.44      |
|                    |           |           | 30×45     | 5.60      |           |           | 35×40     | 5.19      |
|                    |           |           | 30×50     | 6.03      |           |           | 30×55     | 6.23      |
|                    |           |           | 30×50     | 6.03      |           |           | 35×45     | 5.63      |
|                    |           |           | 30×60     | 6.80      |           |           | 35×50     | 6.04      |
|                    |           |           | 35×45     | 5.72      |           |           | 35×60     | 6.80      |
|                    |           |           | 35×55     | 6.59      |           |           |           |           |
|                    |           |           | 35×60     | 6.92      |           |           |           |           |

ケースサイズ Case Size  $\phi D \times L$ (mm)  $\rightarrow$   
リップル電流 Ripple Current (A.r.m.s./120Hz,105°C)  $\rightarrow$

### ◆標準品一覧表／STANDARD SIZE

| Cap.<br>( $\mu$ F) | 100Vdc    |      |           |      |           |      |           |      | 160Vdc    |      |           |      |           |      |           |      |
|--------------------|-----------|------|-----------|------|-----------|------|-----------|------|-----------|------|-----------|------|-----------|------|-----------|------|
|                    | $\phi$ 22 |      | $\phi$ 25 |      | $\phi$ 30 |      | $\phi$ 35 |      | $\phi$ 22 |      | $\phi$ 25 |      | $\phi$ 30 |      | $\phi$ 35 |      |
| 560                |           |      |           |      |           |      |           |      | 22×25     | 1.60 |           |      |           |      |           |      |
| 680                |           |      |           |      |           |      |           |      | 22×30     | 1.87 | 25×25     | 1.72 |           |      |           |      |
| 820                |           |      |           |      |           |      |           |      | 22×35     | 2.14 | 25×30     | 1.92 |           |      |           |      |
| 1000               | 22×25     | 2.01 |           |      |           |      |           |      | 22×40     | 2.42 | 25×30     | 2.07 | 30×25     | 1.84 |           |      |
| 1200               | 22×30     | 2.33 |           |      |           |      |           |      | 22×45     | 2.69 | 25×35     | 2.36 | 30×30     | 2.00 |           |      |
| 1500               | 22×30     | 2.41 | 25×25     | 2.17 |           |      |           |      | 22×55     | 3.17 | 25×40     | 2.67 | 30×30     | 2.16 | 35×25     | 1.77 |
| 1800               | 22×35     | 2.74 | 25×30     | 2.54 |           |      |           |      | 22×60     | 3.46 | 25×50     | 3.18 | 30×35     | 2.46 | 35×30     | 2.13 |
| 2200               | 22×40     | 3.05 | 25×35     | 2.89 | 30×25     | 3.15 |           |      |           |      | 25×55     | 3.48 | 30×40     | 2.77 | 35×35     | 2.45 |
| 2700               | 22×50     | 3.59 | 25×40     | 3.21 | 30×30     | 3.67 | 35×25     | 3.31 |           |      |           |      | 30×50     | 3.32 | 35×40     | 2.73 |
| 3300               | 22×55     | 3.89 | 25×45     | 3.51 | 30×35     | 4.15 | 35×30     | 3.88 |           |      |           |      | 30×55     | 3.59 | 35×45     | 2.96 |
| 3900               |           |      | 25×50     | 3.79 | 30×40     | 4.60 | 35×30     | 3.89 |           |      |           |      |           |      | 35×50     | 3.23 |
| 4700               |           |      | 25×60     | 4.31 | 30×45     | 5.04 | 35×35     | 4.40 |           |      |           |      |           |      | 35×60     | 3.72 |
| 5600               |           |      |           |      | 30×50     | 5.46 | 35×40     | 4.87 |           |      |           |      |           |      |           |      |
| 6800               |           |      |           |      | 30×60     | 6.16 | 35×45     | 5.32 |           |      |           |      |           |      |           |      |
| 8200               |           |      |           |      |           |      | 35×55     | 6.10 |           |      |           |      |           |      |           |      |

| Cap.<br>( $\mu$ F) | 180Vdc    |      |           |      |           |      |           |      | 200Vdc    |      |           |      |           |      |           |      |
|--------------------|-----------|------|-----------|------|-----------|------|-----------|------|-----------|------|-----------|------|-----------|------|-----------|------|
|                    | $\phi$ 22 |      | $\phi$ 25 |      | $\phi$ 30 |      | $\phi$ 35 |      | $\phi$ 22 |      | $\phi$ 25 |      | $\phi$ 30 |      | $\phi$ 35 |      |
| 470                | 22×25     | 1.53 |           |      |           |      |           |      | 22×25     | 1.53 |           |      |           |      |           |      |
| 560                | 22×30     | 1.75 |           |      |           |      |           |      | 22×30     | 1.78 | 25×25     | 1.65 |           |      |           |      |
| 680                | 22×30     | 1.87 | 25×25     | 1.70 |           |      |           |      | 22×35     | 2.04 | 25×30     | 1.85 |           |      |           |      |
| 820                | 22×35     | 2.13 | 25×30     | 2.00 |           |      |           |      | 22×40     | 2.30 | 25×30     | 1.99 | 30×25     | 1.79 |           |      |
| 1000               | 22×40     | 2.41 | 25×35     | 2.29 | 30×25     | 1.79 |           |      | 22×45     | 2.58 | 25×35     | 2.28 | 30×30     | 1.94 |           |      |
| 1200               | 22×50     | 2.85 | 25×40     | 2.58 | 30×30     | 2.13 | 35×25     | 1.79 | 22×50     | 2.85 | 25×40     | 2.56 | 30×30     | 2.10 | 35×25     | 1.75 |
| 1500               | 22×60     | 3.32 | 25×45     | 2.87 | 30×35     | 2.44 | 35×30     | 1.91 |           |      | 25×50     | 3.06 | 30×35     | 2.41 | 35×30     | 2.09 |
| 1800               |           |      | 25×55     | 3.36 | 30×40     | 2.73 | 35×30     | 2.09 |           |      | 25×60     | 3.52 | 30×45     | 2.99 | 35×35     | 2.41 |
| 2200               |           |      |           |      | 30×45     | 3.00 | 35×35     | 2.38 |           |      |           |      | 30×50     | 3.22 | 35×40     | 2.66 |
| 2700               |           |      |           |      | 30×55     | 3.53 | 35×45     | 2.99 |           |      |           |      | 30×60     | 3.72 | 35×45     | 2.91 |
| 3300               |           |      |           |      |           |      | 35×50     | 3.21 |           |      |           |      |           |      | 35×55     | 3.43 |
| 3900               |           |      |           |      |           |      | 35×55     | 3.45 |           |      |           |      |           |      | 35×60     | 3.66 |

| Cap.<br>( $\mu$ F) | 220Vdc    |      |           |      |           |      |           |      | 250Vdc    |      |           |      |           |      |           |      |
|--------------------|-----------|------|-----------|------|-----------|------|-----------|------|-----------|------|-----------|------|-----------|------|-----------|------|
|                    | $\phi$ 22 |      | $\phi$ 25 |      | $\phi$ 30 |      | $\phi$ 35 |      | $\phi$ 22 |      | $\phi$ 25 |      | $\phi$ 30 |      | $\phi$ 35 |      |
| 330                |           |      |           |      |           |      |           |      | 22×25     | 1.38 |           |      |           |      |           |      |
| 390                | 22×25     | 1.46 |           |      |           |      |           |      | 22×30     | 1.58 |           |      |           |      |           |      |
| 470                | 22×30     | 1.70 |           |      |           |      |           |      | 22×30     | 1.68 | 25×25     | 1.55 |           |      |           |      |
| 560                | 22×35     | 1.93 | 25×25     | 1.64 |           |      |           |      | 22×35     | 1.91 | 25×30     | 1.81 |           |      |           |      |
| 680                | 22×40     | 2.19 | 25×30     | 1.91 |           |      |           |      | 22×40     | 2.16 | 25×35     | 2.07 | 30×25     | 1.66 |           |      |
| 820                | 22×45     | 2.44 | 25×35     | 2.19 | 30×25     | 1.74 |           |      | 22×50     | 2.55 | 25×40     | 2.33 | 30×30     | 1.97 | 35×25     | 1.68 |
| 1000               | 22×50     | 2.72 | 25×40     | 2.47 | 30×30     | 2.06 | 35×25     | 1.74 | 22×55     | 2.82 | 25×45     | 2.59 | 30×35     | 2.26 | 35×30     | 1.89 |
| 1200               | 22×60     | 3.13 | 25×45     | 2.74 | 30×35     | 2.36 | 35×30     | 2.09 |           |      | 25×50     | 2.86 | 30×40     | 2.51 | 35×30     | 1.94 |
| 1500               |           |      | 25×55     | 3.22 | 30×40     | 2.64 | 35×35     | 2.22 |           |      |           |      | 30×45     | 2.76 | 35×35     | 2.22 |
| 1800               |           |      |           |      | 30×45     | 2.91 | 35×35     | 2.34 |           |      |           |      | 30×50     | 3.03 | 35×40     | 2.49 |
| 2200               |           |      |           |      | 30×55     | 3.42 | 35×45     | 2.92 |           |      |           |      | 30×60     | 3.49 | 35×50     | 3.00 |
| 2700               |           |      |           |      |           |      | 35×50     | 3.13 |           |      |           |      |           |      | 35×55     | 3.23 |
| 3300               |           |      |           |      |           |      | 35×60     | 3.62 |           |      |           |      |           |      |           |      |

| Cap.<br>( $\mu$ F) | 400Vdc    |      |           |      |           |      |           |      | 420Vdc    |      |           |      |           |      |           |      |
|--------------------|-----------|------|-----------|------|-----------|------|-----------|------|-----------|------|-----------|------|-----------|------|-----------|------|
|                    | $\phi$ 22 |      | $\phi$ 25 |      | $\phi$ 30 |      | $\phi$ 35 |      | $\phi$ 22 |      | $\phi$ 25 |      | $\phi$ 30 |      | $\phi$ 35 |      |
| 120                |           |      |           |      |           |      |           |      | 22×25     | 0.95 |           |      |           |      |           |      |
| 150                | 22×25     | 1.03 |           |      |           |      |           |      | 22×25     | 1.02 |           |      |           |      |           |      |
| 180                | 22×30     | 1.19 | 25×25     | 1.15 |           |      |           |      | 22×30     | 1.20 | 25×25     | 1.16 |           |      |           |      |
| 220                | 22×30     | 1.26 | 25×25     | 1.20 |           |      |           |      | 22×35     | 1.38 | 25×30     | 1.35 |           |      |           |      |
| 270                | 22×35     | 1.37 | 25×30     | 1.32 |           |      |           |      | 22×40     | 1.57 | 25×35     | 1.55 | 30×25     | 1.36 |           |      |
| 330                | 22×45     | 1.77 | 25×35     | 1.65 | 30×25     | 1.39 |           |      | 22×45     | 1.72 | 25×35     | 1.61 | 30×30     | 1.59 | 35×25     | 1.45 |
| 390                | 22×50     | 1.97 | 25×40     | 1.85 | 30×30     | 1.65 | 35×25     | 1.48 | 22×50     | 1.85 | 25×40     | 1.76 | 30×30     | 1.61 | 35×25     | 1.45 |
| 470                | 22×55     | 2.11 | 25×45     | 2.07 | 30×35     | 1.89 | 35×30     | 1.69 | 22×60     | 2.19 | 25×50     | 2.18 | 30×35     | 1.85 | 35×30     | 1.72 |
| 560                | 22×60     | 2.20 | 25×55     | 2.32 | 30×40     | 2.12 | 35×30     | 1.75 |           |      | 25×55     | 2.32 | 30×40     | 2.07 | 35×35     | 1.97 |
| 680                |           |      | 25×60     | 2.56 | 30×45     | 2.35 | 35×35     | 2.00 |           |      | 25×60     | 2.43 | 30×45     | 2.27 | 35×35     | 1.97 |
| 820                |           |      |           |      | 30×50     | 2.53 | 35×40     | 2.21 |           |      |           |      | 30×45     | 2.29 | 35×40     | 2.22 |
| 1000               |           |      |           |      | 30×55     | 2.66 | 35×45     | 2.48 |           |      |           |      | 30×50     | 2.50 | 35×40     | 2.22 |
| 1200               |           |      |           |      | 30×60     | 2.91 | 35×50     | 2.70 |           |      |           |      | 30×55     | 2.68 | 35×45     | 2.45 |
|                    |           |      |           |      |           |      | 35×55     | 2.85 |           |      |           |      | 30×60     | 2.79 | 35×45     | 2.45 |
|                    |           |      |           |      |           |      | 35×60     | 2.99 |           |      |           |      |           |      | 35×50     | 2.64 |
|                    |           |      |           |      |           |      |           |      |           |      |           |      |           |      | 35×55     | 2.76 |
|                    |           |      |           |      |           |      |           |      |           |      |           |      |           |      | 35×60     | 3.03 |

ケースサイズ Case Size  $\phi D \times L$ (mm)  $\rightarrow$   
 リプル電流 Ripple Current (A.r.m.s./120Hz, 105°C)  $\rightarrow$

### ◆標準品一覧表 / STANDARD SIZE

| Cap.<br>( $\mu$ F) | 450Vdc    |      |           |      |           |      |           |       | 475Vdc    |      |           |      |           |      |           |      |
|--------------------|-----------|------|-----------|------|-----------|------|-----------|-------|-----------|------|-----------|------|-----------|------|-----------|------|
|                    | $\phi$ 22 |      | $\phi$ 25 |      | $\phi$ 30 |      | $\phi$ 35 |       | $\phi$ 22 |      | $\phi$ 25 |      | $\phi$ 30 |      | $\phi$ 35 |      |
| 82                 |           |      |           |      |           |      |           |       | 22x25     | 0.79 |           |      |           |      |           |      |
| 100                |           |      |           |      |           |      |           |       | 22x30     | 0.90 | 25x25     | 0.90 |           |      |           |      |
| 120                | 22x25     | 0.95 |           |      |           |      |           |       | 22x25     | 0.84 | 25x30     | 1.02 |           |      |           |      |
|                    |           |      |           |      |           |      |           | 22x30 | 0.97      |      |           |      |           |      |           |      |
| 150                | 22x30     | 1.12 | 25x25     | 1.08 |           |      |           |       | 22x30     | 1.00 | 25x25     | 0.98 | 30x25     | 1.11 |           |      |
|                    |           |      |           |      |           |      |           |       | 22x35     | 1.13 |           |      |           |      | 25x30     | 1.12 |
| 180                | 22x30     | 1.17 | 25x25     | 1.14 |           |      |           |       | 22x35     | 1.14 | 25x30     | 1.13 | 30x30     | 1.27 |           |      |
|                    |           |      |           |      | 22x35     | 1.27 | 25x30     | 1.24  | 22x40     | 1.27 |           |      |           |      | 25x35     | 1.27 |
| 220                | 22x35     | 1.34 | 25x30     | 1.34 | 30x25     | 1.29 |           |       | 22x40     | 1.30 | 25x35     | 1.29 | 30x25     | 1.18 | 35x25     | 1.27 |
|                    |           |      |           |      |           |      | 22x40     | 1.45  | 22x45     | 1.44 |           |      |           |      |           |      |
| 270                | 22x40     | 1.53 | 25x35     | 1.54 | 30x25     | 1.34 |           |       | 22x45     | 1.45 | 25x40     | 1.47 | 30x30     | 1.38 | 35x25     | 1.30 |
|                    |           |      |           |      |           |      | 22x45     | 1.65  | 22x55     | 1.68 |           |      |           |      |           |      |
| 330                | 22x50     | 1.81 | 25x40     | 1.72 | 30x30     | 1.58 | 35x25     | 1.42  | 22x55     | 1.72 | 25x45     | 1.67 | 30x35     | 1.59 | 35x30     | 1.57 |
|                    |           |      |           |      |           |      |           |       |           |      |           |      |           |      |           |      |
| 390                | 22x55     | 1.98 | 25x45     | 1.91 | 30x35     | 1.80 | 35x30     | 1.68  |           |      | 25x50     | 1.84 | 30x40     | 1.85 | 35x30     | 1.57 |
|                    |           |      |           |      |           |      |           |       | 22x60     | 2.07 |           |      |           |      |           |      |
| 470                |           |      | 25x55     | 2.21 | 30x40     | 2.02 | 35x30     | 1.69  |           |      | 25x60     | 2.13 | 30x45     | 1.99 | 35x35     | 1.79 |
|                    |           |      |           |      |           |      |           |       | 35x35     | 1.92 |           |      |           |      |           |      |
| 560                |           |      | 25x60     | 2.41 | 30x45     | 2.24 | 35x35     | 1.92  |           |      |           |      | 30x50     | 2.18 | 35x40     | 2.00 |
|                    |           |      |           |      |           |      |           |       | 35x40     | 2.15 | 30x55     | 2.38 |           |      |           |      |
| 680                |           |      |           |      | 30x50     | 2.41 | 35x40     | 2.16  |           |      |           |      | 30x60     | 2.52 | 35x45     | 2.20 |
|                    |           |      |           |      |           |      |           |       | 30x55     | 2.54 | 35x45     | 2.38 |           |      |           |      |
| 820                |           |      |           |      | 30x60     | 2.77 | 35x45     | 2.36  |           |      |           |      |           |      | 35x55     | 2.59 |
|                    |           |      |           |      |           |      |           |       | 35x50     | 2.59 | 35x60     | 2.80 |           |      |           |      |
| 1000               |           |      |           |      |           |      | 35x55     | 2.78  |           |      |           |      |           |      |           |      |
|                    |           |      |           |      |           |      | 35x60     | 2.90  |           |      |           |      |           |      |           |      |

| Cap.<br>( $\mu$ F) | 500Vdc    |      |           |      |           |      |           |      |
|--------------------|-----------|------|-----------|------|-----------|------|-----------|------|
|                    | $\phi$ 22 |      | $\phi$ 25 |      | $\phi$ 30 |      | $\phi$ 35 |      |
| 68                 | 22x25     | 0.73 |           |      |           |      |           |      |
| 82                 | 22x30     | 0.83 |           |      |           |      |           |      |
| 100                | 22x25     | 0.80 |           |      |           |      |           |      |
|                    | 22x30     | 0.91 |           |      |           |      |           |      |
| 120                | 22x30     | 0.92 | 25x30     | 1.03 |           |      |           |      |
|                    | 22x35     | 1.03 |           |      |           |      |           |      |
| 150                | 22x40     | 1.18 | 25x25     | 0.96 |           |      |           |      |
|                    |           |      | 25x30     | 1.12 |           |      |           |      |
| 180                | 22x35     | 1.13 | 25x30     | 1.13 | 30x30     | 1.28 | 35x25     | 1.20 |
|                    | 22x45     | 1.33 | 25x35     | 1.28 |           |      |           |      |
| 220                | 22x45     | 1.37 | 25x35     | 1.30 | 30x25     | 1.18 | 35x30     | 1.42 |
|                    | 22x50     | 1.50 | 25x40     | 1.45 | 30x30     | 1.36 |           |      |
| 270                | 22x50     | 1.55 | 25x40     | 1.49 | 30x30     | 1.38 | 35x25     | 1.29 |
|                    | 22x60     | 1.73 | 25x50     | 1.70 | 30x35     | 1.56 | 35x30     | 1.50 |
| 330                | 22x60     | 1.78 | 25x50     | 1.76 | 30x35     | 1.57 | 35x30     | 1.51 |
|                    |           |      | 25x55     | 1.90 | 30x40     | 1.76 | 35x35     | 1.71 |
| 390                |           |      | 25x55     | 1.91 | 30x45     | 1.95 | 35x35     | 1.72 |
|                    |           |      |           |      |           |      | 35x40     | 1.91 |
| 470                |           |      |           |      | 30x50     | 2.09 | 35x40     | 1.93 |
|                    |           |      |           |      |           |      | 30x55     | 2.26 |
| 560                |           |      |           |      | 30x55     | 2.28 | 35x45     | 2.13 |
|                    |           |      |           |      |           |      | 30x60     | 2.47 |
| 680                |           |      |           |      |           |      | 35x50     | 2.34 |
|                    |           |      |           |      |           |      | 35x55     | 2.56 |
| 820                |           |      |           |      |           |      | 35x60     | 2.68 |

ケースサイズ Case Size  $\phi$ D × L(mm)

リップル電流 Ripple Current (A.r.m.s./120Hz, 105°C)

## X-ON Electronics

Largest Supplier of Electrical and Electronic Components

*Click to view similar products for [Aluminium Electrolytic Capacitors - Snap In](#) category:*

*Click to view products by [Rubycon](#) manufacturer:*

Other Similar products are found below :

[NRLF103M25V35X20F](#) [EET-XB2W221LA](#) [LGQ2C681MELEDE](#) [108LMB200M2ED](#) [B41231C4229M](#) [LGM2W181MELA25](#) [MVK-25VC33-M-6.3\\*5](#) [ALC40F1012DH](#) [ALC40E1004EL](#) [LGZ2W151MELB40](#) [LGZ2W271MELC45](#) [LGZ2W221MELC40](#) [LGZ2W151MELC30](#) [LGZ2W121MELC25](#) [ALA8DA561EF500](#) [DCMC142T250AB2A](#) [ESMH630VSN123MA45U](#) [ESMH630VRT183MB50U](#) [E81D251VNN331MQ35U](#) [ELXS451VNN820MP25S](#) [ESMM181VSN402QA70U](#) [ELXG160VNN562MP25S](#) [ELXG160VSN562MP25S](#) [ESMH160VNN104MA80U](#) [450MXG82MEFCSN22X25](#) [EKMW421VSN391MQ45S](#) [KN821M25035\\*30C](#) [152EC0351](#) [152EC0343](#) [152EC0354](#) [TLS450V220M35\\*25](#) [KS200M821SI225\\*35TA-1B1ET](#) [KM450M101SI222\\*30TA-1A3ET](#) [400MXC220MEFCSN35X25](#) [TDA63V4700M22\\*50 V](#) [HP221M450N350AP4](#) [152EC0329](#) [LAO-50V103MS45PX#B](#) [152EC0566](#) [KN331M45035\\*30A](#) [KN821M45035\\*56P4](#) [450USC330MEFCSN25X50](#) [152EC0327](#) [HP471M250N300AP4](#) [TLS500V100M25.4\\*30 V](#) [KN331M40030\\*30A](#) [TLS315VS470M30\\*30 VS](#) [KM250M471SI225\\*35TA-1B3Et](#) [KS400M151SI222\\*30TA-1A1ET](#) [152EC0337](#)