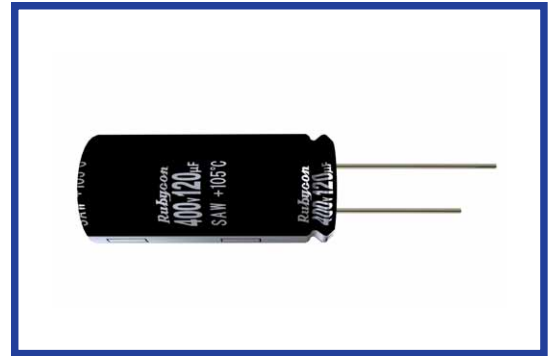


SAW SERIES
UPGRADE
105°C Overvoltage Venting Specification, Miniaturized

- Load Life : 105°C 2000 hours.
- This series has specification of vent operation in overvoltage situation.
Please consult us for any further details.

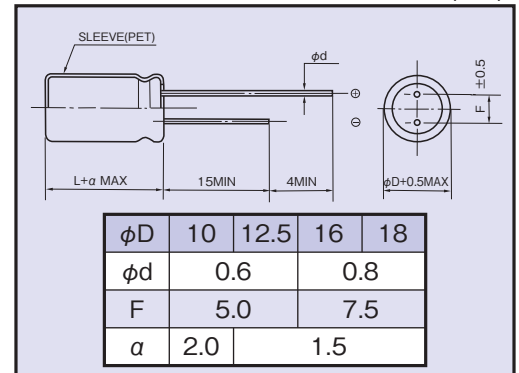
RoHS compliance


SPECIFICATIONS

Items	Characteristics								
Category Temperature Range	-25~+105°C								
Rated Voltage Range	200~450Vdc								
Capacitance Tolerance	±20% (20°C, 120Hz)								
Leakage Current(MAX)	$I=3\sqrt{CV}$ (After 5 minutes application of rated voltage) I =Leakage Current(μA) C =Capacitance(μF) V =Rated Voltage(Vdc)								
Dissipation Factor(MAX) (tanδ)	0.15 (20°C, 120Hz)								
Endurance	After applying rated voltage with rated ripple current for 2000 hours at 105°C, the capacitors shall meet the following requirements. <table border="1" style="margin-left: 20px;"> <tr> <td>Capacitance Change</td> <td>Within ±20% of the initial value.</td> </tr> <tr> <td>Dissipation Factor</td> <td>Not more than 200% of the specified value.</td> </tr> <tr> <td>Leakage Current</td> <td>Not more than the specified value.</td> </tr> </table>	Capacitance Change	Within ±20% of the initial value.	Dissipation Factor	Not more than 200% of the specified value.	Leakage Current	Not more than the specified value.		
Capacitance Change	Within ±20% of the initial value.								
Dissipation Factor	Not more than 200% of the specified value.								
Leakage Current	Not more than the specified value.								
Low Temperature Stability Impedance Ratio(MAX)	<table border="1" style="margin-left: 20px;"> <tr> <td>Rated Voltage (Vdc)</td> <td>200</td> <td>400, 450</td> <td>(120Hz)</td> </tr> <tr> <td>Z(-25°C)/Z(20°C)</td> <td>3</td> <td>8</td> <td></td> </tr> </table>	Rated Voltage (Vdc)	200	400, 450	(120Hz)	Z(-25°C)/Z(20°C)	3	8	
Rated Voltage (Vdc)	200	400, 450	(120Hz)						
Z(-25°C)/Z(20°C)	3	8							

DIMENSIONS

(mm)


STANDARD SIZE

Rated Voltage (Vdc)	Capacitance (μF)	Size φD×L (mm)	Rated Ripple Current (A r.m.s./105°C, 120Hz)
200	120	16×20	0.49
	150	18×20	0.53
	180	16×30	0.66
	180	18×25	0.62
	220	16×30	0.71
	220	18×25	0.71
400	270	18×30	0.81
	18	12.5×20	0.14
	22	12.5×25	0.16
	27	12.5×25	0.18
	27	16×20	0.19
	33	16×20	0.21
	39	16×25	0.25
	39	18×20	0.25
	47	16×25	0.28
	47	18×20	0.28
	56	16×30	0.30
	56	18×25	0.30
	68	16×35	0.35
	68	18×25	0.33
450	82	16×40	0.40
	82	18×30	0.38
	100	18×35	0.44
	120	18×40	0.50
	4.7	10×12.5	0.065
	10	10×20	0.11
	22	16×20	0.18
	33	16×25	0.23
	39	18×25	0.25
	47	18×25	0.32
56	18×35	0.45	
68	18×31.5	0.45	
68	18×35	0.47	
82	18×40	0.51	

MULTIPLIER FOR RIPPLE CURRENT

Frequency (Hz)		60 (50)	120	500	1k	10k≤
Coefficient	200Vdc	0.80	1.00	1.10	1.14	1.18
	400, 450Vdc	0.80	1.00	1.05	1.10	1.15

OPTION

	Code
PET Sleeve	EFC

PART NUMBER

□□□	SAW	□□□□□	M	□□□	□□	D×L
Rated Voltage	Series	Capacitance	Capacitance Tolerance	Option	Lead Forming	Case Size

X-ON Electronics

Largest Supplier of Electrical and Electronic Components

Click to view similar products for [Aluminium Electrolytic Capacitors - Radial Leaded](#) category:

Click to view products by [Rubycon](#) manufacturer:

Other Similar products are found below :

[NRELS102M35V16X16C.140LLF](#) [ESRG160ETC100MD07D](#) [227RZS050M](#) [335CKR250M](#) [476CKH100MSA](#) [477CKR100M](#)
[107CKR010M](#) [107CKH063MSA](#) [RJH-25V222MI9#](#) [RJH-35V221MG5#](#) [B43827A1106M8](#) [RJH-50V221MH6#](#) [EKYA500ELL470MF11D](#)
[B41022A5686M6](#) [ESRG250ELL101MH09D](#) [EKMA160EC3101MF07D](#) [RJB-10V471MG3#](#) [ESMG160ETD221MF11D](#)
[EKZH160ETD152MJ20S](#) [RJH-35V122MJ6#](#) [EGXF630ELL621ML20S](#) [RBD-25V100KE3#N](#) [EKMA350ELL100ME07D](#)
[ESMG160ETD101ME11D](#) [ELXY100ETD102MJ20S](#) [EGXF500ELL561ML15S](#) [EKMG350ETD471MJ16S](#) [35YXA330MEFC10X12.5](#)
[RXW471M1ESA-0815](#) [ELXZ630ELL221MJ25S](#) [ERR1HM1R0D11OT](#) [LPE681M30060FVA](#) [LPL471M22030FVA](#) [HFE221M25030FVA](#)
[LKMD1401H221MF](#) [B41888G6108M000](#) [EKMA160ETD470MF07D](#) [UHW1J102MHD6](#) [EKMG500ETD221MJC5S](#) [LKMK2502W101MF](#)
[LKMD1401H181MF](#) [LKMI2502G820MF](#) [LKMJ2001J122MF](#) [LKML2501C472MF](#) [LKMJ4002C681MF](#) [450MXH330MEFCSN25X45](#)
[450MXK330MA2RFC22X50](#) [63ZLH560MEFCG412.5X30](#) [ELH2DM331O25KT](#) [ELH2DM471P30KT](#)