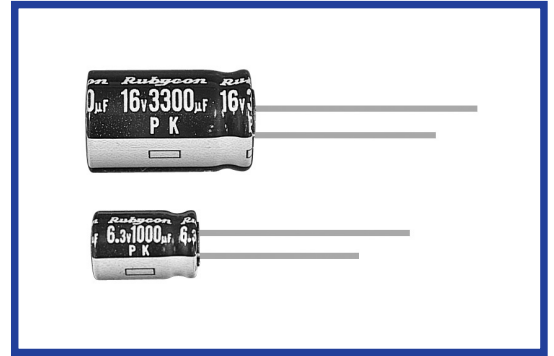


PK シリーズ
SERIES

85°C 標準品
85°C Standard

◆特長 / FEATURES

- ・85°C, 2000時間品。 Load life : 85°C 2000 hours.
- ・RoHS指令対応品。 RoHS compliance.



◆規格表 / SPECIFICATIONS

| 項目 Items | 特性 Characteristics | | | | | | | | | | | | | | | | | | | | | | | | | | | | | | | | | | | | | | | | | | |
|---|--|---|---|------|------|------|------|------|------|------|------|------|--------------------------|------|-----|---------|----|----|----|----|-----|-----|-----|-----|-----|-----|-----|------|------|------|------|------|------|------|------|------|------|------|------|------|------|------|---------------|
| カテゴリ温度範囲 Category Temperature Range | -40~+85°C | -25~+85°C | | | | | | | | | | | | | | | | | | | | | | | | | | | | | | | | | | | | | | | | | |
| 定格電圧範囲 Rated Voltage Range | 6.3~400V.DC | 450V.DC | | | | | | | | | | | | | | | | | | | | | | | | | | | | | | | | | | | | | | | | | |
| 静電容量許容差 Capacitance Tolerance | ±20%(20°C, 120Hz) | | | | | | | | | | | | | | | | | | | | | | | | | | | | | | | | | | | | | | | | | | |
| 漏れ電流 Leakage Current(MAX) | 6.3~100V.DC | 160~450V.DC | | | | | | | | | | | | | | | | | | | | | | | | | | | | | | | | | | | | | | | | | |
| | I=0.01CV又は3µAのいずれか大なる値以下 I=0.01CV or 3µA whichever is greater. (定格電圧印加2分後) (After 2 minutes application of rated voltage) | CV≤1000 | CV>1000 | | | | | | | | | | | | | | | | | | | | | | | | | | | | | | | | | | | | | | | | |
| | | I=0.1CV+40µA以下(1分値) I=0.1CV+40µA (1minute) I=0.03CV+15µA以下(5分値) I=0.03CV+15µA (5minutes) | I=0.04CV+100µA以下(1分値) I=0.04CV+100µA (1minute) I=0.02CV+25µA以下(5分値) I=0.02CV+25µA (5minutes) | | | | | | | | | | | | | | | | | | | | | | | | | | | | | | | | | | | | | | | | |
| | I=漏れ電流(µA) Leakage Current | C=定格静電容量(µF) Rated Capacitance | V=定格電圧(V) Rated Voltage | | | | | | | | | | | | | | | | | | | | | | | | | | | | | | | | | | | | | | | | |
| 損失角の正接 (tanδ) Dissipation Factor(MAX) | <table border="1"> <thead> <tr> <th>定格電圧(V) Rated Voltage</th> <th>6.3</th><th>10</th><th>16</th><th>25</th><th>35</th><th>50</th><th>63</th><th>100</th><th>160</th><th>200</th><th>250</th><th>350</th><th>400</th><th>450</th> </tr> </thead> <tbody> <tr> <td>tanδ</td> <td>0.28</td><td>0.24</td><td>0.20</td><td>0.16</td><td>0.14</td><td>0.12</td><td>0.10</td><td>0.10</td><td>0.20</td><td>0.20</td><td>0.20</td><td>0.25</td><td>0.25</td><td>0.25</td> </tr> </tbody> </table> | | | | | | | | | | | | 定格電圧(V) Rated Voltage | 6.3 | 10 | 16 | 25 | 35 | 50 | 63 | 100 | 160 | 200 | 250 | 350 | 400 | 450 | tanδ | 0.28 | 0.24 | 0.20 | 0.16 | 0.14 | 0.12 | 0.10 | 0.10 | 0.20 | 0.20 | 0.20 | 0.25 | 0.25 | 0.25 | (20°C, 120Hz) |
| | 定格電圧(V) Rated Voltage | 6.3 | 10 | 16 | 25 | 35 | 50 | 63 | 100 | 160 | 200 | 250 | 350 | 400 | 450 | | | | | | | | | | | | | | | | | | | | | | | | | | | | |
| tanδ | 0.28 | 0.24 | 0.20 | 0.16 | 0.14 | 0.12 | 0.10 | 0.10 | 0.20 | 0.20 | 0.20 | 0.25 | 0.25 | 0.25 | | | | | | | | | | | | | | | | | | | | | | | | | | | | | |
| | 1000µFを越えるものは1000µF増す毎に上表の値に0.02を加えた値とする。 When rated capacitance is over 1000µF, tanδ shall be added 0.02 to the listed value with increase of every 1000µF. | | | | | | | | | | | | | | | | | | | | | | | | | | | | | | | | | | | | | | | | | | |
| 耐久 Endurance | 85°C中2000時間定格電圧(リップル重畳)印加後、下記項目を満足すること。 After applying rated voltage with rated ripple current for 2000 hours at 85°C, the capacitors shall meet the following requirements. | | | | | | | | | | | | | | | | | | | | | | | | | | | | | | | | | | | | | | | | | | |
| | 静電容量変化率 Capacitance Change | 初期値の±25%以内 Within ±25% of the initial value. | | | | | | | | | | | | | | | | | | | | | | | | | | | | | | | | | | | | | | | | | |
| | 損失角の正接 Dissipation Factor | 規格値の200%以下 Not more than 200% of the specified value. | | | | | | | | | | | | | | | | | | | | | | | | | | | | | | | | | | | | | | | | | |
| 低温特性 Low Temperature Stability (インピーダンス比) Impedance Ratio(MAX) | 定格電圧(V) Rated Voltage | 6.3 | 10 | 16 | 25 | 35 | 50 | 63 | 100 | 160 | 200 | 250 | 350 | 400 | 450 | (120Hz) | | | | | | | | | | | | | | | | | | | | | | | | | | | |
| | Z(-25°C)/Z(20°C) | 5 | 4 | 3 | 2 | 2 | 2 | 2 | 2 | 3 | 3 | 4 | 5 | 5 | 7 | | | | | | | | | | | | | | | | | | | | | | | | | | | | |
| | Z(-40°C)/Z(20°C) | 12 | 10 | 8 | 5 | 4 | 3 | 3 | 3 | 4 | 4 | 8 | 8 | 10 | - | | | | | | | | | | | | | | | | | | | | | | | | | | | | |

◆リップル電流補正係数 / MULTIPLIER FOR RIPPLE CURRENT
周波数係数 Frequency Coefficient

| 周波数(Hz) Frequency | 60(50) | 120 | 500 | 1k | 10k≤ |
|----------------------|--------|------|------|------|------|
| 0.47~1µF | 0.50 | 1.00 | 1.20 | 1.30 | 1.50 |
| 2.2~4.7µF | 0.65 | 1.00 | 1.20 | 1.30 | 1.50 |
| 10~47µF | 0.80 | 1.00 | 1.20 | 1.30 | 1.50 |
| 100~1000µF | 0.80 | 1.00 | 1.10 | 1.15 | 1.20 |
| 2200~33000µF | 0.80 | 1.00 | 1.05 | 1.10 | 1.15 |

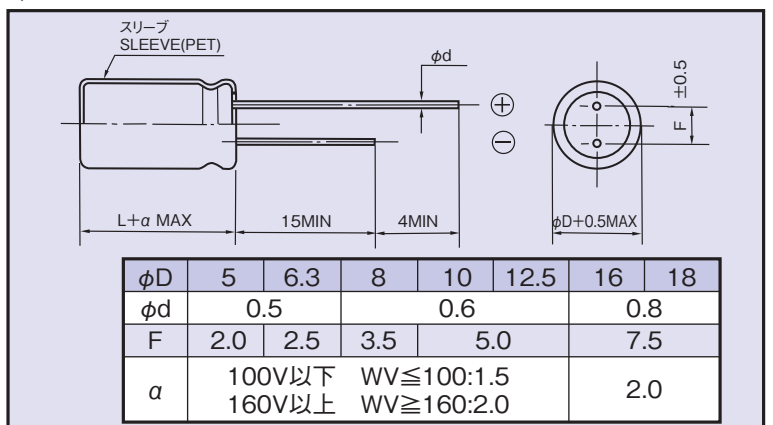
◆副記号 / OPTION

| | 記号 Code |
|--------------------|---------|
| PETスリーブ PET Sleeve | EFC |

◆呼称方法 / PART NUMBER

□□□ PK □□□□□ M □□□ □□ D×L
 定格電圧 シリーズ名 定格静電容量 静電容量許容差 副記号 リード加工記号 ケースサイズ
 Rated Voltage Series Rated Capacitance Capacitance Tolerance Option Lead Forming Case Size

◆寸法図 / DIMENSIONS (mm)



X-ON Electronics

Largest Supplier of Electrical and Electronic Components

Click to view similar products for [Aluminium Electrolytic Capacitors - Radial Leaded](#) category:

Click to view products by [Rubycon](#) manufacturer:

Other Similar products are found below :

[LXY50VB4.7M-5X11](#) [RFO-100V471MJ7P#](#) [ECE-A1EGE220](#) [B41041A7226M8](#) [B41044A7157M6](#) [EKZM160ETD471MHB5D](#)
[NCD681K10KVY5PF](#) [NEV1000M25EF-BULK](#) [NEV100M35DC](#) [NEV100M63DE](#) [NEV220M25DD-BULK](#) [NEV.33M100AA](#)
[NEV4700M50HB](#) [NEV.47M100AA](#) [NEVH1.0M250AB](#) [NEVH3.3M250BB](#) [NEVH3.3M450CC](#) [KM4700/16](#) [KME50VB100M-8X11.5](#)
[SG220M1CSA-0407](#) [ES5107M016AE1DA](#) [ESMG160ETD102MJ16S](#) [ESX472M16B](#) [227RZS050M](#) [476CKH100MSA](#) [477RZS050M](#)
[UVX1V101KPA1FA](#) [UVX1V222MHA1CA](#) [KME25VB100M-6.3X11](#) [VTL100S10](#) [VTL470S10](#) [VTL470S16A](#) [511D336M250EK5D](#)
[052687X](#) [ECE-A1CF471](#) [NRE-S560M16V6.3X7TBSTF](#) [RGA221M1CTA-0611G](#) [ERZA630VHN182UP54N](#) [UPL1A331MPH](#)
[SK035M0100AZS-0611](#) [MAL214658821E3](#) [NEV1000M6.3DE](#) [NEV100M16CB](#) [NEV100M50DD-BULK](#) [NEV2200M16FF](#) [NEV220M50EE](#)
[NEV2.2M50AA](#) [NEV330M63EF](#) [NEV4700M35HI](#) [NEV4.7M100BA](#)