

TO Messrs.TOYOGAWA

# ALUMINUM ELECTROLYTIC CAPACITORS SPECIFICATION SHEET

---

CUSTOMER PART No.		
Rubycon PART No.	YXG SERIES (Lead free and PET sleeve type)	
DRAWING No.	REE – 030897	ISSUE No. 1
ISSUE DATE	27 DECEMBER 2004	



RUBYCON CORPORATION  
ENGINEERING DIVISION

1938-1, NISHIMINOWA, INA-SHI, NAGANO-KEN, JAPAN  
TEL No. 0265- 72-7116  
FAX No. 0265- 73-3380

DESIGN	TETSUYA MIZU
CHECK	KENROU FUJII
APPROVAL	TAKUYA MIYAHARA

## 1. Scope.

This specification covers polarized aluminum electrolytic capacitors with non-solid electrolyte for use in electronic equipments .

## 2. Reference Standard

JIS C 5141 (1991) and JIS C 5102 (1994) methods for testing.

## 3. Operating Temperature Range

-40°C to +105°C

## 4. Performance Refer to Table-1

## 5. Style and Numbering System

(1) Style CE 04 (Radial Leaded)

(2) Numbering System	Rated Voltage	Series	Nominal Capacitance	Tolerance	Option	Lead Forming	Case size
	□□□	YXG	□□□	M	EFC	□□	□□□ X □□□


EFC : Lead free type with PET sleeve

## 6. Marking

Unless otherwise specified, capacitor shall be clearly marked the following items on its body.

Sleeve color: Black

Lettering color: White

(1) Trade mark	<b>Rubycon</b>
(2) Rated Voltage	V
(3) Nominal Capacitance	μF
(4) Polarity	 ( Negative Polarity)
(5) Series	YXG
(6) Date code	
(7) Maximum Operating Temperature	1 05°C
(8) PET Sleeve mark	PET

## 7. Vent

On capacitors whose diameter is 6.3mm and greater, a safety vent shall be provided.

## 8. Notes on use of aluminum electrolytic capacitors

## (1) Charge and discharge

Do not use for the circuit that repeats quick charge or discharge.

## (2) External stress

Do not apply excessive force of pushing, pulling bending, and/or twisting to the main body, lead wire and terminals.

## (3) Heat resistance at soldering process

In the soldering process of PC board with Capacitors mounted, secondary shrinkage or crack of sleeve may be observed when soldering temperature is too high and /or soldering time is too long.

If lead wire of other components or pattern of double sided PC board touches the capacitor, the similar failure may be also originated at pre-heating, heating at hardening process of adhesive and soldering process.

## (4) Insulation and PC board mounting

Sleeve is for marking purpose only.

It is not recognized as insulation materials.

When double sided PC board is employed, note that it could cause a short circuit if lead wire of other components or pattern of double sided PC board touches capacitor. Please avoid circuit pattern runs underneath capacitor.

In addition, case and cathode terminal are not insulated.

## (5) Adhesives and coating materials

Do not use the adhesives and coating materials that contain halogenated organic solvents or chloroprene as polymer.

## (6) Storage

Keep at a normal temperature and humidity. During a long storage time, leakage current will be increased. To prevent heat rise or any trouble that high leakage current possibly causes, voltage treatment is recommended for the capacitors that have been stored for a long time.

## &lt;Storage Condition&gt;

\*Aluminum electrolytic capacitors should not be stored in high temperatures or where there is a high level of humidity. The suitable storage condition is 5°C-35°C and less than 75% in relative humidity.

\*Aluminum electrolytic capacitors should not be stored in damp conditions such as water, saltwater spray or oil spray.

\*Do not store aluminum electrolytic capacitors in an environment full of hazardous gas (hydrogen sulfide, sulfurous acid gas, nitrous acid, chlorine gas, ammonia or bromine gas).

\*Aluminum electrolytic capacitors should not be stored under exposure to ozone, ultraviolet rays or radiation

YXG SERIES

**Rubycon**  
RUBYCON CORPORATION

(7) Fumigation and halogenated flame retardant

It may cause corrosion of internal electrodes, aluminum cases and terminal surface when the following conditions exist.

\*Fumigation of wooden pallets before shipment to disinfect vermin.

\*Existence of components or parts that contain halogenated flame retardant agent (bromine etc.) together with capacitors.

\*When halogenated detergents or antiseptics for preventing infection of epidemic diseases contact directly to capacitors.

(8) PC board cleaning after soldering

Please consult us when cleaning is subjected.

◆ Guide to application except the above are described in our catalog and EIAJ RCR-2367B.

EIAJ RCR-2367B : "Guideline of notabilia for fixed aluminum electrolytic capacitors for use in electronic equipment."

Published by Electronic Industries Association of Japan.

◆Table-1 PERFORMANCE

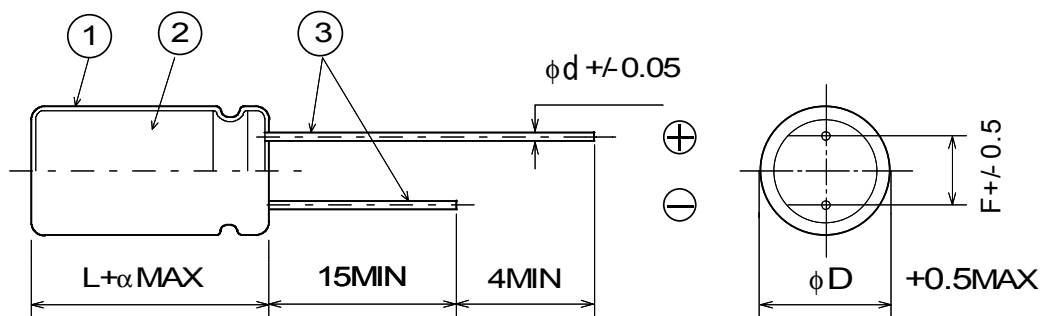
ITEMS PER		FORMANCE																
1	Rated Voltage(WV) Surge Voltage (SV)	WV(V.DC) 6	.3	10 16	25 35	50	63	100										
		SV(V.DC)	8	13 20	32 44	63	79	125										
2	Nominal Capacitance (Tolerance)	<p>&lt;Criteria&gt; 6.8 to 18000<math>\mu</math>F(<math>\pm</math>20%)</p> <p>&lt;Condition&gt;</p> <div style="border: 1px solid black; padding: 5px; width: fit-content; margin: 10px auto;"> <p>Measuring Frequency : 120Hz<math>\pm</math>20%</p> <p>Measuring Voltage : Not more than 0.5Vrms + 1.5 to 2.0V.DC</p> <p>Measuring Temperature : 20 <math>\pm</math> 2 <math>^{\circ}</math>C</p> </div>																
3	Leakage Current	<p>&lt;Condition&gt;</p> <p>The rated voltage shall be applied between terminals of capacitor such that the terminal voltage will reach the rated voltage within one minute and the leakage current shall be measured at 2 minutes after the voltage has reached the rated voltage across a 1000 <math>\pm</math>10 <math>\Omega</math> series protection resistor. Then the current value shall not exceed value calculated from following formula.</p> <p>&lt;Criteria&gt;</p> <p><math>I=0.01CV</math> or 3<math>\mu</math>A whichever is greater</p> <p>where I : Leakage current in <math>\mu</math>A. C : Nominal capacitance in <math>\mu</math>F. V : Rated voltage in V.DC.</p>																
4	Dissipation Factor (tan $\delta$ :Tangent of loss angle)	WV(V.DC)	6.3	10 16	25 35	50 63			100									
		tan $\delta$	0.22	0.19	0.16	0.14	0.12	0.10	0.09	0.08								
		<p>When nominal capacitance is over 1000<math>\mu</math>F, tan<math>\delta</math>s shall be added 0.02 to the listed value with increase of every 1000<math>\mu</math>F.</p> <p>&lt;Condition&gt; See ITEM 2, Nominal Capacitance, for measuring frequency, voltage and temperature.</p>																
5	Terminal Strength	<p>&lt;Condition&gt;</p> <p>*Tensile Strength of Terminals</p> <p>The body of capacitor shall be fixed and the tensile force of following table shall be applied to the terminal in lead out direction of the terminal for 10<math>\pm</math>1 seconds.</p> <p>*Bending Strength of Terminals</p> <p>The body of capacitor shall be held in such a way that the regular lead-out axis of lead wire terminal becomes vertical. The weight of following table shall be suspended from the end of terminal. In this condition, after the body of sample is bent through 90 degrees, it shall be returned to the original position. Next the body shall be reversibly bent through 90 degrees and again returned to the original position.</p> <table border="1" style="margin: 10px auto;"> <thead> <tr> <th>Diameter of lead wire</th> <th>Tensile force N{kgf}</th> <th>Bending force N{kgf}</th> </tr> </thead> <tbody> <tr> <td>0.5mm and less</td> <td>5 {0.51}</td> <td>2.5{0.25}</td> </tr> <tr> <td>Over 0.5mm to 0.8mm incl</td> <td>10{1.0}</td> <td>5 {0.51}</td> </tr> </tbody> </table> <p>&lt;Criteria&gt; Notable changes shall not be found, as breakage or looseness in the terminal.</p>								Diameter of lead wire	Tensile force N{kgf}	Bending force N{kgf}	0.5mm and less	5 {0.51}	2.5{0.25}	Over 0.5mm to 0.8mm incl	10{1.0}	5 {0.51}
Diameter of lead wire	Tensile force N{kgf}	Bending force N{kgf}																
0.5mm and less	5 {0.51}	2.5{0.25}																
Over 0.5mm to 0.8mm incl	10{1.0}	5 {0.51}																

<p>6 Temperature Coefficient and Drift</p>	<p>&lt;Condition&gt;</p> <table border="1"> <thead> <tr> <th>STEP</th> <th>Testing Temperature (°C) T</th> <th>Time</th> </tr> </thead> <tbody> <tr> <td>1 20</td> <td>±2</td> <td>Time to reach thermal equilibrium</td> </tr> <tr> <td>2 -</td> <td>40±3 //</td> <td></td> </tr> <tr> <td>3 -</td> <td>25±3 //</td> <td></td> </tr> <tr> <td>4 20</td> <td>±2 //</td> <td></td> </tr> <tr> <td>5 105</td> <td>±2 2</td> <td>hrs.</td> </tr> <tr> <td>6 20</td> <td>±2</td> <td>Time to reach thermal equilibrium</td> </tr> </tbody> </table> <p>Capacitance, D.F. and Impedance shall be measured at 120Hz.</p> <p>&lt;Criteria&gt;</p> <table border="1"> <thead> <tr> <th>STEP</th> <th>Parameter</th> <th>Criteria</th> </tr> </thead> <tbody> <tr> <td>STEP 2,3</td> <td>Impedance Ratio</td> <td>The value of ratio to STEP 1 not more than value of following table.</td> </tr> <tr> <td rowspan="3">STEP 5</td> <td>Capacitance Change</td> <td>Within ±25% of the value of STEP 1</td> </tr> <tr> <td>Dissipation Factor</td> <td>Not more than the specified value</td> </tr> <tr> <td>Leakage Current</td> <td>Not more than 8 times the specified value</td> </tr> <tr> <td rowspan="3">STEP 6</td> <td>Capacitance Change</td> <td>Within ±10% of the value of STEP 1</td> </tr> <tr> <td>Dissipation Factor</td> <td>Not more than the specified value</td> </tr> <tr> <td>Leakage Current</td> <td>Not more than the specified value</td> </tr> </tbody> </table> <table border="1"> <thead> <tr> <th>WV(V.DC) 6</th> <th>.3</th> <th>10</th> <th>16</th> <th>25</th> <th>35</th> <th>50</th> <th>63</th> <th>100</th> </tr> </thead> <tbody> <tr> <td>Z(-25°C)/Z(+20°C)</td> <td>4</td> <td>3</td> <td>2 2</td> <td></td> <td>2 2</td> <td></td> <td>2</td> <td>2</td> </tr> <tr> <td>Z(-40°C)/Z(+20°C)</td> <td>8</td> <td>6</td> <td>4 3</td> <td></td> <td>3 3</td> <td></td> <td>3</td> <td>3</td> </tr> </tbody> </table>	STEP	Testing Temperature (°C) T	Time	1 20	±2	Time to reach thermal equilibrium	2 -	40±3 //		3 -	25±3 //		4 20	±2 //		5 105	±2 2	hrs.	6 20	±2	Time to reach thermal equilibrium	STEP	Parameter	Criteria	STEP 2,3	Impedance Ratio	The value of ratio to STEP 1 not more than value of following table.	STEP 5	Capacitance Change	Within ±25% of the value of STEP 1	Dissipation Factor	Not more than the specified value	Leakage Current	Not more than 8 times the specified value	STEP 6	Capacitance Change	Within ±10% of the value of STEP 1	Dissipation Factor	Not more than the specified value	Leakage Current	Not more than the specified value	WV(V.DC) 6	.3	10	16	25	35	50	63	100	Z(-25°C)/Z(+20°C)	4	3	2 2		2 2		2	2	Z(-40°C)/Z(+20°C)	8	6	4 3		3 3		3	3
STEP	Testing Temperature (°C) T	Time																																																																			
1 20	±2	Time to reach thermal equilibrium																																																																			
2 -	40±3 //																																																																				
3 -	25±3 //																																																																				
4 20	±2 //																																																																				
5 105	±2 2	hrs.																																																																			
6 20	±2	Time to reach thermal equilibrium																																																																			
STEP	Parameter	Criteria																																																																			
STEP 2,3	Impedance Ratio	The value of ratio to STEP 1 not more than value of following table.																																																																			
STEP 5	Capacitance Change	Within ±25% of the value of STEP 1																																																																			
	Dissipation Factor	Not more than the specified value																																																																			
	Leakage Current	Not more than 8 times the specified value																																																																			
STEP 6	Capacitance Change	Within ±10% of the value of STEP 1																																																																			
	Dissipation Factor	Not more than the specified value																																																																			
	Leakage Current	Not more than the specified value																																																																			
WV(V.DC) 6	.3	10	16	25	35	50	63	100																																																													
Z(-25°C)/Z(+20°C)	4	3	2 2		2 2		2	2																																																													
Z(-40°C)/Z(+20°C)	8	6	4 3		3 3		3	3																																																													
<p>7 Load Life Test</p>	<p>&lt;Condition&gt;</p> <p>Capacitor under the test shall be applied the rated voltage continuously through 1000 Ω series protective resistor (with maximum ripple current) at 105±2°C for following test period. After the test and returned in standard condition for 1 to 2 hours, and the capacitor shall meet following requirements.</p> <table border="1"> <thead> <tr> <th>Case dia</th> <th>Life time</th> </tr> </thead> <tbody> <tr> <td>φ5, φ6.3</td> <td>3000 <sup>+72</sup>/<sub>0</sub></td> </tr> <tr> <td>φ8</td> <td>4000 <sup>+72</sup>/<sub>0</sub></td> </tr> <tr> <td>φ10</td> <td>5000 <sup>+72</sup>/<sub>0</sub></td> </tr> <tr> <td>φ12.5 to φ18</td> <td>6000 <sup>+72</sup>/<sub>0</sub></td> </tr> </tbody> </table> <p>&lt;Criteria&gt;</p> <table border="1"> <tbody> <tr> <td>Leakage Current</td> <td>Not more than the specified value</td> </tr> <tr> <td>Capacitance Change</td> <td>Within ±25% of the initial value</td> </tr> <tr> <td>Dissipation Factor</td> <td>Not more than 200% of the specified value</td> </tr> <tr> <td>Appearance</td> <td>Notable changes shall not be found, except sleeve</td> </tr> </tbody> </table>	Case dia	Life time	φ5, φ6.3	3000 <sup>+72</sup> / <sub>0</sub>	φ8	4000 <sup>+72</sup> / <sub>0</sub>	φ10	5000 <sup>+72</sup> / <sub>0</sub>	φ12.5 to φ18	6000 <sup>+72</sup> / <sub>0</sub>	Leakage Current	Not more than the specified value	Capacitance Change	Within ±25% of the initial value	Dissipation Factor	Not more than 200% of the specified value	Appearance	Notable changes shall not be found, except sleeve																																																		
Case dia	Life time																																																																				
φ5, φ6.3	3000 <sup>+72</sup> / <sub>0</sub>																																																																				
φ8	4000 <sup>+72</sup> / <sub>0</sub>																																																																				
φ10	5000 <sup>+72</sup> / <sub>0</sub>																																																																				
φ12.5 to φ18	6000 <sup>+72</sup> / <sub>0</sub>																																																																				
Leakage Current	Not more than the specified value																																																																				
Capacitance Change	Within ±25% of the initial value																																																																				
Dissipation Factor	Not more than 200% of the specified value																																																																				
Appearance	Notable changes shall not be found, except sleeve																																																																				

8	Shelf Life Test	<p>&lt;Condition&gt; Capacitors shall be stored at <math>105\pm 2^{\circ}\text{C}</math> with no voltage applied for <math>1000^{+48}_0</math> hours. After the test and returned in standard condition for 1 to 2 hours and the capacitor shall meet following requirements. (If any doubt arises on the judgment, the capacitors shall be subjected to voltage treatment specified in JIS C 5141,5.2.)</p> <p>&lt;Criteria&gt;</p> <table border="1" data-bbox="533 490 1445 636"> <tr> <td>Leakage Current</td> <td>Not more than the specified value</td> </tr> <tr> <td>Capacitance Change</td> <td>Within <math>\pm 25\%</math> of the initial value</td> </tr> <tr> <td>Dissipation Factor</td> <td>Not more than 200% of the specified value</td> </tr> <tr> <td>Appearance</td> <td>Notable changes shall not be found</td> </tr> </table>	Leakage Current	Not more than the specified value	Capacitance Change	Within $\pm 25\%$ of the initial value	Dissipation Factor	Not more than 200% of the specified value	Appearance	Notable changes shall not be found				
Leakage Current	Not more than the specified value													
Capacitance Change	Within $\pm 25\%$ of the initial value													
Dissipation Factor	Not more than 200% of the specified value													
Appearance	Notable changes shall not be found													
9	Surge Voltage	<p>&lt;Condition&gt; Capacitor shall be applied the surge voltage through a <math>(100\pm 50)/C_R</math> [<math>k\ \Omega</math>] resistor in series for <math>30\pm 5</math> seconds in every <math>6\pm 0.5</math> minutes at <math>15</math> to <math>35^{\circ}\text{C}</math>. Procedure shall be repeated 1000 times. Then the capacitors shall be left under normal humidity for 1 to 2 hours before measurement. [<math>C_R</math> : Nominal Capacitance (<math>\mu\text{F}</math>)]</p> <p>&lt;Criteria&gt;</p> <table border="1" data-bbox="533 866 1445 1012"> <tr> <td>Leakage Current</td> <td>Not more than the specified value</td> </tr> <tr> <td>Capacitance Change</td> <td>Within <math>\pm 15\%</math> of the initial value</td> </tr> <tr> <td>Dissipation Factor</td> <td>Not more than the specified value</td> </tr> <tr> <td>Appearance</td> <td>Notable changes shall not be found</td> </tr> </table> <p>◇ This test simulates overvoltage at a normal situations, and not be hypothesizing that overvoltage is always applied.</p>	Leakage Current	Not more than the specified value	Capacitance Change	Within $\pm 15\%$ of the initial value	Dissipation Factor	Not more than the specified value	Appearance	Notable changes shall not be found				
Leakage Current	Not more than the specified value													
Capacitance Change	Within $\pm 15\%$ of the initial value													
Dissipation Factor	Not more than the specified value													
Appearance	Notable changes shall not be found													
10	Vibration Test	<p>&lt;Condition&gt; Testing shall be done out in 3 AXIS for 2 hours each (total 6 hours) as below. Fix lead wire at a point not more than 4mm from the body, use mounting device separately for the one with a diameter 12.5mm and greater or with a length 25mm and longer.</p> <table border="1" data-bbox="533 1245 1177 1341"> <tr> <td>Vibration frequency range</td> <td>: 10 to 55Hz</td> </tr> <tr> <td>Peak to peak amplitude</td> <td>: 1.5mm</td> </tr> <tr> <td>Sweep rate</td> <td>: 10 to 55 to 10Hz, In about 1min.</td> </tr> </table> <p>&lt;Criteria&gt;</p> <table border="1" data-bbox="533 1377 1268 1552"> <tr> <td>Capacitance (During test)</td> <td>Measured value shall be stable. (The time from one end to the other of the vibration frequency within last 30 minutes at last direction.)</td> </tr> <tr> <td>Capacitance Change</td> <td>Within <math>\pm 5\%</math> of the initial value</td> </tr> <tr> <td>Appearance</td> <td>Notable changes shall not be found</td> </tr> </table>	Vibration frequency range	: 10 to 55Hz	Peak to peak amplitude	: 1.5mm	Sweep rate	: 10 to 55 to 10Hz, In about 1min.	Capacitance (During test)	Measured value shall be stable. (The time from one end to the other of the vibration frequency within last 30 minutes at last direction.)	Capacitance Change	Within $\pm 5\%$ of the initial value	Appearance	Notable changes shall not be found
Vibration frequency range	: 10 to 55Hz													
Peak to peak amplitude	: 1.5mm													
Sweep rate	: 10 to 55 to 10Hz, In about 1min.													
Capacitance (During test)	Measured value shall be stable. (The time from one end to the other of the vibration frequency within last 30 minutes at last direction.)													
Capacitance Change	Within $\pm 5\%$ of the initial value													
Appearance	Notable changes shall not be found													
11	Solderability	<p>&lt;Condition&gt; Terminals of the capacitor shall be immersed in flux (ethanol solution of the rosin, 25 wt% rosin) for 5 to 10 seconds and shall be immersed in the solder bath (<math>235\pm 5^{\circ}\text{C}</math>) and held for <math>2\pm 0.5</math> seconds, and pulled out at the same speed.</p> <p>&lt;Criteria&gt; At least 3/4 of circumferential surface of dipped portion of the terminal shall be covered with new solder.</p>												

12	Resistance to Solder Heat	<p>&lt;Condition&gt; Terminals of the capacitor shall be immersed into solder bath at 260±5°C for 10±1 seconds up to 1.5 to 2.0mm from the body of capacitor. Then the capacitors shall be left under the normal temperature and normal humidity for 1 to 2 hours before measurement.</p> <p>&lt;Criteria&gt;</p> <table border="1" data-bbox="531 472 1445 622"> <tr> <td>Leakage Current</td> <td>Not more than the specified value</td> </tr> <tr> <td>Capacitance Change</td> <td>Within ±10% of the initial value</td> </tr> <tr> <td>Dissipation Factor</td> <td>Not more than the specified value</td> </tr> <tr> <td>Appearance</td> <td>Notable changes shall not be found</td> </tr> </table>	Leakage Current	Not more than the specified value	Capacitance Change	Within ±10% of the initial value	Dissipation Factor	Not more than the specified value	Appearance	Notable changes shall not be found																																	
Leakage Current	Not more than the specified value																																										
Capacitance Change	Within ±10% of the initial value																																										
Dissipation Factor	Not more than the specified value																																										
Appearance	Notable changes shall not be found																																										
13	Resistance to Damp Heat (Steady State)	<p>&lt;Condition&gt; Capacitor shall be stored in the ambient of 40±2°C and relative humidity 90 to 95% for 240±8 hours. Then the capacitors shall be left under the normal temperature and normal humidity for 1 to 2 hours before measurement.</p> <p>&lt;Criteria&gt;</p> <table border="1" data-bbox="531 824 1445 974"> <tr> <td>Leakage Current</td> <td>Not more than the specified value</td> </tr> <tr> <td>Capacitance Change</td> <td>Within ±15% of the initial value</td> </tr> <tr> <td>Dissipation Factor</td> <td>Not more than the specified value</td> </tr> <tr> <td>Appearance</td> <td>Notable changes shall not be found</td> </tr> </table>	Leakage Current	Not more than the specified value	Capacitance Change	Within ±15% of the initial value	Dissipation Factor	Not more than the specified value	Appearance	Notable changes shall not be found																																	
Leakage Current	Not more than the specified value																																										
Capacitance Change	Within ±15% of the initial value																																										
Dissipation Factor	Not more than the specified value																																										
Appearance	Notable changes shall not be found																																										
14	Maximum Permissible Ripple Current	<p>(1)The maximum permissible ripple current is the maximum A.C. current at 100kHz and can be applied at maximum operating temperature. (2)The combined value of D.C. voltage and the peak A.C. voltage shall not exceed the rated voltage and shall not be reverse voltage.</p> <p>&lt;Frequency Coefficient&gt;</p> <table border="1" data-bbox="531 1196 1337 1460"> <thead> <tr> <th>Frequency(Hz)</th> <th>120 1k</th> <th></th> <th>10k</th> <th>100k≤</th> </tr> </thead> <tbody> <tr> <td>Capacitance(μF)</td> <td></td> <td></td> <td></td> <td></td> </tr> <tr> <td>6.8 to 33</td> <td>0.42</td> <td>0.70</td> <td>0.90</td> <td>1.00</td> </tr> <tr> <td>39 to 270</td> <td>0.50</td> <td>0.73</td> <td>0.92</td> <td>1.00</td> </tr> <tr> <td>330 to 680</td> <td>0.55</td> <td>0.77</td> <td>0.94</td> <td>1.00</td> </tr> <tr> <td>820 to 1800</td> <td>0.60</td> <td>0.80</td> <td>0.96</td> <td>1.00</td> </tr> <tr> <td>2200 to 18000</td> <td>0.70</td> <td>0.85</td> <td>0.98</td> <td>1.00</td> </tr> </tbody> </table> <p>&lt; Temperature Coefficient &gt;</p> <table border="1" data-bbox="531 1536 1193 1615"> <tr> <td>Ambient Temperature(°C)</td> <td>105 85 65</td> <td>≥</td> </tr> <tr> <td>Coefficient</td> <td>1.0 1. 7 2.</td> <td>1</td> </tr> </table> <p>◇Temperature coefficient shows a limit of ripple current exceeding the rated ripple current that can be passed through a capacitor at each temperature when the life expectancy of a capacitor becomes to be nearly equal with the lifetime at the rated maximum operating temperature. ◇Use of aluminum electrolytic capacitor under ripple voltage with wide amplitude is equivalent to quick charge-discharge operation. When ripple voltage with the amplitude over 70Vp-p is expected for the products with rated voltage over 100V, please contact us.</p>	Frequency(Hz)	120 1k		10k	100k≤	Capacitance(μF)					6.8 to 33	0.42	0.70	0.90	1.00	39 to 270	0.50	0.73	0.92	1.00	330 to 680	0.55	0.77	0.94	1.00	820 to 1800	0.60	0.80	0.96	1.00	2200 to 18000	0.70	0.85	0.98	1.00	Ambient Temperature(°C)	105 85 65	≥	Coefficient	1.0 1. 7 2.	1
Frequency(Hz)	120 1k		10k	100k≤																																							
Capacitance(μF)																																											
6.8 to 33	0.42	0.70	0.90	1.00																																							
39 to 270	0.50	0.73	0.92	1.00																																							
330 to 680	0.55	0.77	0.94	1.00																																							
820 to 1800	0.60	0.80	0.96	1.00																																							
2200 to 18000	0.70	0.85	0.98	1.00																																							
Ambient Temperature(°C)	105 85 65	≥																																									
Coefficient	1.0 1. 7 2.	1																																									

9. Diagram of dimensions. : unit mm



◆Table-2

φD	5.6	3.8		10	12.5	16	18
F	2.0	2.5	3.5	5.0	5.0	7.5	7.5
φd	0.5	0.5	0.6	0.6	0.6	0.8	0.8
α	L≤16 : α=1.5			L≥20 : α=2.0			

◆Table-3

①S	leeve	P.E.T.
②C	case	Aluminum
③	Lead Wire	Tin plated

◆Table-4 Standard size, Maximum permissible ripple current and Impedance

Nominal capacitance (μF)	Size φDxL(mm)	Ripple Current (mA r.m.s./105°C,100kHz)	Rated voltage 6.3V	
			Impedance (ΩMAX)	
			20°C,100kHz	-10°C,100kHz
150	5X 11	210	0.58	2.3
330	6. 3X11	340	0.22	0.87
680	8X 11.5	640	0.13	0.52
820	10X 12.5	865	0.080	0.32
1000	8X 16	840	0.087	0.35
1200	8X 20	1050	0.069	0.27
1200	10X 16	1210	0.060	0.24
1500	10X 20	1400	0.046	0.18
1800	12. 5X16	1450	0.049	0.16
2200	10X 23	1650	0.042	0.17
2700	10X 28	1910	0.031	0.12
2700	16X 16	1940	0.042	0.12
3300	12. 5X20	1900	0.035	0.12
3900	12. 5X25	2230	0.027	0.089
3900	18X 16	2210	0.043	0.11
4700	12. 5X30	2650	0.024	0.078
5600	12. 5X35	2880	0.020	0.065
5600	16X 20	2530	0.027	0.078
6800	12. 5X40	3350	0.017	0.056
6800	16X 25	2930	0.021	0.060
6800	18X 20	2860	0.026	0.067
8200	16X 31.5	3450	0.017	0.050
10000	16X 35.5	3610	0.015	0.044
10000	18X 25	3140	0.019	0.049
12000	16X 40	4080	0.013	0.038
12000	18X 31.5	4170	0.015	0.040
15000	18X 35.5	4220	0.014	0.038
18000	18X 40	4280	0.012	0.032



Rated voltage 10V				
Nominal capacitance ( $\mu$ F)	Size $\phi$ DxL(mm)	Ripple Current (mA r.m.s./105°C,100kHz)	Impedance ( $\Omega$ MAX)	
			20°C,100kHz	-10°C,100kHz
100	5X 11	210	0.58	2.3
220	6. 3X11	340	0.22	0.87
470	8X 11.5	640	0.13	0.52
680	8X 16	840	0.087	0.35
680	10X 12.5	865	0.080	0.32
1000	8X 20	1050	0.069	0.27
1000	10X 16	1210	0.060	0.24
1200	10X 20	1400	0.046	0.18
1500	10X 23	1650	0.042	0.17
1500	12. 5X16	1450	0.049	0.16
2200	10X 28	1910	0.031	0.12
2200	12. 5X20	1900	0.035	0.12
2200	16X 16	1940	0.042	0.12
2700	18X 16	2210	0.043	0.11
3300	12. 5X25	2230	0.027	0.089
3900	12. 5X30	2650	0.024	0.078
3900	16X 20	2530	0.027	0.078
4700	12. 5X35	2880	0.020	0.065
5600	12. 5X40	3350	0.017	0.056
5600	16X 25	2930	0.021	0.060
5600	18X 20	2860	0.026	0.067
6800	16X 31.5	3450	0.017	0.050
6800	18X 25	3140	0.019	0.049
8200	16X 35.5	3610	0.015	0.044
8200	18X 31.5	4170	0.015	0.040
10000	16X 40	4080	0.013	0.038
10000	18X 35.5	4220	0.014	0.038
12000	18X 40	4280	0.012	0.032

Rated voltage 16V				
Nominal capacitance ( $\mu$ F)	Size $\phi$ DxL(mm)	Ripple Current (mA r.m.s./105°C,100kHz)	Impedance ( $\Omega$ MAX)	
			20°C,100kHz	-10°C,100kHz
56	5X 11	210	0.58	2.3
120	6. 3X11	340	0.22	0.87
330	8X 11.5	640	0.13	0.52
470	8X 16	840	0.087	0.35
470	10X 12.5	865	0.080	0.32
680	8X 20	1050	0.069	0.27
680	10X 16	1210	0.060	0.24
1000	10X 20	1400	0.046	0.18
1000	12. 5X16	1450	0.049	0.16
1200	10X 23	1650	0.042	0.17
1500	10X 28	1910	0.031	0.12
1500	12. 5X20	1900	0.035	0.12
1500	16X 16	1940	0.042	0.12
2200	12. 5X25	2230	0.027	0.089
2200	18X 16	2210	0.043	0.11
2700	12. 5X30	2650	0.024	0.078
2700	16X 20	2530	0.027	0.078
3300	12. 5X35	2880	0.020	0.065
3900	12. 5X40	3350	0.017	0.056
3900	16X 25	2930	0.021	0.060
3900	18X 20	2860	0.026	0.067
4700	16X 31.5	3450	0.017	0.050
4700	18X 25	3140	0.019	0.049
5600	16X 35.5	3610	0.015	0.044
5600	18X 31.5	4170	0.015	0.040
6800	16X 40	4080	0.013	0.038
8200	18X 35.5	4220	0.014	0.038
10000	18X 40	4280	0.012	0.032

YXG SERIES

**Rubycon**  
RUBYCON CORPORATION

Rated voltage 25V				
Nominal capacitance ( $\mu$ F)	Size $\phi$ DxL(mm)	Ripple Current (mA r.m.s./105°C,100kHz)	Impedance ( $\Omega$ MAX)	
			20°C,100kHz	-10°C,100kHz
47	5X 11	210	0.58	2.3
100	6. 3X11	340	0.22	0.87
220	8X 11.5	640	0.13	0.52
330	8X 16	840	0.087	0.35
330	10X 12.5	865	0.080	0.32
470	8X 20	1050	0.069	0.27
470	10X 16	1210	0.060	0.24
680	10X 20	1400	0.046	0.18
680	12. 5X16	1450	0.049	0.16
820	10X 23	1650	0.042	0.17
1000	10X 28	1910	0.031	0.12
1000	12. 5X20	1900	0.035	0.12
1000	16X 16	1940	0.042	0.12
1200	18X 16	2210	0.043	0.11
1500	12. 5X25	2230	0.027	0.089
1800	12. 5X30	2650	0.024	0.078
1800	16X 20	2530	0.027	0.078
2200	12. 5X35	2880	0.020	0.065
2200	18X 20	2860	0.026	0.067
2700	12. 5X40	3350	0.017	0.056
2700	16X 25	2930	0.021	0.060
3300	16X 31.5	3450	0.017	0.050
3300	18X 25	3140	0.019	0.049
3900	16X 35.5	3610	0.015	0.044
3900	18X 31.5	4170	0.015	0.040
4700	16X 40	4080	0.013	0.038
4700	18X 35.5	4220	0.014	0.038
5600	18X 40	4280	0.012	0.032

Rated voltage 35V				
Nominal capacitance ( $\mu$ F)	Size $\phi$ DxL(mm)	Ripple Current (mA r.m.s./105°C,100kHz)	Impedance ( $\Omega$ MAX)	
			20°C,100kHz	-10°C,100kHz
33	5X 11	210	0.58	2.3
56	6. 3X11	340	0.22	0.87
150	8X 11.5	640	0.13	0.52
220	8X 16	840	0.087	0.35
220	10X 12.5	865	0.080	0.32
270	8X 20	1050	0.069	0.27
330	10X 16	1210	0.060	0.24
470	10X 20	1400	0.046	0.18
470	12. 5X16	1450	0.049	0.16
560	10X 23	1650	0.042	0.17
680	10X 28	1910	0.031	0.12
680	12. 5X20	1900	0.035	0.12
680	16X 16	1940	0.042	0.12
1000	12. 5X25	2230	0.027	0.089
1000	18X 16	2210	0.043	0.11
1200	12. 5X30	2650	0.024	0.078
1200	16X 20	2530	0.027	0.078
1500	12. 5X35	2880	0.020	0.065
1800	12. 5X40	3350	0.017	0.056
1800	16X 25	2930	0.021	0.060
1800	18X 20	2860	0.026	0.067
2200	16X 31.5	3450	0.017	0.050
2200	18X 25	3140	0.019	0.049
2700	16X 35.5	3610	0.015	0.044
2700	18X 31.5	4170	0.015	0.040
3300	16X 40	4080	0.013	0.038
3300	18X 35.5	4220	0.014	0.038
3900	18X 40	4280	0.012	0.032

Rated voltage 50V				
Nominal capacitance ( $\mu$ F)	Size $\phi$ DxL (mm)	Ripple Current (mA r.m.s./105°C,100kHz)	Impedance ( $\Omega$ MAX)	
			20°C,100kHz	-10°C,100kHz
22	5X 11	180	0.70	2.8
56	6. 3X11	295	0.30	1.2
100	8X 11.5	555	0.17	0.68
120	8X 16	730	0.12	0.48
150	10X 12.5	760	0.12	0.48
180	8X 20	910	0.091	0.36
220	10X 16	1050	0.084	0.34
270	10X 20	1220	0.060	0.24
270	12. 5X16	1260	0.061	0.20
330	10X 23	1440	0.055	0.22
470	10X 28	1690	0.043	0.17
470	12. 5X20	1660	0.045	0.15
470	16X 16	1690	0.055	0.17
560	12. 5X25	1950	0.034	0.11
560	18X 16	1930	0.054	0.15
680	12. 5X30	2310	0.030	0.10
820	12. 5X35	2510	0.025	0.083
820	16X 20	2210	0.034	0.10
1000	12. 5X40	2920	0.021	0.069
1000	16X 25	2555	0.025	0.075
1000	18X 20	2490	0.036	0.097
1200	16X 31.5	3010	0.022	0.066
1200	18X 25	2740	0.026	0.070
1500	16X 35.5	3150	0.019	0.057
1800	16X 40	3710	0.016	0.048
1800	18X 31.5	3635	0.021	0.057
2200	18X 35.5	3680	0.017	0.046
2700	18X 40	3800	0.014	0.038

Rated voltage 63V				
Nominal capacitance ( $\mu$ F)	Size $\phi$ DxL (mm)	Ripple Current (mA r.m.s./105°C,100kHz)	Impedance ( $\Omega$ MAX)	
			20°C,100kHz	-10°C,100kHz
15	5X 11	55	2.3	9.3
33	6. 3X11	115	1.2	5.0
56	8X 11.5	232	0.63	2.8
82	8X 16	300	0.45	2.1
82	10X 12.5	288	0.43	1.8
120	8X 20	362	0.33	1.6
120	10X 16	357	0.31	1.5
180	10X 20	466	0.21	0.94
180	12. 5X16	466	0.23	1.1
220	10X 23	531	0.20	0.84
270	10X 28	663	0.15	0.71
270	12. 5X20	690	0.16	0.64
270	16X 16	795	0.14	0.66
330	12. 5X25	784	0.12	0.45
390	18X 16	920	0.12	0.50
470	12. 5X30	905	0.10	0.42
470	16X 20	1040	0.091	0.38
560	12. 5X35	1050	0.083	0.35
560	16X 25	1250	0.073	0.27
680	12. 5X40	1180	0.071	0.30
680	18X 20	1240	0.080	0.30
820	16X 31.5	1570	0.054	0.20
820	18X 25	1490	0.057	0.21
1000	16X 35.5	1790	0.045	0.17
1000	18X 31.5	1630	0.047	0.17
1200	16X 40	2020	0.040	0.15
1200	18X 35.5	1790	0.040	0.15
1500	18X 40	2330	0.036	0.13

YXG SERIES

**Rubycon**  
RUBYCON CORPORATION

Rated voltage 100V				
Nominal capacitance ( $\mu$ F)	Size $\phi$ DxL(mm)	Ripple Current (mA r.m.s./105°C,100kHz)	Impedance ( $\Omega$ MAX)	
			20°C,100kHz	-10°C,100kHz
6.8	5X 11	55	2.3	9.3
15	6. 3X11	115	1.2	5.0
27	8X 11.5	232	0.63	2.8
39	8X 16	300	0.45	2.1
47	10X 12.5	288	0.43	1.8
56	8X 20	362	0.33	1.6
68	10X 16	357	0.31	1.5
82	10X 20	466	0.21	0.94
82	12. 5X16	466	0.23	1.1
100	10X 23	531	0.20	0.84
120	10X 28	663	0.15	0.71
120	12. 5X20	690	0.16	0.64
150	16X 16	795	0.14	0.66
180	12. 5X25	784	0.12	0.45
180	18X 16	920	0.12	0.50
220	12. 5X30	905	0.10	0.42
220	16X 20	1040	0.091	0.38
270	12. 5X35	1050	0.083	0.35
270	16X 25	1250	0.073	0.27
330	12. 5X40	1180	0.071	0.30
330	18X 20	1240	0.080	0.30
390	16X 31.5	1570	0.054	0.20
390	18X 25	1490	0.057	0.21
470	16X 35.5	1790	0.045	0.17
470	18X 31.5	1630	0.047	0.17
560	16X 40	2020	0.040	0.15
680	18X 35.5	1790	0.040	0.15
820	18X 40	2330	0.036	0.13

## X-ON Electronics

Largest Supplier of Electrical and Electronic Components

*Click to view similar products for [Aluminium Electrolytic Capacitors - Radial Leaded](#) category:*

*Click to view products by [Rubycon](#) manufacturer:*

Other Similar products are found below :

[LXY50VB4.7M-5X11](#) [RFO-100V471MJ7P#](#) [ECE-A1EGE220](#) [B41041A7226M8](#) [B41044A7157M6](#) [NCD681K10KVY5PF](#)

[NEV1000M25EF-BULK](#) [NEV100M35DC](#) [NEV100M63DE](#) [NEV220M25DD-BULK](#) [NEV.33M100AA](#) [NEV4700M50HB](#) [NEV.47M100AA](#)

[NEVH1.0M250AB](#) [NEVH3.3M250BB](#) [NEVH3.3M450CC](#) [KME50VB100M-8X11.5](#) [SG220M1CSA-0407](#) [ES5107M016AE1DA](#)

[ESMG160ETD102MJ16S](#) [ESX472M16B](#) [227RZS050M](#) [476CKH100MSA](#) [477RZS050M](#) [B41793A9108Q1](#) [UVX1V101KPA1FA](#)

[UVX1V222MHA1CA](#) [KME25VB100M-6.3X11](#) [VTL100S10](#) [VTL470S10](#) [VTL470S16A](#) [511D336M250EK5D](#) [052687X](#) [ECE-A1CF471](#)

[NRE-S560M16V6.3X7TBSTF](#) [RGA221M1CTA-0611G](#) [ERZA630VHN182UP54N](#) [UPL1A331MPH](#) [NEV1000M6.3DE](#) [NEV100M16CB](#)

[NEV100M50DD-BULK](#) [NEV2200M16FF](#) [NEV220M50EE](#) [NEV2.2M50AA](#) [NEV330M63EF](#) [NEV4700M35HI](#) [NEV4.7M100BA](#)

[NEV47M16BA](#) [NEV47M50CB-BULK](#) [NEVH1.0M350AB](#)