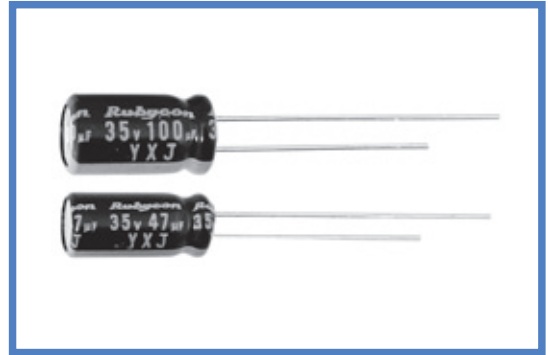


YXJ 系列  
SERIES

105°C 小型化 长寿命 低阻抗品  
105°C Miniaturized, Long Life, Low impedance.

◆ 特 长 / FEATURES

- 105°C 4000~10000小时品。  
Load Life : 105°C 4000~10000 hours.
- RoHS指令对应品。  
RoHS compliance.



◆ 规格表 / SPECIFICATIONS

| 项 目 Items   | 特 性 Characteristics  |                               |   |                   |                      |      |                              |  |               |          |               |                          |   |           |      |      |      |      |       |      |      |                  |   |   |      |       |   |   |   |   |  |
|---|--|-------------------------------|---|-------------------|----------------------|------|------------------------------|--|---------------|----------|---------------|--------------------------|---|-----------|------|------|------|------|-------|------|------|------------------|---|---|------|-------|---|---|---|---|--|
| 工作温度范围<br>Category Temperature Range                                  | -40~+105°C   |                               |   |                   |                      |      |                              |  |               |          |               |                          |   |           |      |      |      |      |       |      |      |                  |   |   |      |       |   |   |   |   |  |
| 额定电压范围<br>Rated Voltage Range   | 6.3~100V.DC  |                               |   |                   |                      |      |                              |  |               |          |               |                          |   |           |      |      |      |      |       |      |      |                  |   |   |      |       |   |   |   |   |  |
| 静电容量允许差<br>Capacitance Tolerance                                      | ±20% (20°C, 120Hz)   |                               |   |                   |                      |      |                              |  |               |          |               |                          |   |           |      |      |      |      |       |      |      |                  |   |   |      |       |   |   |   |   |  |
| 漏 电 流<br>Leakage Current(MAX)   | 小于I=0.01CV和3µA中的较大值 (施加额定电压2分钟后)<br>I=0.01CV or 3µA whichever is greater. (After 2 minutes)<br>I=漏电流 (µA) Leakage Current      C=额定静电容量 (µF) Rated Capacitance      V=额定电压 (V) Rated Voltage   |                               |   |                   |                      |      |                              |  |               |          |               |                          |   |           |      |      |      |      |       |      |      |                  |   |   |      |       |   |   |   |   |  |
| 损失角正切值 (tan δ)<br>Dissipation Factor(MAX)                             | <table border="1"> <tr> <td>额定电压 (V)<br/>Rated Voltage</td> <td>6.3</td> <td>10</td> <td>16</td> <td>25</td> <td>35</td> <td>50</td> <td>63</td> <td>100</td> <td>(20°C, 120Hz)</td> </tr> <tr> <td>tan δ</td> <td>0.22</td> <td>0.19</td> <td>0.16</td> <td>0.14</td> <td>0.12</td> <td>0.10</td> <td>0.09</td> <td>0.08</td> <td></td> </tr> </table> <p>对于额定静电容量超过1000µF的产品, 其静电容量每增加1000µF, 则损失角正切值在上表值的基础上加上0.02。<br/>When rated capacitance is over 1000µF, tan δ shall be added 0.02 to the listed value with increase of every 1000µF.</p>   | 额定电压 (V)<br>Rated Voltage     | 6.3   | 10                | 16                   | 25   | 35                           | 50   | 63            | 100      | (20°C, 120Hz) | tan δ                    | 0.22  | 0.19      | 0.16 | 0.14 | 0.12 | 0.10 | 0.09  | 0.08 |      |                  |   |   |      |       |   |   |   |   |  |
| 额定电压 (V)<br>Rated Voltage   | 6.3  | 10                            | 16  | 25                | 35                   | 50   | 63                           | 100  | (20°C, 120Hz) |          |               |                          |   |           |      |      |      |      |       |      |      |                  |   |   |      |       |   |   |   |   |  |
| tan δ   | 0.22   | 0.19                          | 0.16  | 0.14              | 0.12                 | 0.10 | 0.09                         | 0.08   |               |          |               |                          |   |           |      |      |      |      |       |      |      |                  |   |   |      |       |   |   |   |   |  |
| 耐 久 性<br>Endurance  | <p>在105°C环境中, 不超过额定电压的范围内叠加额定纹波电流, 连续加载右表时间后, 满足以下各项要求。<br/>After life test with rated ripple current at conditions stated in the table below, the capacitors shall meet the following requirements.</p> <table border="1"> <tr> <td>静电容量变化率<br/>Capacitance Change</td> <td>初期值的±25%以内 (6.3V:±30%)<br/>Within ±25% of the initial value. (6.3V:±30%)</td> <td>铝壳尺寸<br/>Case Size</td> <td colspan="2">时间(hrs)<br/>Life Time</td> </tr> <tr> <td>损失角正切值<br/>Dissipation Factor</td> <td>规格值的200%以下<br/>Not more than 200% of the specified value.</td> <td>φD=5</td> <td>6.3~10WV</td> <td>16~100WV</td> </tr> <tr> <td>漏 电 流<br/>Leakage Current</td> <td>规格值以下<br/>Not more than the specified value.</td> <td>φD=6.3, 8</td> <td>4000</td> <td>5000</td> </tr> <tr> <td></td> <td></td> <td>φD≥10</td> <td>6000</td> <td>7000</td> </tr> <tr> <td></td> <td></td> <td></td> <td>8000</td> <td>10000</td> </tr> </table> | 静电容量变化率<br>Capacitance Change | 初期值的±25%以内 (6.3V:±30%)<br>Within ±25% of the initial value. (6.3V:±30%) | 铝壳尺寸<br>Case Size | 时间(hrs)<br>Life Time |      | 损失角正切值<br>Dissipation Factor | 规格值的200%以下<br>Not more than 200% of the specified value. | φD=5          | 6.3~10WV | 16~100WV      | 漏 电 流<br>Leakage Current | 规格值以下<br>Not more than the specified value. | φD=6.3, 8 | 4000 | 5000 |      |      | φD≥10 | 6000 | 7000 |                  |   |   | 8000 | 10000 |   |   |   |   |  |
| 静电容量变化率<br>Capacitance Change   | 初期值的±25%以内 (6.3V:±30%)<br>Within ±25% of the initial value. (6.3V:±30%)  | 铝壳尺寸<br>Case Size             | 时间(hrs)<br>Life Time  |                   |                      |      |                              |  |               |          |               |                          |   |           |      |      |      |      |       |      |      |                  |   |   |      |       |   |   |   |   |  |
| 损失角正切值<br>Dissipation Factor  | 规格值的200%以下<br>Not more than 200% of the specified value.   | φD=5                          | 6.3~10WV  | 16~100WV          |                      |      |                              |  |               |          |               |                          |   |           |      |      |      |      |       |      |      |                  |   |   |      |       |   |   |   |   |  |
| 漏 电 流<br>Leakage Current  | 规格值以下<br>Not more than the specified value.  | φD=6.3, 8                     | 4000  | 5000              |                      |      |                              |  |               |          |               |                          |   |           |      |      |      |      |       |      |      |                  |   |   |      |       |   |   |   |   |  |
|   |  | φD≥10                         | 6000  | 7000              |                      |      |                              |  |               |          |               |                          |   |           |      |      |      |      |       |      |      |                  |   |   |      |       |   |   |   |   |  |
|   |  |                               | 8000  | 10000             |                      |      |                              |  |               |          |               |                          |   |           |      |      |      |      |       |      |      |                  |   |   |      |       |   |   |   |   |  |
| 低 温 特 性<br>Low Temperature Stability<br>(阻抗比)<br>Impedance Ratio(MAX) | <table border="1"> <tr> <td>额定电压 (V)<br/>Rated Voltage</td> <td>6.3</td> <td>10</td> <td>16</td> <td>25</td> <td>35</td> <td>50</td> <td>63</td> <td>100</td> <td>(120Hz)</td> </tr> <tr> <td>Z(-25°C)/Z(20°C)</td> <td>4</td> <td>3</td> <td>2</td> <td>2</td> <td>2</td> <td>2</td> <td>2</td> <td>2</td> <td></td> </tr> <tr> <td>Z(-40°C)/Z(20°C)</td> <td>8</td> <td>6</td> <td>4</td> <td>3</td> <td>3</td> <td>3</td> <td>3</td> <td>3</td> <td></td> </tr> </table>  | 额定电压 (V)<br>Rated Voltage     | 6.3   | 10                | 16                   | 25   | 35                           | 50   | 63            | 100      | (120Hz)       | Z(-25°C)/Z(20°C)         | 4   | 3         | 2    | 2    | 2    | 2    | 2     | 2    |      | Z(-40°C)/Z(20°C) | 8 | 6 | 4    | 3     | 3 | 3 | 3 | 3 |  |
| 额定电压 (V)<br>Rated Voltage   | 6.3  | 10                            | 16  | 25                | 35                   | 50   | 63                           | 100  | (120Hz)       |          |               |                          |   |           |      |      |      |      |       |      |      |                  |   |   |      |       |   |   |   |   |  |
| Z(-25°C)/Z(20°C)  | 4  | 3                             | 2   | 2                 | 2                    | 2    | 2                            | 2  |               |          |               |                          |   |           |      |      |      |      |       |      |      |                  |   |   |      |       |   |   |   |   |  |
| Z(-40°C)/Z(20°C)  | 8  | 6                             | 4   | 3                 | 3                    | 3    | 3                            | 3  |               |          |               |                          |   |           |      |      |      |      |       |      |      |                  |   |   |      |       |   |   |   |   |  |

◆ 纹波电流修正系数 / MULTIPLIER FOR RIPPLE CURRENT

频率系数 Frequency Coefficient

(6.3WV ~ 50WV)

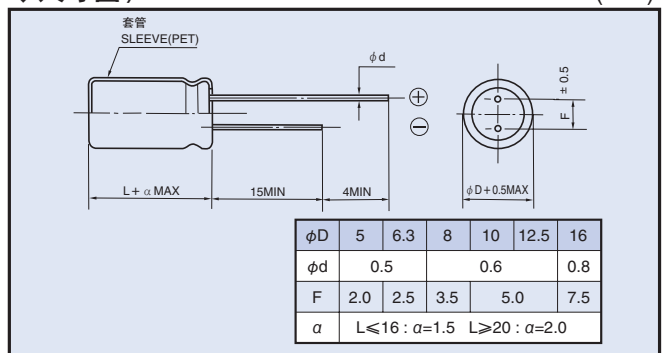
| 频率 (Hz)<br>Frequency | 120  | 1k   | 10k  | 100k≤ |
|----------------------|------|------|------|-------|
| 0.47 ~ 10µF          | 0.42 | 0.60 | 0.80 | 1.00  |
| 22 ~ 33µF            | 0.55 | 0.75 | 0.90 | 1.00  |
| 47 ~ 330µF           | 0.70 | 0.85 | 0.95 | 1.00  |
| 470 ~ 1000µF         | 0.75 | 0.90 | 0.98 | 1.00  |
| 2200 ~ 15000µF       | 0.80 | 0.95 | 1.00 | 1.00  |

(63WV ~ 100WV)

| 频率 (Hz)<br>Frequency | 120  | 1k   | 10k  | 100k≤ |
|----------------------|------|------|------|-------|
| 系数 Coefficient       | 0.42 | 0.60 | 0.80 | 1.00  |

◆ 尺寸图 / DIMENSIONS

(mm)



◆ 副记号 / OPTION

| 副记号 Option       | 记号 Code |
|------------------|---------|
| PET套管 PET Sleeve | 无 Blank |

◆ 产品型号体系 / PART NUMBER

|                       |                |                             |                                  |               |                        |                   |
|-----------------------|----------------|-----------------------------|----------------------------------|---------------|------------------------|-------------------|
| □□□                   | YXJ            | □□□□□                       | M                                | □□□           | □□                     | D×L               |
| 额定电压<br>Rated Voltage | 系列名称<br>Series | 额定静电容量<br>Rated Capacitance | 静电容量允许差<br>Capacitance Tolerance | 副记号<br>Option | 引线加工记号<br>Lead Forming | 铝壳尺寸<br>Case Size |

◆标准品一览表 / STANDARD SIZE

| 额定电压<br>Rated Voltage<br>(V · DC) | 额定静电容量<br>Rated capacitance (μF) | 外形尺寸<br>Size<br>φ D×L(mm) | 额定纹波电流<br>Rated ripple current<br>(mA r.m.s./105°C, 100kHz) | 阻抗 (Ω MAX)<br>Impedance |               |
|-----------------------------------|----------------------------------|---------------------------|---|-------------------------|---------------|
|                                   |                                  |                           |   | 20°C, 100kHz            | -10°C, 100kHz |
| 6.3<br>(0J)                       | 100                              | 5×11                      | 150   | 0.90                    | 3.6           |
|                                   | 220                              | 5×11                      | 250   | 0.40                    | 1.2           |
|                                   | 330                              | 6.3×11                    | 340   | 0.22                    | 0.87          |
|                                   | 470                              | 6.3×11                    | 400   | 0.22                    | 0.87          |
|                                   | 1000                             | 8×11.5                    | 640   | 0.13                    | 0.52          |
|                                   | 2200                             | 10×16                     | 1300  | 0.062                   | 0.25          |
|                                   | 3300                             | 10×20                     | 1400  | 0.046                   | 0.18          |
|                                   | 4700                             | 12.5×25                   | 2230  | 0.032                   | 0.11          |
|                                   | 6800                             | 12.5×25                   | 2230  | 0.032                   | 0.11          |
|                                   | 10000                            | 16×25                     | 2930  | 0.021                   | 0.060         |
| 15000                             | 16×35.5                          | 3610                      | 0.015   | 0.044                   |               |
| 10<br>(1A)                        | 100                              | 5×11                      | 150   | 0.90                    | 3.6           |
|                                   | 220                              | 5×11                      | 250   | 0.40                    | 1.2           |
|                                   | 330                              | 6.3×11                    | 400   | 0.22                    | 0.87          |
|                                   | 470                              | 6.3×11                    | 400   | 0.22                    | 0.87          |
|                                   | 1000                             | 10×12.5                   | 865   | 0.080                   | 0.32          |
|                                   | 2200                             | 10×20                     | 1400  | 0.046                   | 0.18          |
|                                   | 3300                             | 12.5×20                   | 1900  | 0.041                   | 0.14          |
|                                   | 4700                             | 12.5×25                   | 2230  | 0.032                   | 0.11          |
|                                   | 6800                             | 16×25                     | 2930  | 0.021                   | 0.060         |
| 10000                             | 16×31.5                          | 3450                      | 0.019   | 0.056                   |               |
| 16<br>(1C)                        | 47                               | 5×11                      | 250   | 0.40                    | 1.2           |
|                                   | 100                              | 5×11                      | 250   | 0.40                    | 1.2           |
|                                   | 220                              | 6.3×11                    | 400   | 0.22                    | 0.87          |
|                                   | 330                              | 6.3×11                    | 400   | 0.22                    | 0.87          |
|                                   | 470                              | 8×11.5                    | 640   | 0.13                    | 0.52          |
|                                   | 1000                             | 10×16                     | 1210  | 0.062                   | 0.25          |
|                                   | 2200                             | 12.5×20                   | 1900  | 0.041                   | 0.14          |
|                                   | 3300                             | 12.5×25                   | 2230  | 0.032                   | 0.11          |
| 4700                              | 16×25                            | 2930                      | 0.021   | 0.060                   |               |
| 6800                              | 16×31.5                          | 3450                      | 0.019   | 0.056                   |               |
| 25<br>(1E)                        | 33                               | 5×11                      | 250   | 0.40                    | 1.2           |
|                                   | 47                               | 5×11                      | 250   | 0.40                    | 1.2           |
|                                   | 100                              | 5×11                      | 250   | 0.40                    | 1.2           |
|                                   | 220                              | 6.3×11                    | 400   | 0.22                    | 0.87          |
|                                   | 330                              | 8×11.5                    | 640   | 0.13                    | 0.52          |
|                                   | 470                              | 10×12.5                   | 865   | 0.080                   | 0.32          |
|                                   | 1000                             | 10×20                     | 1400  | 0.046                   | 0.18          |
|                                   | 2200                             | 12.5×25                   | 2230  | 0.032                   | 0.11          |
|                                   | 3300                             | 16×25                     | 2930  | 0.021                   | 0.060         |
|                                   | 4700                             | 16×31.5                   | 3450  | 0.019                   | 0.056         |
| 35<br>(1V)                        | 33                               | 5×11                      | 250   | 0.40                    | 1.2           |
|                                   | 47                               | 5×11                      | 250   | 0.40                    | 1.2           |
|                                   | 100                              | 6.3×11                    | 400   | 0.22                    | 0.87          |
|                                   | 220                              | 8×11.5                    | 640   | 0.13                    | 0.52          |
|                                   | 330                              | 10×12.5                   | 865   | 0.080                   | 0.32          |
|                                   | 470                              | 10×16                     | 1210  | 0.062                   | 0.25          |
|                                   | 1000                             | 12.5×20                   | 1900  | 0.041                   | 0.14          |
|                                   | 2200                             | 16×25                     | 2930  | 0.021                   | 0.060         |
| 3300                              | 16×31.5                          | 3450                      | 0.019   | 0.056                   |               |

| 额定电压<br>Rated Voltage<br>(V · DC) | 额定静电容量<br>Rated capacitance (μF) | 外形尺寸<br>Size<br>φ D×L(mm) | 额定纹波电流<br>Rated ripple current<br>(mA r.m.s./105°C, 100kHz) | 阻抗 (Ω MAX)<br>Impedance |               |
|-----------------------------------|----------------------------------|---------------------------|---|-------------------------|---------------|
|                                   |                                  |                           |   | 20°C, 100kHz            | -10°C, 100kHz |
| 50<br>(1H)                        | 0.47                             | 5×11                      | 17  | 5.5                     | 12.0          |
|                                   | 1                                | 5×11                      | 30  | 4.0                     | 8.0           |
|                                   | 2.2                              | 5×11                      | 43  | 2.5                     | 6.0           |
|                                   | 3.3                              | 5×11                      | 53  | 2.2                     | 5.6           |
|                                   | 4.7                              | 5×11                      | 88  | 1.9                     | 5.0           |
|                                   | 10                               | 5×11                      | 100   | 1.5                     | 4.0           |
|                                   | 22                               | 5×11                      | 180   | 0.70                    | 2.8           |
|                                   | 33                               | 5×11                      | 250   | 0.70                    | 2.8           |
|                                   | 47                               | 6.3×11                    | 295   | 0.30                    | 1.2           |
|                                   | 100                              | 8×11.5                    | 555   | 0.17                    | 0.68          |
|                                   | 220                              | 10×16                     | 1050  | 0.084                   | 0.34          |
|                                   | 330                              | 10×20                     | 1220  | 0.060                   | 0.24          |
|                                   | 470                              | 12.5×20                   | 1660  | 0.045                   | 0.15          |
|                                   | 1000                             | 16×25                     | 2730  | 0.032                   | 0.096         |
| 2200                              | 16×35.5                          | 3150                      | 0.019   | 0.057                   |               |
| 63<br>(1J)                        | 10                               | 5×11                      | 173   | 0.88                    | 3.5           |
|                                   | 22                               | 5×11                      | 173   | 0.88                    | 3.5           |
|                                   | 33                               | 6.3×11                    | 278   | 0.35                    | 1.4           |
|                                   | 47                               | 6.3×11                    | 278   | 0.35                    | 1.4           |
|                                   | 100                              | 10×12.5                   | 725   | 0.15                    | 0.60          |
|                                   | 220                              | 10×20                     | 1200  | 0.078                   | 0.31          |
|                                   | 330                              | 12.5×20                   | 1570  | 0.060                   | 0.19          |
|                                   | 470                              | 12.5×25                   | 1990  | 0.043                   | 0.14          |
|                                   | 1000                             | 16×25                     | 2730  | 0.032                   | 0.096         |
| 100<br>(2A)                       | 0.47                             | 5×11                      | 15  | 6.0                     | 17.0          |
|                                   | 1                                | 5×11                      | 20  | 4.5                     | 15.0          |
|                                   | 2.2                              | 5×11                      | 30  | 3.0                     | 13.0          |
|                                   | 3.3                              | 5×11                      | 40  | 2.7                     | 11.0          |
|                                   | 4.7                              | 5×11                      | 65  | 2.5                     | 10.0          |
|                                   | 10                               | 6.3×11                    | 267   | 0.57                    | 2.3           |
|                                   | 22                               | 6.3×11                    | 267   | 0.57                    | 2.3           |
|                                   | 33                               | 8×11.5                    | 462   | 0.36                    | 1.4           |
|                                   | 47                               | 8×16                      | 585   | 0.25                    | 1.0           |
|                                   | 100                              | 10×20                     | 1040  | 0.12                    | 0.52          |
|                                   | 220                              | 12.5×25                   | 1620  | 0.060                   | 0.23          |
| 330                               | 16×25                            | 2210                      | 0.044   | 0.16                    |               |

## X-ON Electronics

Largest Supplier of Electrical and Electronic Components

*Click to view similar products for [Aluminium Electrolytic Capacitors - Radial Leaded](#) category:*

*Click to view products by [Rubycon](#) manufacturer:*

Other Similar products are found below :

[LXY50VB4.7M-5X11](#) [RFO-100V471MJ7P#](#) [ECE-A1EGE220](#) [B41041A2687M8](#) [B41041A7226M8](#) [B41044A7157M6](#)  
[EKXG201EC3101ML20S](#) [EKZM160ETD471MHB5D](#) [NCD681K10KVY5PF](#) [NEV1000M25EF-BULK](#) [NEV100M35DC](#) [NEV100M63DE](#)  
[NEV220M25DD-BULK](#) [NEV.33M100AA](#) [NEV4700M50HB](#) [NEV.47M100AA](#) [NEVH1.0M250AB](#) [NEVH3.3M250BB](#) [NEVH3.3M450CC](#)  
[KM4700/16](#) [KME50VB100M-8X11.5](#) [SG220M1CSA-0407](#) [ES5107M016AE1DA](#) [ESMG160ETD102MJ16S](#) [ESX472M16B](#)  
[SZ010M1500A5S-1015](#) [227RZS050M](#) [476CKH100MSA](#) [477RZS050M](#) [UVX1V101KPA1FA](#) [UVX1V222MHA1CA](#) [KME25VB100M-](#)  
[6.3X11](#) [VTL100S10](#) [VTL470S10](#) [VTL470S16A](#) [511D336M250EK5D](#) [052687X](#) [ECE-A1CF471](#) [EKMA500ELL4R7ME07D](#) [NRE-](#)  
[S560M16V6.3X7TBSTF](#) [RGA221M1CTA-0611G](#) [ERZA630VHN182UP54N](#) [UPL1A331MPH](#) [SK035M0100AZS-0611](#) [NEV1000M6.3DE](#)  
[NEV100M16CB](#) [NEV100M50DD-BULK](#) [NEV2200M16FF](#) [NEV220M50EE](#) [NEV2.2M50AA](#)