

### Features

- Super-fast recovery time for high efficiency
- Glass passivated chip junction
- Low leakage current
- High forward surge capability
- Solder dip maximum peak of 275 °C /7s, per JESD 22-B106

### Typical Application

For use in high frequency rectification and freewheeling application in switching mode converters and inverters for consumer ,computer and telecommunication.

### Mechanical Data

- Package: ITO-220AB  
Molding compound meets UL 94 V-0 flammability rating, RoHS-compliant
- Terminals: Tin plated leads, solderable per J-STD-002 and JESD22-B102
- Polarity: Color Band denotes cathode end



### Maximum Ratings (Ta=25°C Unless otherwise specified)

PARAMETER	Symbol	Unit	Conditions	MUR-FCT				
				1010	1015	1020	1040	1060
Repetitive Peak Reverse Voltage	$V_{RRM}$	V		100	150	200	400	600
Average Rectified Output Current	$I_o$	A	60HZ Half-sine wave, Resistance load, TC(Fig.1)	10				
Surge(Nonrepetitive)Forward Current	$I_{FSM}$	A	60HZ Half-sine wave, 1 cycle, Ta=25°C	120				
Current Squared Time	$I^2t$	A <sup>2</sup> s	1ms≤t<8.3ms Tj=25°C	59.5				
Storage Temperature	$T_{stg}$	°C		-55 ~ +150				
Junction Temperature	$T_j$	°C		-55 ~ +150				

### Electrical Characteristics (Ta=25°C Unless otherwise specified)

PARAMETER	Symbol	Unit	Conditions	MUR-FCT				
				1010	1015	1020	1040	1060
Peak Forward Voltage	$V_{FM}$	V	$I_{FM}=5A$	0.975			1.3	1.7
Peak Reverse Current	$I_{RRM1}$	μA	$V_{RM}=V_{RRM}$	$T_a=25^\circ C$				
	$I_{RRM2}$			$T_a=125^\circ C$				
Reverse Recovery Time	$T_{rr}$	ns	$I_F=0.5A, I_R=1.0A, I_{rr}=0.25A$	35				
Thermal Resistance(Typical)	$R_{\theta J-C}$	°C/W	Between junction and ambient	2.0				



## MUR1010FCT THRU MUR1060FCT

■ Characteristics (Typical)

FIG1: Forward Current Derating Curve

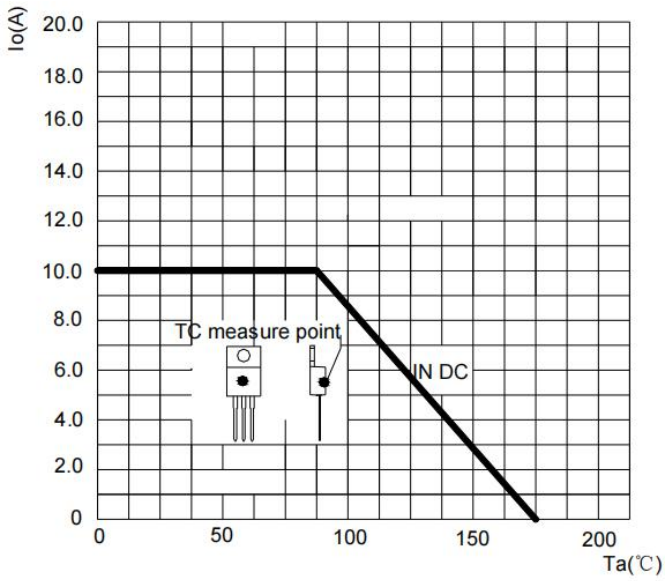


FIG2: Surge Forward Current Capability

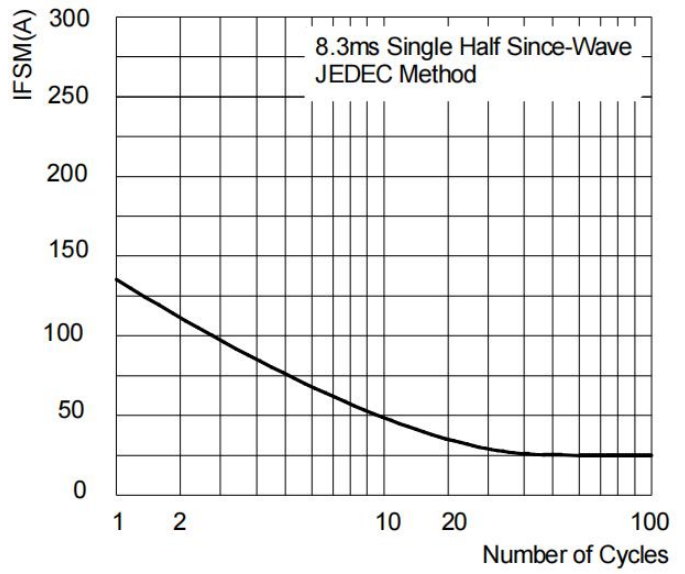


FIG3: Instantaneous Forward Voltage

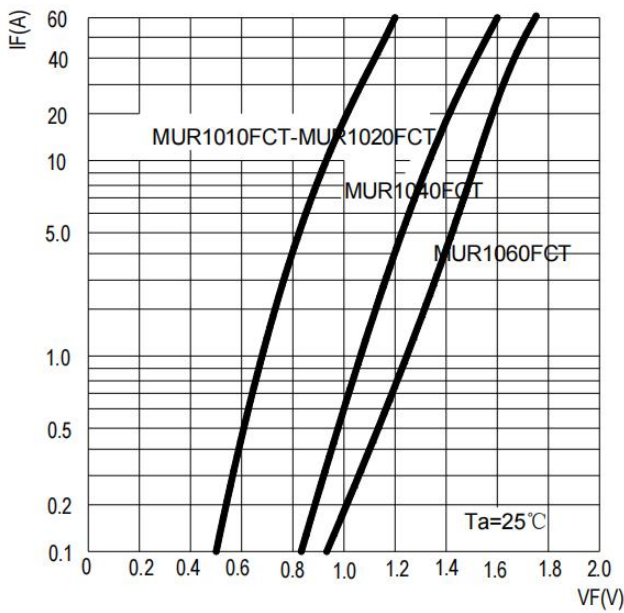


FIG4: Typical Reverse Characteristics

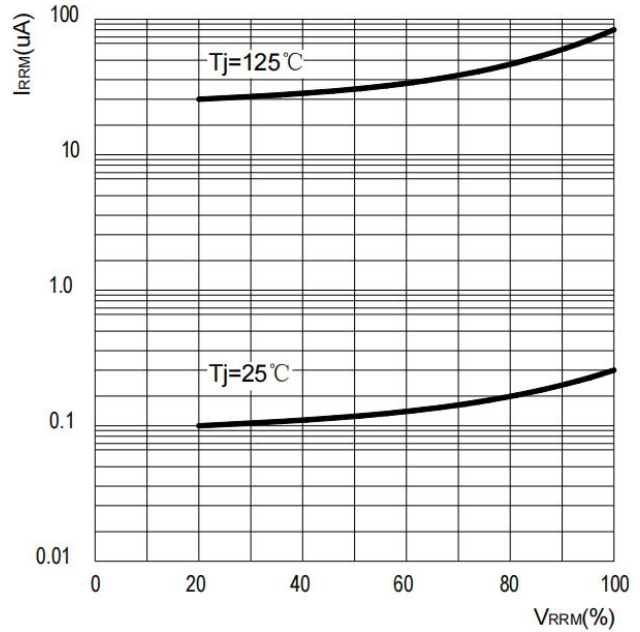
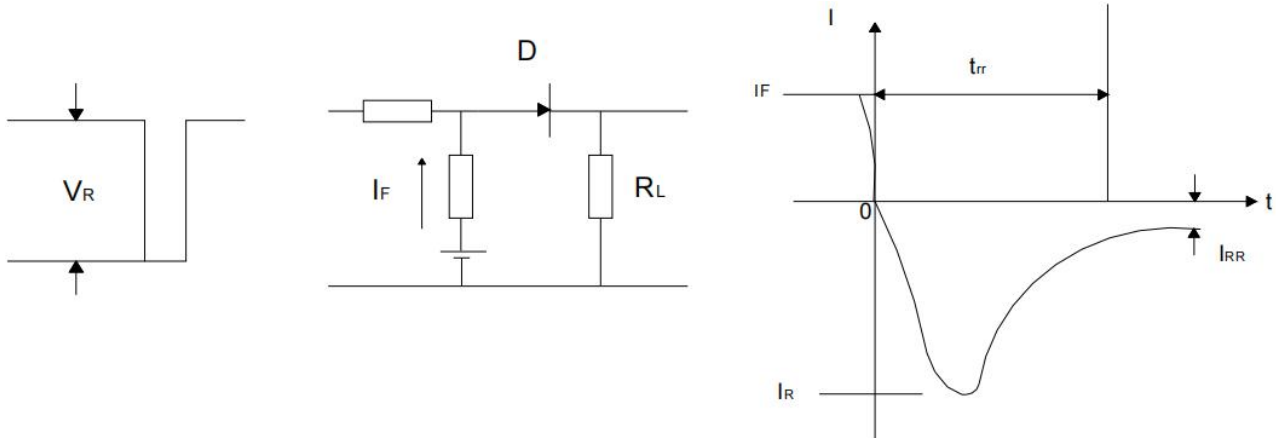


FIG5: Diagram of circuit and Testing wave form of reverse recovery time

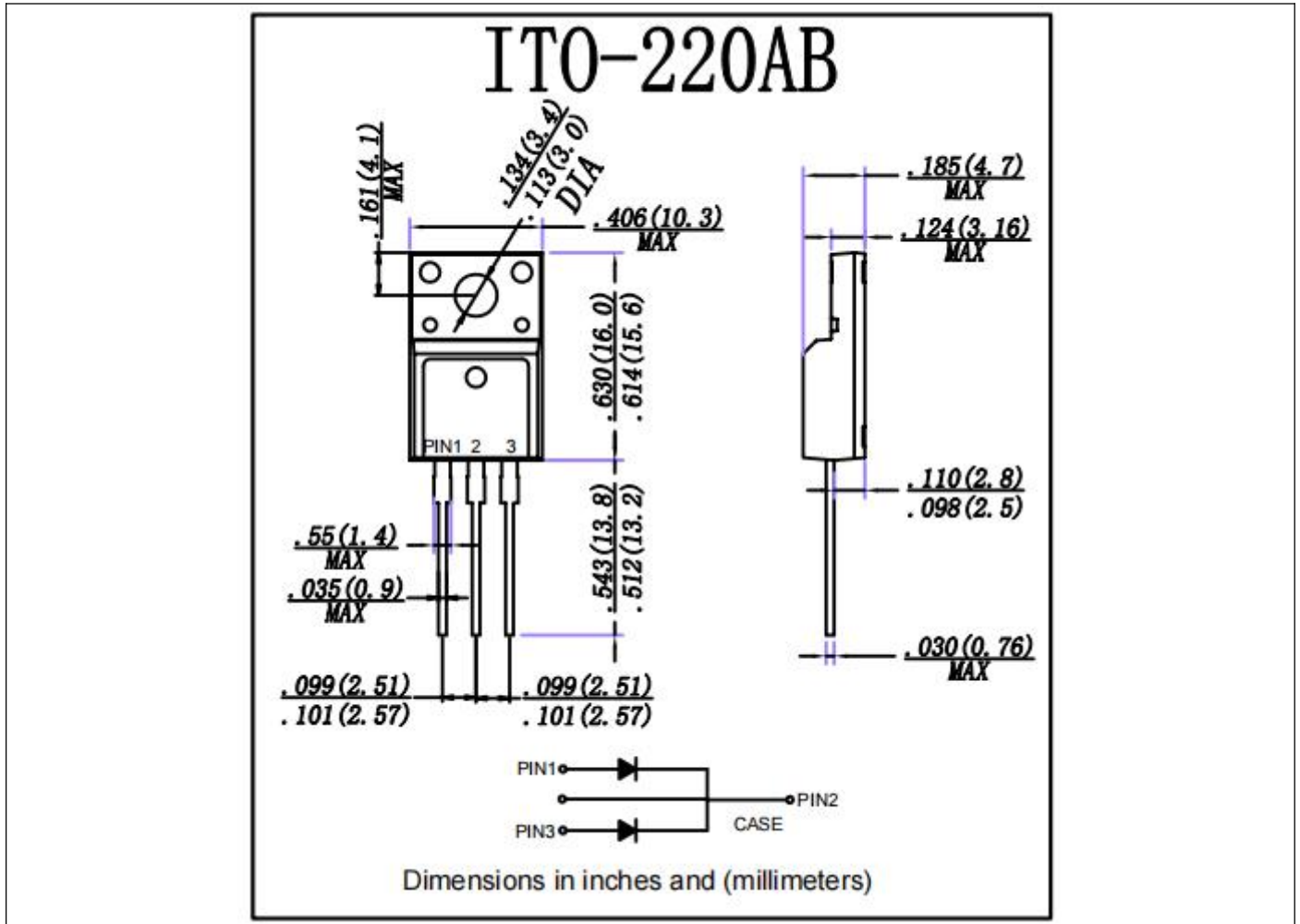


## MUR1010FCT THRU MUR1060FCT

### Ordering Information (Example)

PREFERED	PACKAGE CODE	MINIMUM PACKAGE(pcs)	INNER BOX QUANTITY(pcs)	OUTER CARTON QUANTITY(pcs)	DELIVERY MODE
MUR1010FCT~MUR1060FCT	ITO-220AB	50	1000	5000	Tube

### Outline Dimensions



## X-ON Electronics

Largest Supplier of Electrical and Electronic Components

*Click to view similar products for [Rectifiers](#) category:*

*Click to view products by [Ruilongyuan](#) manufacturer:*

Other Similar products are found below :

[70HFR40](#) [FR105 R0](#) [RL252-TP](#) [1N5397](#) [1N4005-TR](#) [1N4007-BP](#) [UFS120Je3/TR13](#) [20ETS12S](#) [RRE02VS6SGTR](#) [MS306](#) [A1N5404G-G](#)  
[CRF02\(T5L,TEMQ\)](#) [ACGRB207-HF](#) [CLH07\(TE16L,Q\)](#) [CLH03\(TE16L,Q\)](#) [1N5395-TP](#) [UES1302](#) [ACGRC307-HF](#) [ACEFC304-HF](#) [DZ-](#)  
[1380](#) [85HFR60](#) [40HFR60](#) [70HF120](#) [85HFR80](#) [SCF7500](#) [SM100](#) [ACGRA4001-HF](#) [SKN70/08](#) [NTE5819](#) [NTE5827](#) [NTE5828](#) [NTE5911](#)  
[NTE5915](#) [NTE6104](#) [NTE6163](#) [NTE6164](#) [NTE6165](#) [NTE6364](#) [TSD3G](#) [SET130312](#) [NRVUS110VT3G](#) [UES1106](#) [UES1306](#)  
[NRVUS240VT3G](#) [D5FE60-5063](#) [R4000GPS-TP](#) [D4015L56TP](#) [UES1306HR2](#) [FX20K120](#) [D20XB60-7101](#)