

# MUR1610CT THRU MUR1660CT

## Ultra-Fast Recovery Rectifier Diodes

### Features

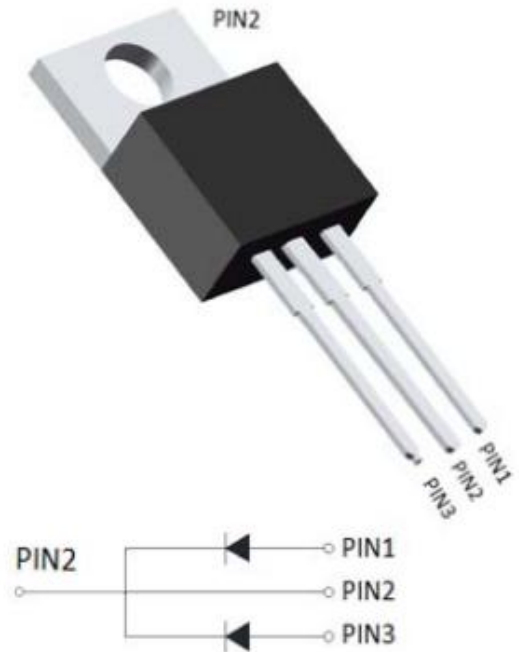
- Super-fast recovery time for high efficiency
- Glass passivated chip junction
- Low leakage current
- High forward surge capability

### Typical Application

For use in high frequency rectification and freewheeling application in switching mode converters and inverters for consumer ,computer and telecommunication.

### Mechanical Data

- Package: TO-220AB  
Molding compound meets UL 94 V-0 flammability rating,RoHS-compliant
- Terminals: Tin plated leads, solderable per J-STD-002 and JESD22-B102
- Polarity: Color Band denotes cathode end



### Maximum Ratings (Ta=25°C Unless otherwise specified)

PARAMETER	Symbol	Unit	Conditions	MUR-CT				
				1610	1615	1620	1640	1660
Repetitive Peak Reverse Voltage	$V_{RRM}$	V		100	150	200	400	600
Average Forward Current	$I_o$	A	60HZ sine wave, R- load, Ta=25°C	16				
Surge(Nonrepetitive)Forward Current	$I_{FSM}$	A	60HZ sine wave, 1 cycle, Ta=25°C	100				
Current Squared Time	$I^2 t$	A <sup>2</sup> s	1ms≤t<8.3ms Tj=25°C,Rating of per diode	41				
Storage Temperature	$T_{stg}$	°C		-55 ~ +150				
Junction Temperature	$T_j$	°C		-55 ~ +150				

### Electrical Characteristics (Ta=25°C Unless otherwise specified) 电特性

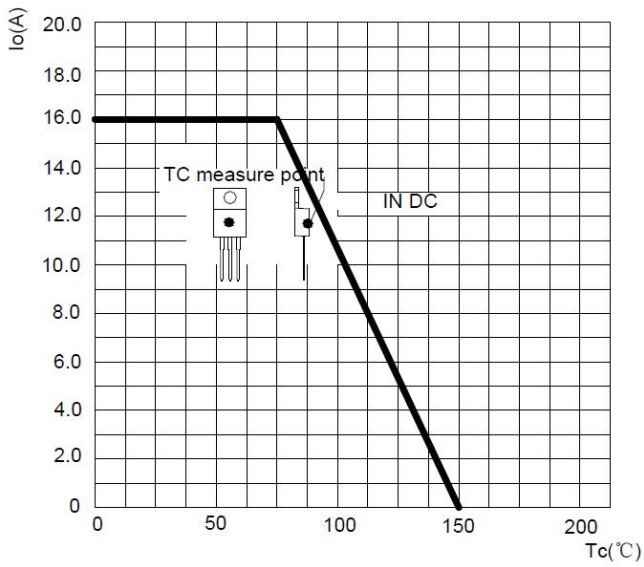
PARAMETER	Symbol	Unit	Conditions	MUR-CT				
				1610	1615	1620	1640	1660
Peak Forward Voltage	$V_{FM}$	V	$I_{FM}=8.0A$	0.95			1.30	1.7
Peak Reverse Current	$I_{RRM1}$	μA	$V_{RM}=V_{RRM}$	Ta=25°C				
	$I_{RRM2}$			Ta=125°C				
Maximum reverse recovery time	$T_{rr}$	ns	$I_F=0.5A, I_R=1.0A, I_{rr}=0.25A$	35			50	
Thermal Resistance	$R_{θJ-C}$	$R_{θJ-C}$	Between junction and case	2.0				



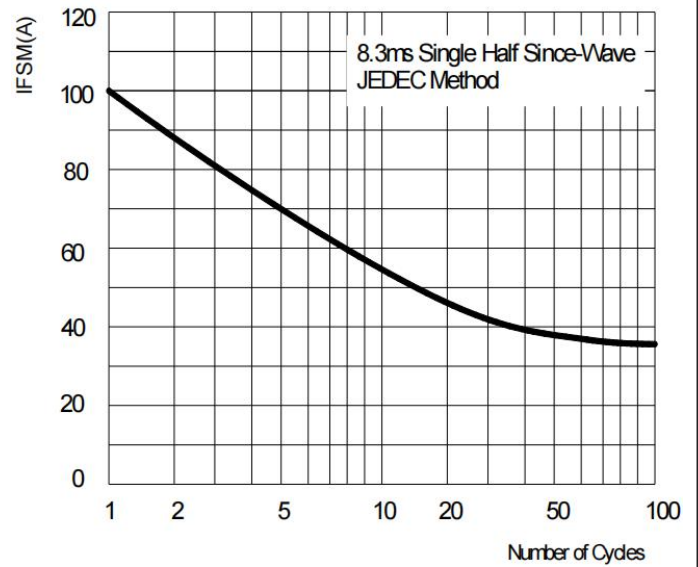
## MUR1610CT THRU MUR1660CT

### ■ Characteristics (Typical)

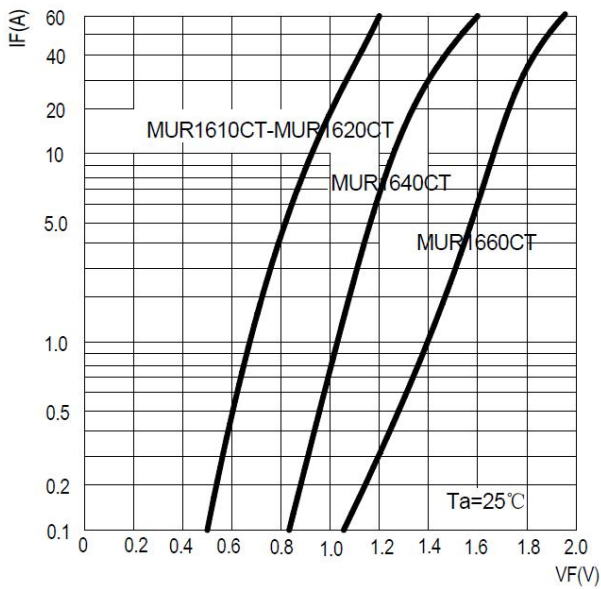
**FIG1: Forward Current Derating Curve**



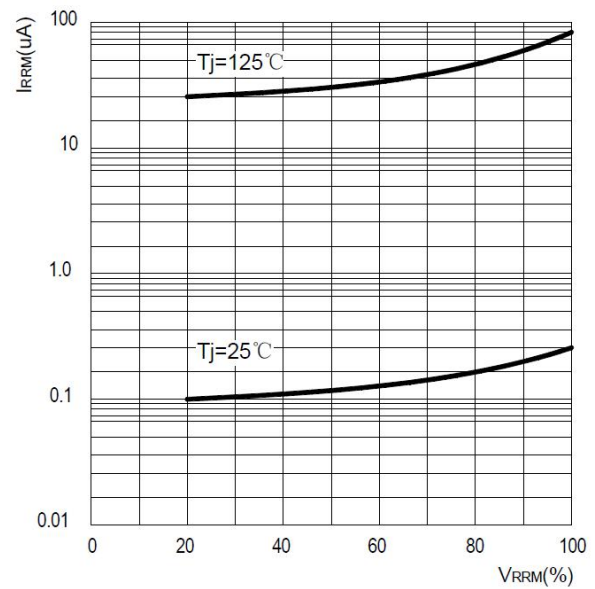
**FIG2: Surge Forward Current Capability**



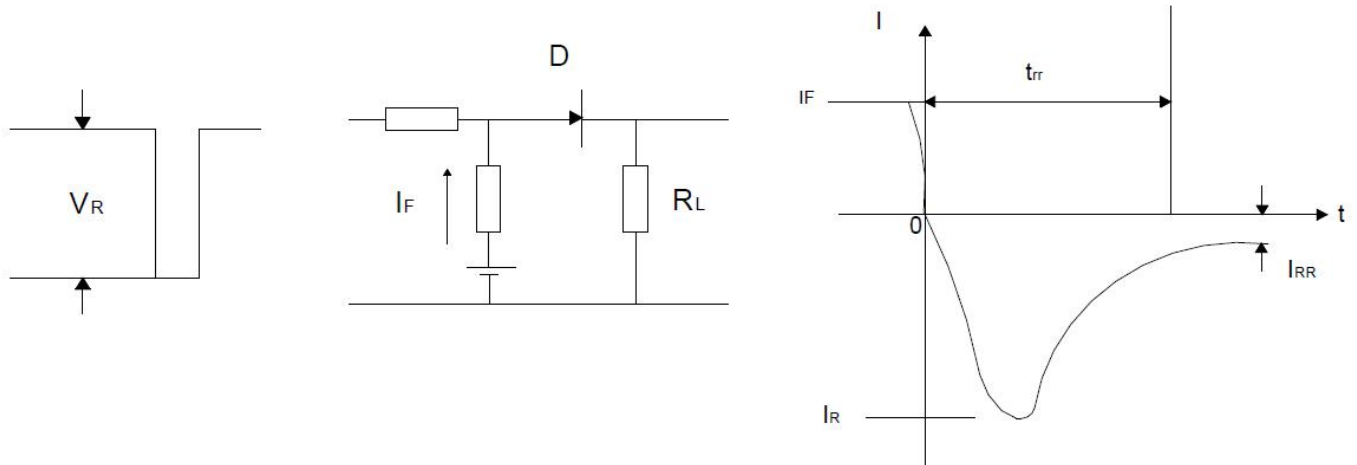
**FIG3: Instantaneous Forward Voltage**



**FIG4: Typical Reverse Characteristics**



**FIG5: Diagram of circuit and Testing wave form of reverse recovery time**

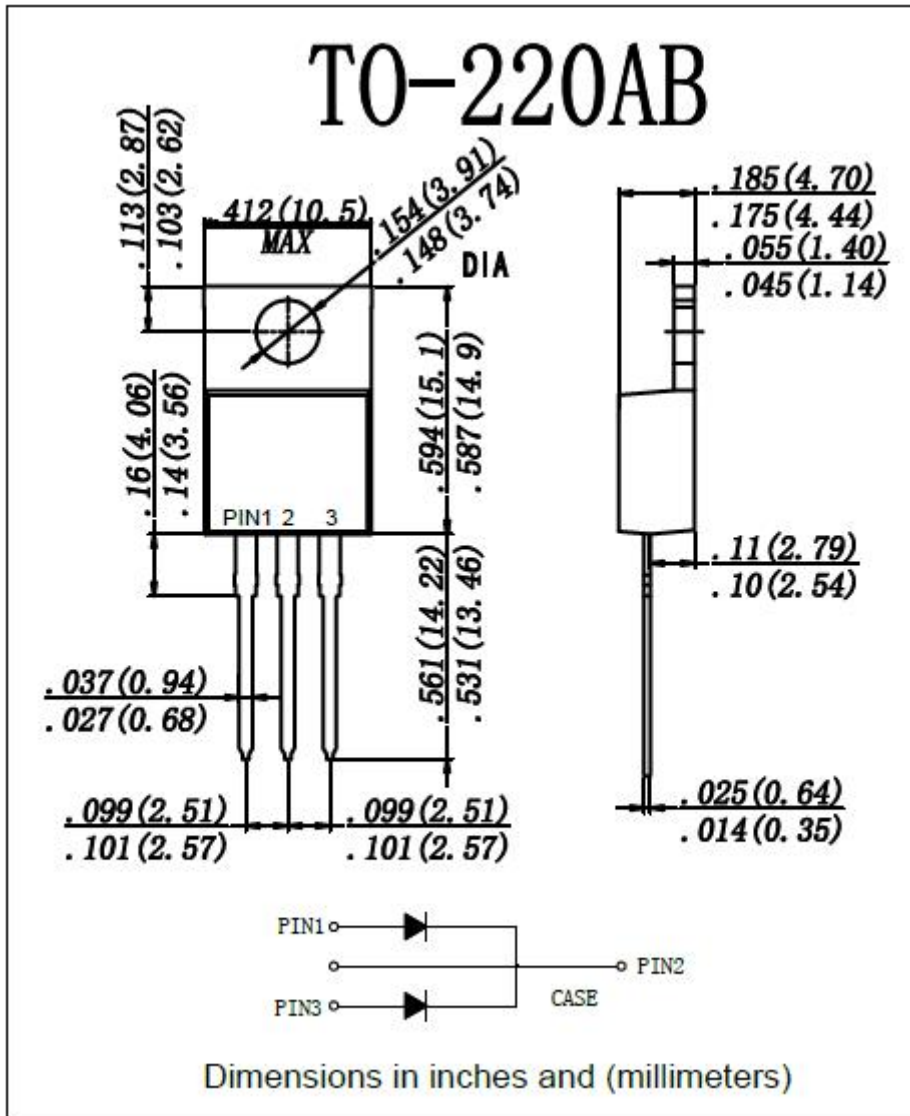


# MUR1610CT THRU MUR1660CT

## Ordering Information (Example)

PREFERED	PACKAGE CODE	MINIMUM PACKAGE(pcs)	INNER BOX QUANTITY(pcs)	OUTER CARTON QUANTITY(pcs)	DELIVERY MODE
MUR1610CT~MUR1660CT	TO-220AB	50	1000	5000	Tube

## Outline Dimensions



## X-ON Electronics

Largest Supplier of Electrical and Electronic Components

*Click to view similar products for [Rectifiers](#) category:*

*Click to view products by [Ruilongyuan](#) manufacturer:*

Other Similar products are found below :

[70HFR40](#) [FR105 R0](#) [RL252-TP](#) [1N5397](#) [1N4005-TR](#) [1N4007-BP](#) [UFS120Je3/TR13](#) [20ETS12S](#) [RRE02VS6SGTR](#) [MS306](#) [A1N5404G-G](#)  
[CRF02\(T5L,TEMQ\)](#) [ACGRB207-HF](#) [CLH07\(TE16L,Q\)](#) [CLH03\(TE16L,Q\)](#) [1N5395-TP](#) [UES1302](#) [ACGRC307-HF](#) [ACEFC304-HF](#) [DZ-](#)  
[1380](#) [85HFR60](#) [40HFR60](#) [70HF120](#) [85HFR80](#) [SCF7500](#) [SM100](#) [ACGRA4001-HF](#) [SKN70/08](#) [NTE5819](#) [NTE5827](#) [NTE5828](#) [NTE5911](#)  
[NTE5915](#) [NTE6104](#) [NTE6163](#) [NTE6164](#) [NTE6165](#) [NTE6364](#) [TSD3G](#) [SET130312](#) [NRVUS110VT3G](#) [UES1106](#) [UES1306](#)  
[NRVUS240VT3G](#) [D5FE60-5063](#) [R4000GPS-TP](#) [D4015L56TP](#) [UES1306HR2](#) [FX20K120](#) [D20XB60-7101](#)