

Features

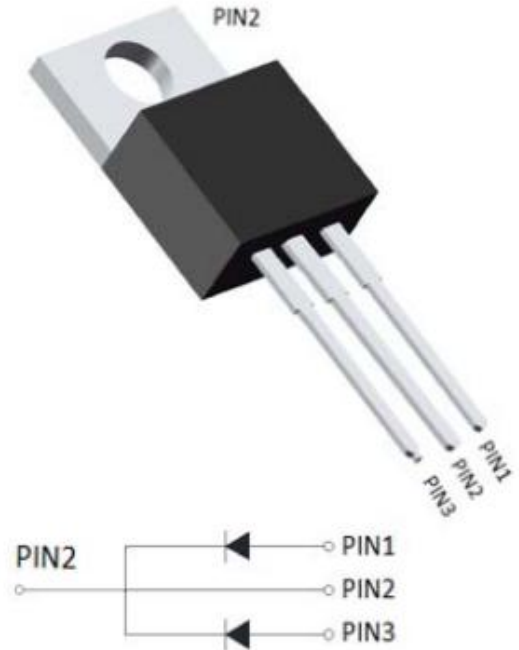
- Super-fast recovery time for high efficiency
- Glass passivated chip junction
- Low leakage current
- High forward surge capability

Typical Application

For use in high frequency rectification and freewheeling application in switching mode converters and inverters for consumer ,computer and telecommunication.

Mechanical Data

- Package: TO-220AB
Molding compound meets UL 94 V-0 flammability rating,RoHS-compliant
- Terminals: Tin plated leads, solderable per J-STD-002 and JESD22-B102
- Polarity: Color Band denotes cathode end



Maximum Ratings (Ta=25°C Unless otherwise specified)

PARAMETER	Symbol	Unit	Conditions	MUR-CT				
				1610	1615	1620	1640	1660
Repetitive Peak Reverse Voltage	V_{RRM}	V		100	150	200	400	600
Average Forward Current	I_o	A	60HZ sine wave, R- load, Ta=25°C	16				
Surge(Nonrepetitive)Forward Current	I_{FSM}	A	60HZ sine wave, 1 cycle, Ta=25°C	100				
Current Squared Time	$I^2 t$	A ² s	1ms≤t<8.3ms Tj=25°C,Rating of per diode	41				
Storage Temperature	T_{stg}	°C		-55 ~ +150				
Junction Temperature	T_j	°C		-55 ~ +150				

Electrical Characteristics (Ta=25°C Unless otherwise specified) 电特性

PARAMETER	Symbol	Unit	Conditions	MUR-CT				
				1610	1615	1620	1640	1660
Peak Forward Voltage	V_{FM}	V	$I_{FM}=8.0A$	0.95			1.30	1.7
Peak Reverse Current	I_{RRM1}	μA	$V_{RM}=V_{RRM}$	Ta=25°C				
	I_{RRM2}			Ta=125°C				
Maximum reverse recovery time	T_{rr}	ns	$I_F=0.5A, I_R=1.0A, I_{rr}=0.25A$	35			50	
Thermal Resistance	$R_{θJ-C}$	$R_{θJ-C}$	Between junction and case	2.0				



MUR1610CT THRU MUR1660CT

■ Characteristics (Typical)

FIG1: Forward Current Derating Curve

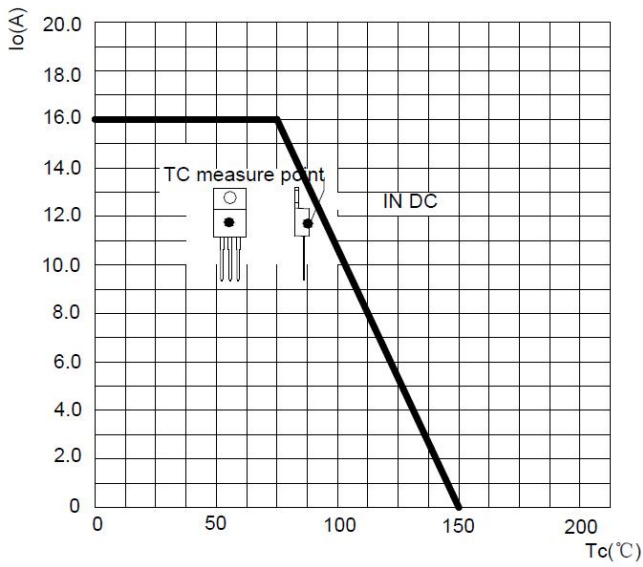


FIG2: Surge Forward Current Capability

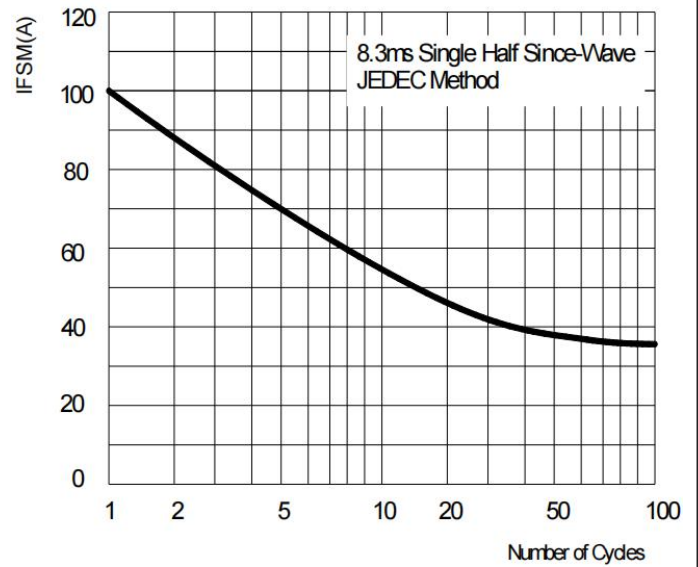


FIG3: Instantaneous Forward Voltage

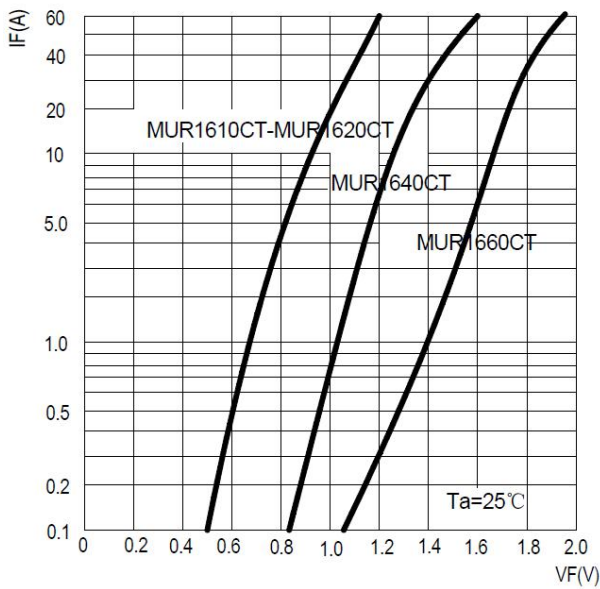


FIG4: Typical Reverse Characteristics

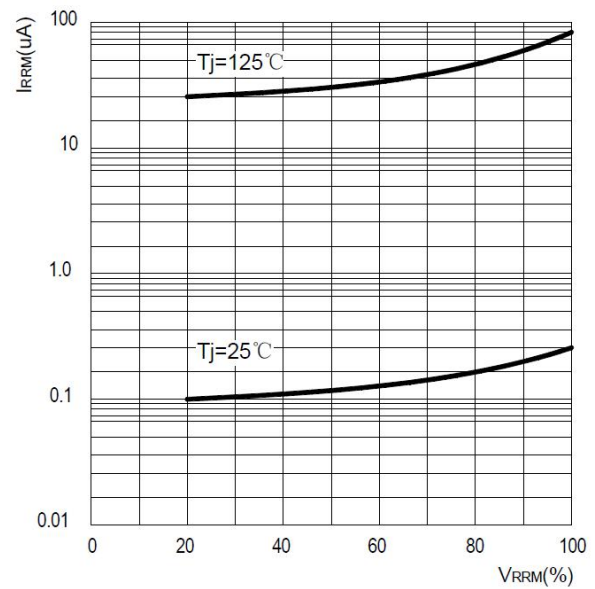
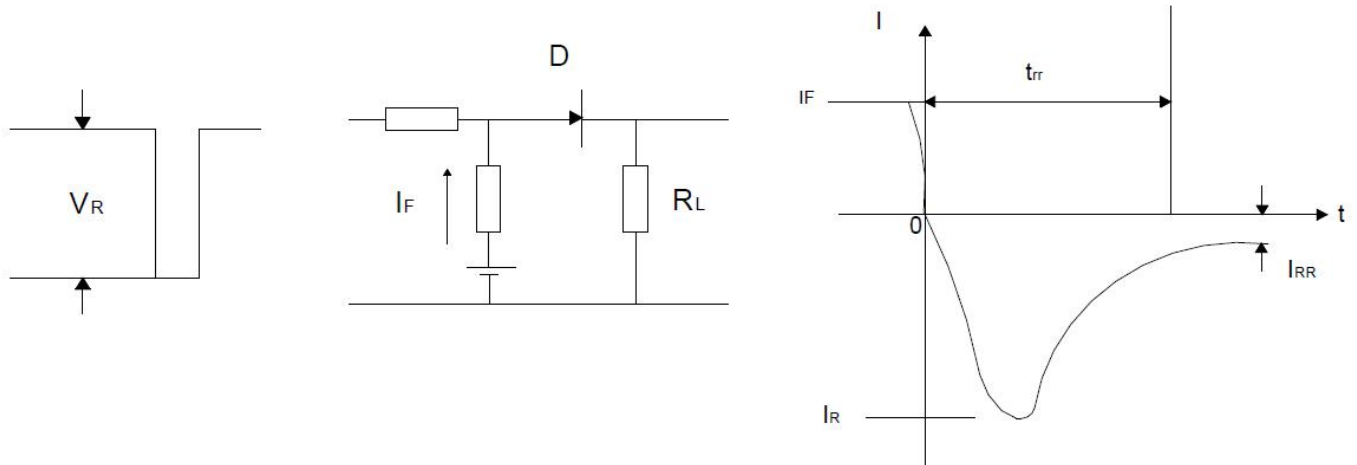


FIG5: Diagram of circuit and Testing wave form of reverse recovery time

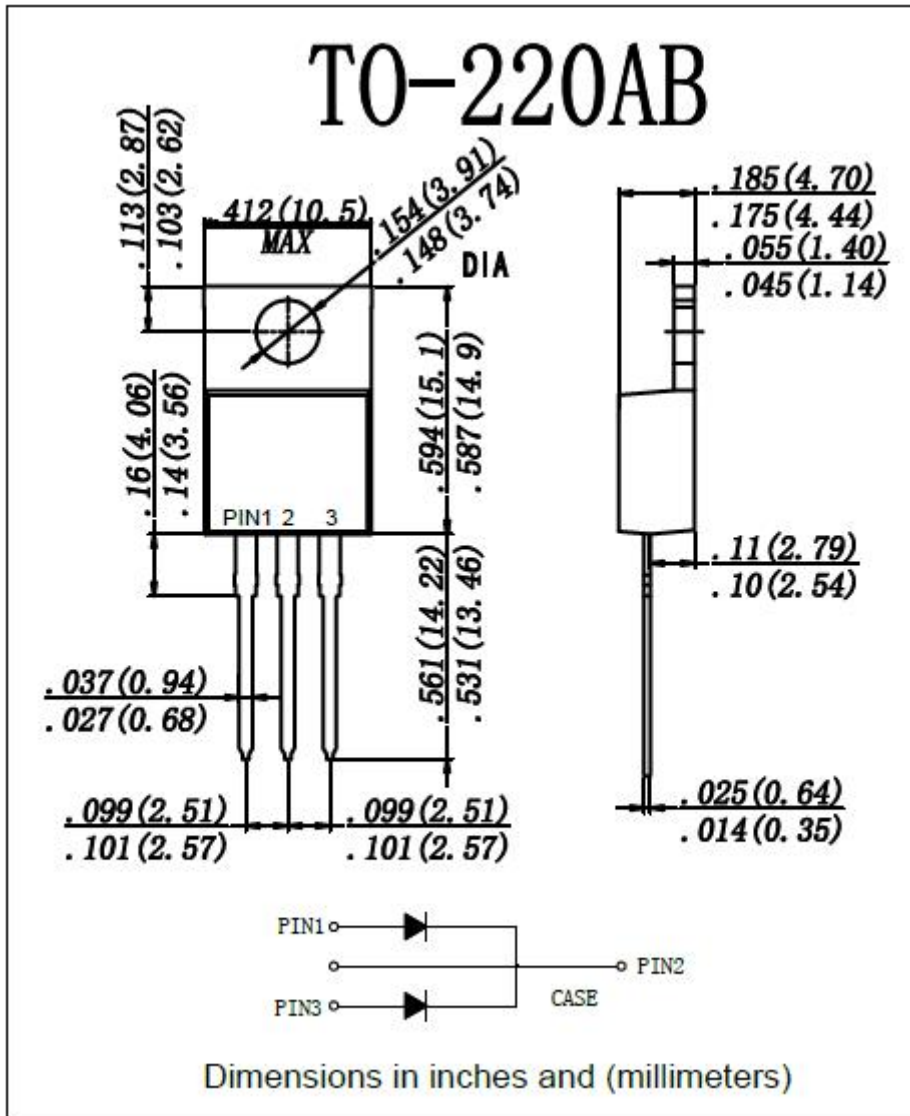


MUR1610CT THRU MUR1660CT

Ordering Information (Example)

PREFERED	PACKAGE CODE	MINIMUM PACKAGE(pcs)	INNER BOX QUANTITY(pcs)	OUTER CARTON QUANTITY(pcs)	DELIVERY MODE
MUR1610CT~MUR1660CT	TO-220AB	50	1000	5000	Tube

Outline Dimensions



X-ON Electronics

Largest Supplier of Electrical and Electronic Components

Click to view similar products for [Rectifiers](#) category:

Click to view products by [Ruilongyuan](#) manufacturer:

Other Similar products are found below :

[70HFR40](#) [FR105 R0](#) [RL252-TP](#) [1N5397](#) [1N4005-TR](#) [1N4007-BP](#) [UFS120Je3/TR13](#) [20ETS12S](#) [RRE02VS6SGTR](#) [MS306](#) [A1N5404G-G](#)
[CRF02\(T5L,TEMQ\)](#) [ACGRB207-HF](#) [CLH07\(TE16L,Q\)](#) [CLH03\(TE16L,Q\)](#) [1N5395-TP](#) [UES1302](#) [ACGRC307-HF](#) [ACEFC304-HF](#) [DZ-](#)
[1380](#) [85HFR60](#) [40HFR60](#) [70HF120](#) [85HFR80](#) [SCF7500](#) [SM100](#) [ACGRA4001-HF](#) [SKN70/08](#) [NTE5819](#) [NTE5827](#) [NTE5828](#) [NTE5911](#)
[NTE5915](#) [NTE6104](#) [NTE6163](#) [NTE6164](#) [NTE6165](#) [NTE6364](#) [TSD3G](#) [SET130312](#) [NRVUS110VT3G](#) [UES1106](#) [UES1306](#)
[NRVUS240VT3G](#) [D5FE60-5063](#) [R4000GPS-TP](#) [D4015L56TP](#) [UES1306HR2](#) [FX20K120](#) [D20XB60-7101](#)