

Thyristor Surge Suppressors

P0060~P3500SA_B_C Serie

Description

P0060~P3500SA_B_C Series are low capacitance devices designed to protect broadband equipment such as VOIP, DSL modems and DSLAMs from damaging overvoltage transients.

The series provides a surface mount solution that enables equipment to comply with global regulatory standards while limiting the impact to broadband signals.



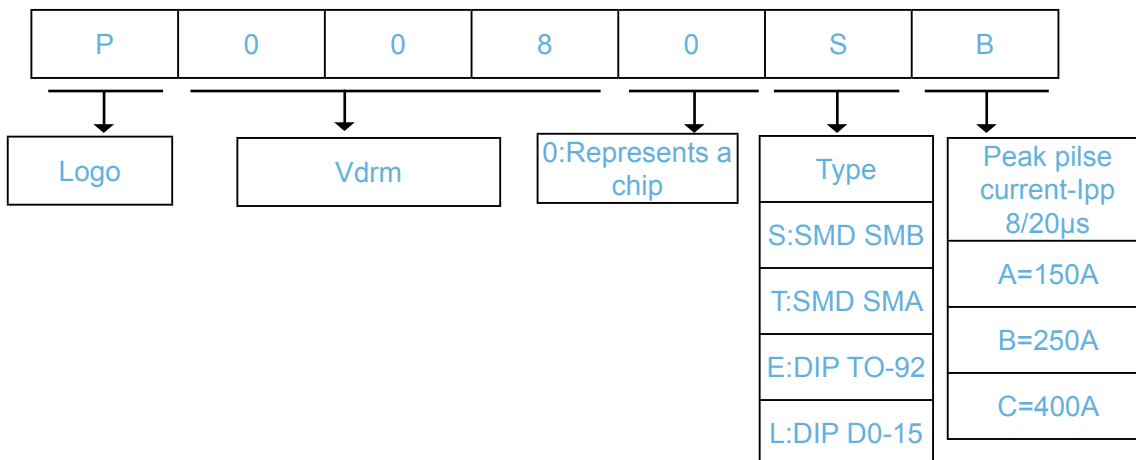
Features and Benefits

- Low voltage overshoot
- Low on-state voltage
- Does not degrade with use
- Fails short circuit when surged in excess of ratings
- Low Capacitance

Applicable Global Standards

- TIA-968-A
- ITU K.20/21 Enhanced level*
- ITU K.20/21 Basic Level
- GR 1089 Inter building*
- GR 1089 Inter building
- IEC 6100-4-5
- YD/T 1082
- YD/T 993
- YD/T 950

Product Name



Electrical Characteristics (@ TA = 25 °C Unless Otherwise Noted)

| Type Number | V _{DRM} | I _{DRM} | V _{BO} | I _H | I _S | I _T | V _T | C _J | | Package Dimensions inch(mm) |
|-------------|------------------|------------------|-----------------|----------------|----------------|----------------|----------------|-------------------|-------------------|---|
| | V | μA | V | MA | MA | A | V | pF _{Min} | pF _{Max} | |
| P0080SA | 6 | 5 | 25 | 50 | 800 | 2.2 | 4 | 25 | 150 | <p style="text-align: center;">SMB/DO-214AA</p> |
| P0080SB | 6 | 5 | 25 | 50 | 800 | 2.2 | 4 | 25 | 150 | |
| P0080SC | 6 | 5 | 25 | 50 | 800 | 2.2 | 4 | 35 | 260 | |
| P0300SA | 25 | 5 | 40 | 50 | 800 | 2.2 | 4 | 15 | 140 | |
| P0300SB | 25 | 5 | 40 | 50 | 800 | 2.2 | 4 | 15 | 140 | |
| P0300SC | 25 | 5 | 40 | 50 | 800 | 2.2 | 4 | 25 | 250 | |
| P0640SA | 58 | 5 | 77 | 150 | 800 | 2.2 | 4 | 40 | 60 | |
| P0640SB | 58 | 5 | 77 | 150 | 800 | 2.2 | 4 | 40 | 60 | |
| P0640SC | 58 | 5 | 77 | 150 | 800 | 2.2 | 4 | 55 | 155 | |
| P0720SA | 65 | 5 | 88 | 150 | 800 | 2.2 | 4 | 35 | 60 | |
| P0720SB | 65 | 5 | 88 | 150 | 800 | 2.2 | 4 | 35 | 75 | |
| P0720SC | 65 | 5 | 88 | 150 | 800 | 2.2 | 4 | 50 | 150 | |
| P0900SA | 75 | 5 | 98 | 150 | 800 | 2.2 | 4 | 35 | 55 | |
| P0900SB | 75 | 5 | 98 | 150 | 800 | 2.2 | 4 | 35 | 70 | |
| P0900SC | 75 | 5 | 98 | 150 | 800 | 2.2 | 4 | 45 | 140 | |
| P1100SA | 90 | 5 | 130 | 150 | 800 | 2.2 | 4 | 30 | 50 | |
| P1100SB | 90 | 5 | 130 | 150 | 800 | 2.2 | 4 | 30 | 70 | |
| P1100SC | 90 | 5 | 130 | 150 | 800 | 2.2 | 4 | 45 | 115 | |
| P1300SA | 120 | 5 | 160 | 150 | 800 | 2.2 | 4 | 25 | 45 | |
| P1300SB | 120 | 5 | 160 | 150 | 800 | 2.2 | 4 | 25 | 60 | |
| P1300SC | 120 | 5 | 160 | 150 | 800 | 2.2 | 4 | 40 | 105 | |
| P1500SA | 140 | 5 | 180 | 150 | 800 | 2.2 | 4 | 25 | 40 | |
| P1500SB | 140 | 5 | 180 | 150 | 800 | 2.2 | 4 | 25 | 55 | |
| P1500SC | 140 | 5 | 180 | 150 | 800 | 2.2 | 4 | 35 | 95 | |
| P1800SA | 170 | 5 | 220 | 150 | 800 | 2.2 | 4 | 25 | 35 | |
| P1800SB | 170 | 5 | 220 | 150 | 800 | 2.2 | 4 | 25 | 50 | |
| P1800SC | 170 | 5 | 220 | 150 | 800 | 2.2 | 4 | 35 | 90 | |
| P2300SA | 190 | 5 | 260 | 150 | 800 | 2.2 | 4 | 25 | 35 | |
| P2300SB | 190 | 5 | 260 | 150 | 800 | 2.2 | 4 | 25 | 50 | |
| P2300SC | 190 | 5 | 260 | 150 | 800 | 2.2 | 4 | 30 | 80 | |
| P2600SA | 220 | 5 | 300 | 150 | 800 | 2.2 | 4 | 20 | 35 | |
| P2600SB | 220 | 5 | 300 | 150 | 800 | 2.2 | 4 | 20 | 45 | |
| P2600SC | 220 | 5 | 300 | 150 | 800 | 2.2 | 4 | 30 | 80 | |
| P3100SA | 275 | 5 | 350 | 150 | 800 | 2.2 | 4 | 20 | 35 | |
| P3100SB | 275 | 5 | 350 | 150 | 800 | 2.2 | 4 | 20 | 45 | |
| P3100SC | 275 | 5 | 350 | 150 | 800 | 2.2 | 4 | 30 | 70 | |
| P3500SA | 320 | 5 | 400 | 150 | 800 | 2.2 | 4 | 20 | 35 | |
| P3500SB | 320 | 5 | 400 | 150 | 800 | 2.2 | 4 | 20 | 40 | |
| P3500SC | 320 | 5 | 400 | 150 | 800 | 2.2 | 4 | 25 | 65 | |

Notes:
 - Absolute maximum ratings measured at TA= 25°C (unless otherwise noted).
 - Devices are bi-directional.

| SERIES | Peak Pulse Current-I _{pp} (A) | | | | |
|--------|--|--------|----------|----------|-----------|
| | 2/10μs | 8/20μs | 10/160μs | 10/560μs | 10/1000μs |
| A | 200 | 150 | 100 | 60 | 50 |
| B | 250 | 250 | 150 | 100 | 80 |
| C | 500 | 400 | 200 | 120 | 100 |

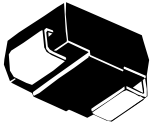
Surge Ratings

| Series | I_{PP} | | | | | I_{TSM} 50/60 Hz | di/dt |
|--------|--------------|--------------|----------------|----------------|-----------------|-----------------------|----------------|
| | 2x10 μ s | 8x20 μ s | 10x160 μ s | 10x560 μ s | 10x1000 μ s | | |
| | A min | A min | A min | A min | A min | A min | A/ μ s max |
| A | 150 | 150 | 90 | 50 | 45 | 20 | 500 |
| B | 250 | 250 | 150 | 100 | 80 | 30 | 500 |
| C | 500 | 400 | 200 | 150 | 100 | 50 | 500 |

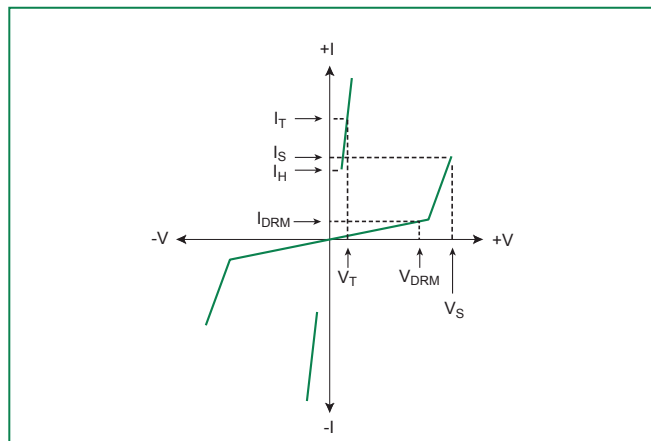
Notes:
 1 Current waveform in μ s
 2 Voltage waveform in μ s

- Peak pulse current rating (I_{pp}) is repetitive and guaranteed for the life of the product.
- I_{pp} ratings applicable over temperature range of -40°C to $+85^{\circ}\text{C}$
- The device must initially be in thermal equilibrium with $-40^{\circ}\text{C} \leq T_J \leq +150^{\circ}\text{C}$

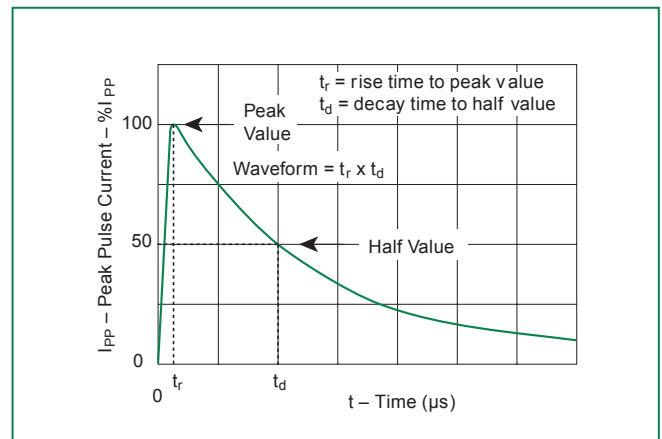
Thermal Considerations

| Package | Symbol | Parameter | Value | Unit |
|--|-----------------|---|-------------|-----------------------------|
|  DO-214AA | T_J | Operating Junction Temperature Range | -40 to +150 | $^{\circ}\text{C}$ |
| | T_S | Storage Temperature Range | -65 to +150 | $^{\circ}\text{C}$ |
| | $R_{\theta JA}$ | Thermal Resistance: Junction to Ambient | 90 | $^{\circ}\text{C}/\text{W}$ |

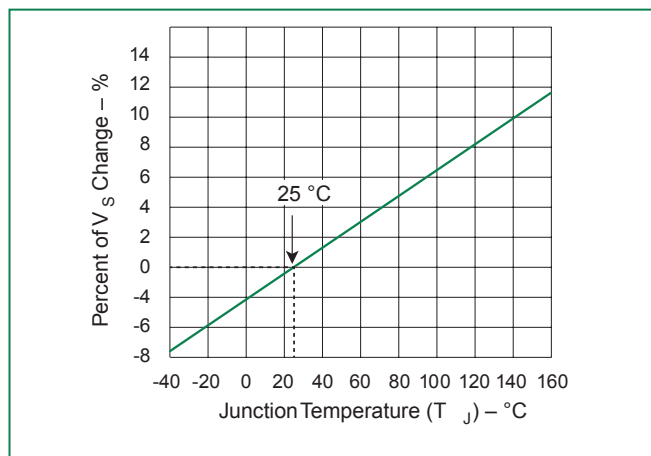
V-I Characteristics



$t_r \times t_d$ Pulse Waveform



Normalized V_S Change vs. Junction Temperature



Normalized DC Holding Current vs. Case Temperature

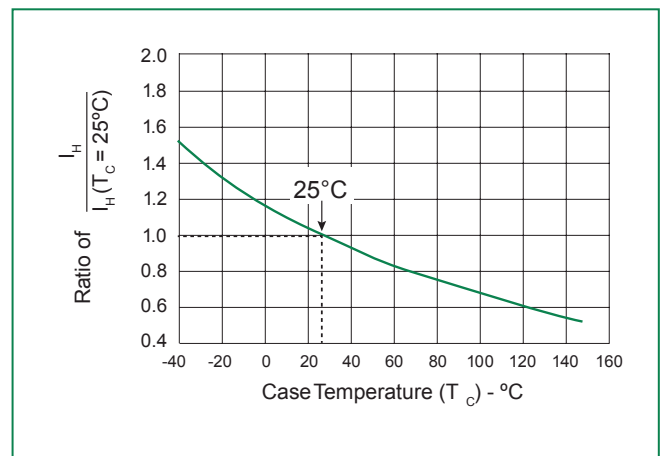
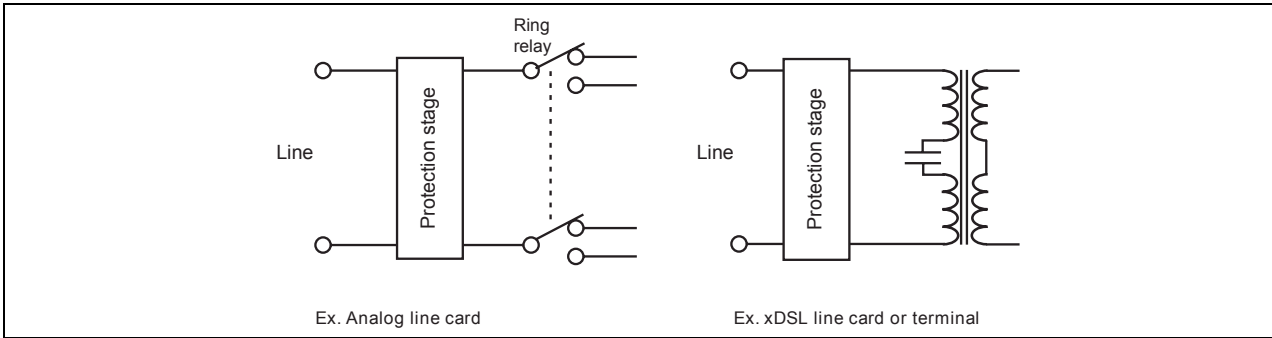


Figure 1.E examples of protection stages for line cards



In such a stage, parallel function is assumed by one or several Trisil, and is used to protect against short duration surge (lightning). During this kind of surges the Trisil limits the voltage across the device to be protected at its break over value and then fires. The fuse assumes the series function, and is used to protect the module against long duration or very high current mains disturbances (50/60Hz). It acts by safe circuit opening. Lightning surge and mains disturbance surges are defined by standards like GR1089, FCC part 68, ITU-T K20.

Figure 2. Typical circuits

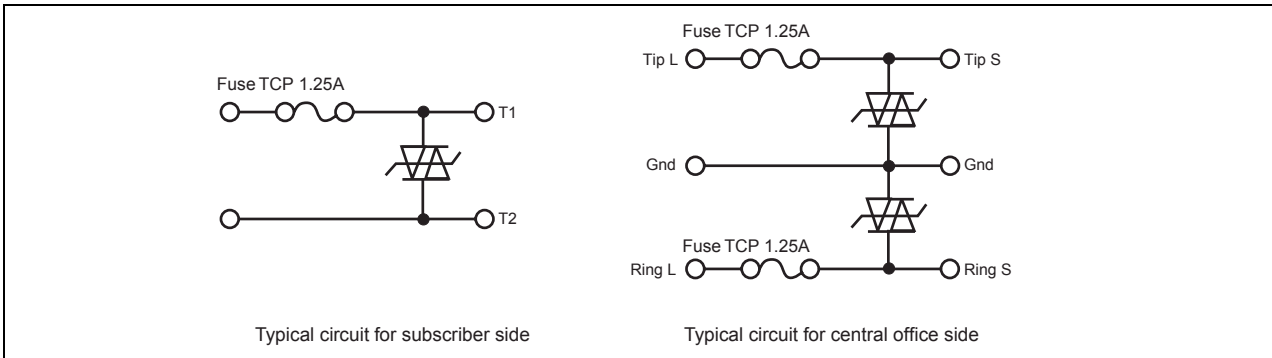


Figure 3.T test circuit 1 for Dynamic I_{BO} and V_{BO} parameters

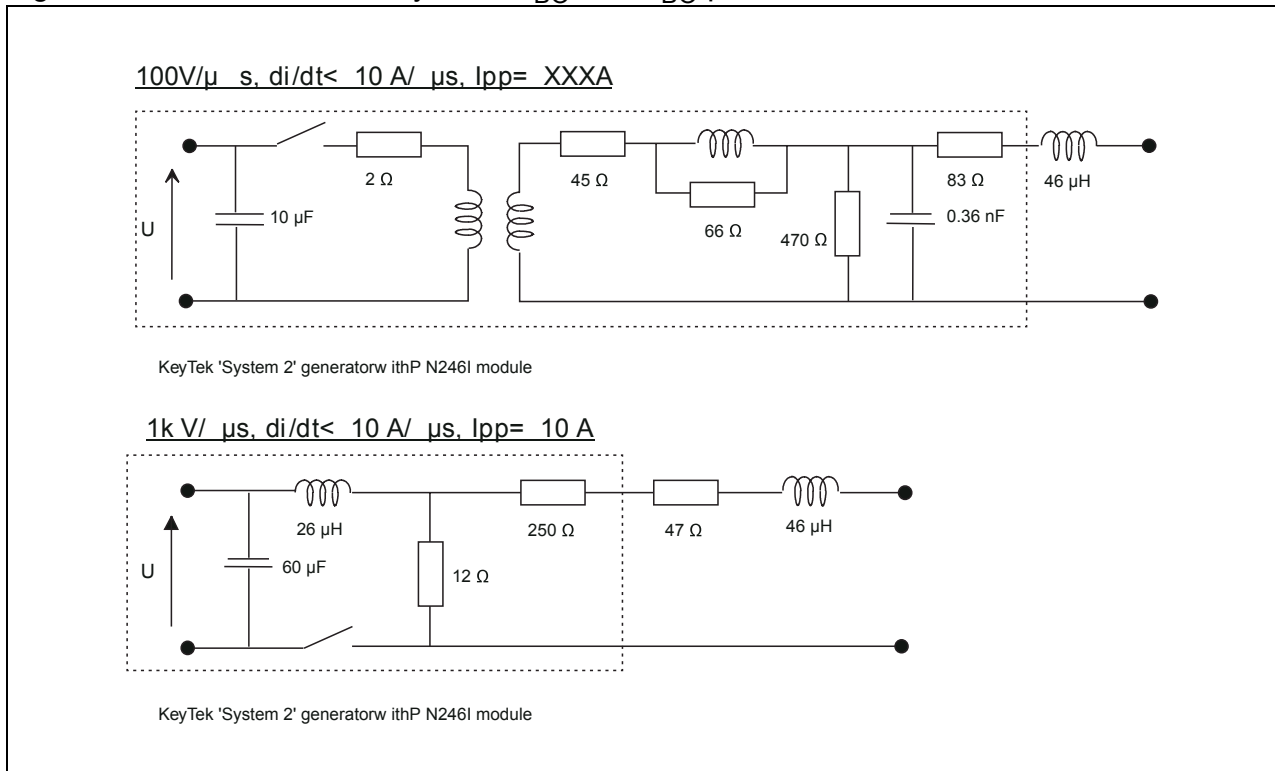


Figure 5. Test circuit 3 for dynamic I_H parameter

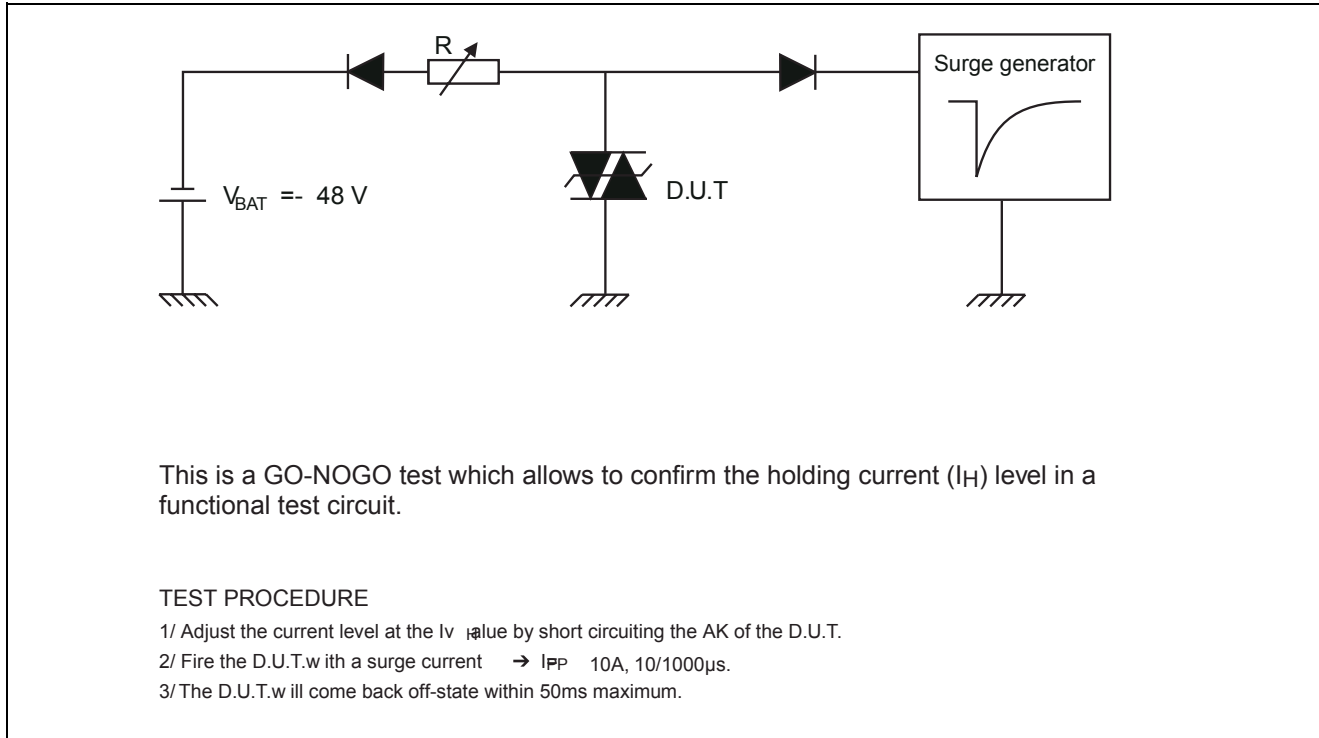
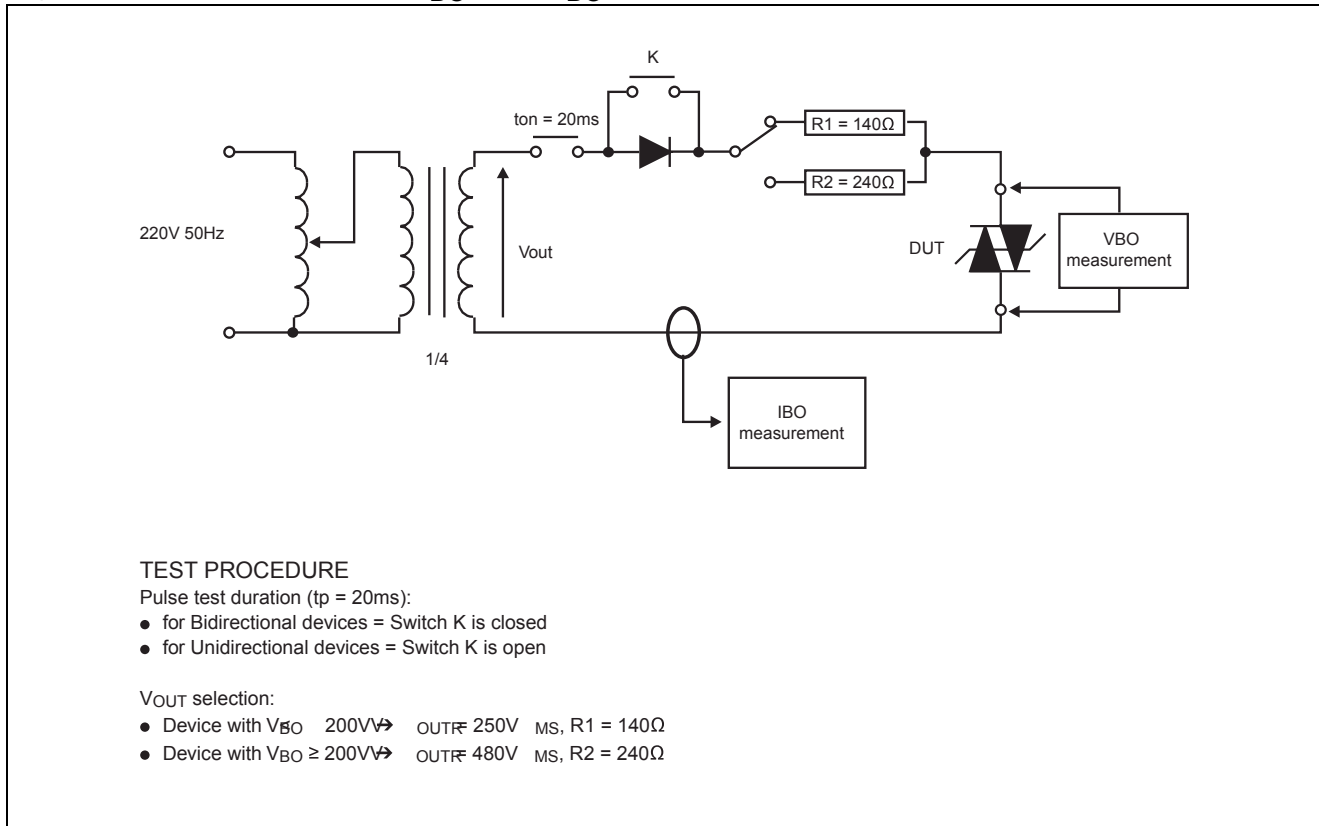
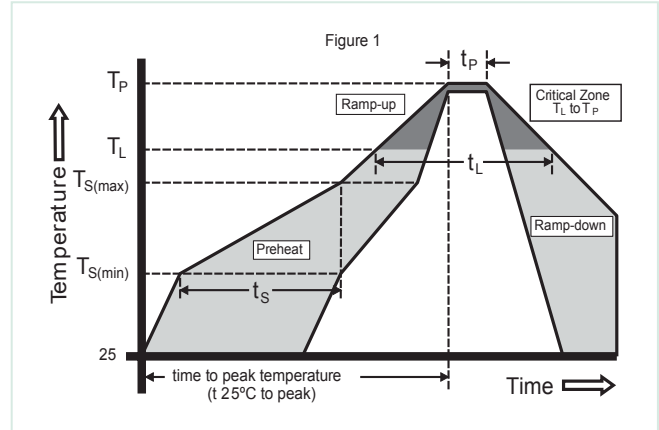


Figure 4. Test circuit 2 for I_{BO} and V_{BO} parameters



Soldering Parameters

| | | |
|--|------------------------------------|-------------------------------|
| Reflow Condition | | Pb-Free assembly (see Fig. 1) |
| Pre Heat | - Temperature Min ($T_{s(min)}$) | +150°C |
| | - Temperature Max ($T_{s(max)}$) | +200°C |
| | - Time (Min to Max) (t_s) | 60-180 secs. |
| Average ramp up rate (Liquidus Temp (T_L) to peak) | | 3°C/sec. Max. |
| $T_{S(max)}$ to T_L - Ramp-up Rate | | 3°C/sec. Max. |
| Reflow | - Temperature (T_L) (Liquidus) | +217°C |
| | - Temperature (t_L) | 60-150 secs. |
| Peak Temp (T_p) | | +260(+0/-5)°C |
| Time within 5°C of actual Peak Temp (t_p) | | 30 secs. Max. |
| Ramp-down Rate | | 6°C/sec. Max. |
| Time 25°C to Peak Temp (T_p) | | 8 min. Max. |
| Do not exceed | | +260°C |



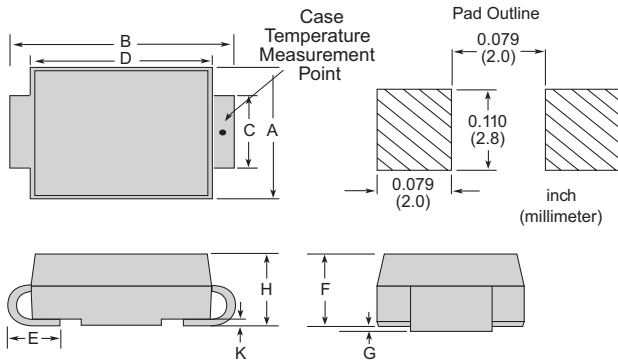
Physical Specifications

| | |
|-----------------|---|
| Lead Material | Copper Alloy |
| Terminal Finish | 100% Matte-Tin Plated |
| Body Material | UL recognized epoxy meeting flammability classification 94V-0 |

Environmental Specifications

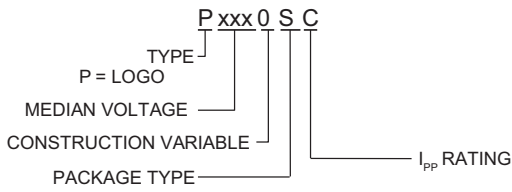
| | |
|----------------------------------|---|
| High Temp Voltage Blocking | 80% Rated V_{DRM} (V_{AC} Peak) +125°C or +150°C, 504 or 1008 hrs. MIL-STD-750 (Method 1040) JEDEC, JESD22-A-101 |
| Temp Cycling | -65°C to +150°C, 15 min. dwell, 10 up to 100 cycles. MIL-STD-750 (Method 1051) EIA/JEDEC, JESD22-A104 |
| Biased Temp & Humidity | 52 V_{DC} (+85°C) 85%RH, 504 up to 1008 hrs. EIA/JEDEC, JESD22-A-101 |
| High Temp Storage | +150°C 1008 hrs. MIL-STD-750 (Method 1031) JEDEC, JESD22-A-101 |
| Low Temp Storage | -65°C, 1008 hrs. |
| Thermal Shock | 0°C to +100°C, 5 min. dwell, 10 sec. transfer, 10 cycles. MIL-STD-750 (Method 1056) JEDEC, JESD22-A-106 |
| Autoclave (Pressure Cooker Test) | +121°C, 100%RH, 2atm, 24 up to 168 hrs. EIA/JEDEC, JESD22-A-102 |
| Resistance to Solder Heat | +260°C, 30 secs. MIL-STD-750 (Method 2031) |
| Moisture Sensitivity Level | 85%RH, +85°C, 168 hrs., 3 reflow cycles (+260°C Peak). JEDEC-J-STD-020, Level 1 |

Dimensions — DO-214AA

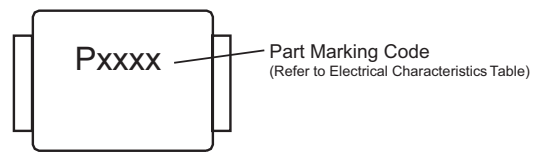


| Dimensions | Inches | | Millimeters | |
|------------|--------|-------|-------------|------|
| | Min | Max | Min | Max |
| A | 0.130 | 0.156 | 3.30 | 3.95 |
| B | 0.201 | 0.220 | 5.10 | 5.60 |
| C | 0.077 | 0.087 | 1.95 | 2.20 |
| D | 0.159 | 0.181 | 4.05 | 4.60 |
| E | 0.030 | 0.063 | 0.75 | 1.60 |
| F | 0.075 | 0.096 | 1.90 | 2.45 |
| G | 0.002 | 0.008 | 0.05 | 0.20 |
| H | 0.077 | 0.104 | 1.95 | 2.65 |
| K | 0.006 | 0.016 | 0.15 | 0.41 |

Part Numbering



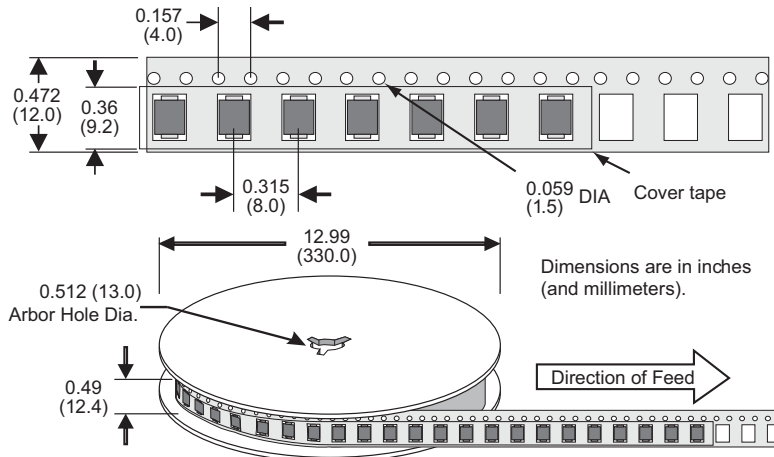
Part Marking



Packing Options

| Package Type | Description | Quantity | Added Suffix | Industry Standard |
|--------------|------------------------------|----------|--------------|-------------------|
| S | DO-214AA Tape & Reel Pack | 2500 | N/A | EIA-481-D |

Tape and Reel Specification — DO-214AA



RUILONG.YUAN CO.,LTD
Tel: +86- 0755-82908296
Fax: +86- 0755-82908002

Email: jack@ruilon.com
Website: <http://www.ruilon.com>

RuiLongYuan Electronics are trademarks.

Information furnished is believed to be accurate and reliable. However, users should independently evaluate the suitability of and test each product selected for their own applications. RUILONYUAN Electronics reserves the right to change or update, without notice, any information contained in this publication; to change, without notice, the design, construction, processing, or specification of any product; and to discontinue or limit production or distribution of any product. This publication supersedes and replaces all information previously supplied. Without expressed or written consent by an officer of RUILONYUAN Electronics, RUILONYUAN Electronics does not authorize the use of any of its products as components in nuclear facility applications, aerospace, or in critical life support devices or systems. RUILONYUAN Electronics expressly disclaims all implied warranties regarding the information contained herein, including, but not limited to, any implied warranties of merchantability or fitness for a particular purpose. RUILONYUAN Electronics' only obligations are those in the RUILONYUAN Electronics Standard Terms and Conditions of Sale and in no case will RUILONYUAN Electronics be liable for any incidental, indirect, or consequential damages.

X-ON Electronics

Largest Supplier of Electrical and Electronic Components

Click to view similar products for [Gas Discharge Tubes - GDTs / Gas Plasma Arrestors](#) category:

Click to view products by [Ruilongyuan](#) manufacturer:

Other Similar products are found below :

[PMT1023004](#) [PMT1025001](#) [PMT1035004](#) [PMT1040004](#) [PMT809006](#) [CG2250](#) [CG2800](#) [CG31.5L](#) [GT-SMD181240012-TR](#) [WPGT-2N145B6L](#) [WPGT-2N230B6L](#) [WPGT-2N470B6L](#) [WPGT-2R470B6L](#) [WPGT-2RM230A6L](#) [WPGT-2RM350A6L](#) [WPGT-2RM70A6L](#) [WPGT-2RM90A6L](#) [WPGT-2S145](#) [WPGT-2S350](#) [WPGT-2S470](#) [WPGT-3R350CF](#) [WPGT-3R350G1](#) [WPGT-3R90G1](#) [WPGT-3R75G1](#) [WPGT-3R470G1](#) [WPGT-3R250C](#) [WPGT-3R230G1](#) [WPGT-2S230](#) [WPGT-2RM470A6L](#) [WPGT-2RM145A6L](#) [WPGT-2R3000B8L](#) [WPGT-2R2700B8L](#) [WPGT-2R1000B8L](#) [WPGT-2N90B6L](#) [WPGT-2N70B6L](#) [WPGT-2N350B6L](#) [WPGT-2N230B6L1](#) [CG90](#) [CG2230](#) [CG2145](#) [CG21000](#) [GT-SMD181215012-TR](#) [T61-C350X](#) [9071.99.0547 \(73_Z-0-0-547\)](#) [B88069X6940B152](#) [9071.99.0052\(73_Z-0-0-52\)](#) [B88069X1973T902](#) [A9L15692](#) [C50-0-255](#) [A9L16294](#)