

**Features**

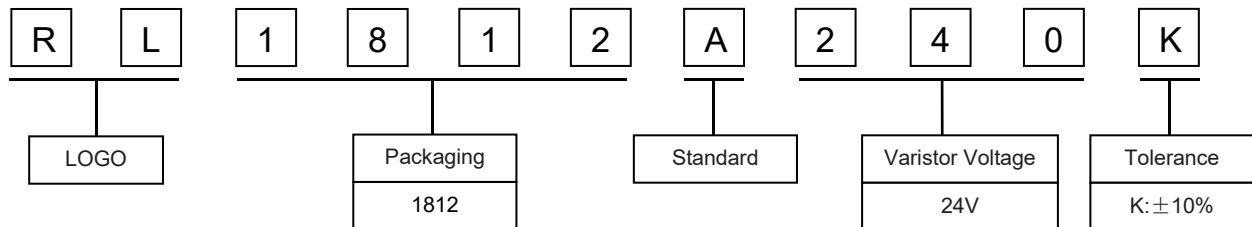
- EIA size:1812
- Variable capacitance
- Operating voltage: 18Vdc ~385Vdc
- High surge suppress capability
- Bidirectional and symmetrical V/I characteristics
- Multilayer ceramic construction technology
- RoHS & Halogen Free (HF) compliant
- Operating temperature range: -55°C ~ +125°C
- Storage temperature range: 5°C ~ +40°C



**Applications**

- Used to Help Achieve Electromagnetic Compliance of End Products
- Provides On-Board Transient Voltage Protection for ICs, CMOS and MOSFET
- Suppression of Inductive Switching or Other Transient Events Such as EFT and Surge Voltage at the Circuit Board.
- Protection of Components and Circuits Sensitive to ESD Transients Occurring on Power supplies, Control and Signal Lines.

**Part Number Code**



**Electrical Characteristics**

Type Number	Varistor Voltage	Max. Allowable Voltage		Max. Energy (10/1000µs)	Max. Clamping Voltage (8/20µs)		Withstanding Surge Current (8/20µs)
	V <sub>1mA</sub> (V)	V <sub>AC</sub> (V)	V <sub>DC</sub> (V)	(J)	I <sub>P</sub> (A)	V <sub>C</sub> (V)	I(A)
RL1812A240K	21.6~27	13	18	1.5	10	54	800
RL1812A270K	26.4~33	16	22	1.5	10	63	800
RL1812A300K	28.8~36	17	24	1.5	10	68	800
RL1812A330K	31.2~39	18	26	1.5	10	74	800
RL1812A360K	33.6~42	20	28	1.5	10	80	800
RL1812A390K	36~45	21	30	1.5	10	86	800
RL1812A470K	45.6~57	27	38	1.5	10	103	800
RL1812A530K	50.4~63	30	42	1.5	10	107	800
RL1812A560K	54~67.5	31	45	1.8	10	115	800
RL1812A600K	57.6~72	34	48	1.8	10	122	800
RL1812A680K	67.2~84	40	56	1.8	10	143	800
RL1812A760K	72~90	42	60	1.8	10	149	800
RL1812A820K	78~97.5	46	65	1.8	10	161	800
RL1812A900K	81.6~102	48	68	1.8	10	168	800
RL1812A950K	90~110	53	75	1.8	10	176	800
RL1812A101K	103.5~126.5	60	85	1.8	10	202	500
RL1812A121K	108~132	64	90	1.8	10	211	500
RL1812A151K	135~165	95	125	2.3	10	260	400
RL1812A181K	162~198	115	150	2.3	10	300	400
RL1812A241K	216~264	150	200	2.3	10	400	400
RL1812A271K	243~297	175	225	2.3	10	475	400
RL1812A391K	351~429	250	320	2.3	10	675	400
RL1812A431K	387~473	275	350	2.3	10	710	400
RL1812A471K	423~517	300	385	2.3	10	775	400

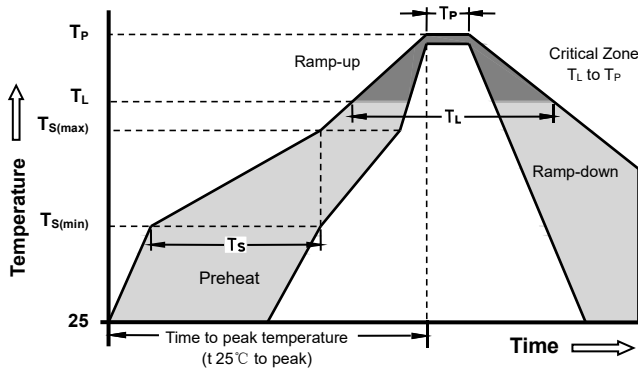
**Environmental Performance**

Item	Specifications	Test Condition
Bias Humidity	V <sub>V</sub> / V <sub>V</sub> ±10%	90%RH, 40°C, Working Voltage, 1000 hrs
Thermal Shock	V <sub>V</sub> / V <sub>V</sub> ±10%	-40°C to 85°C, 30min.cycle, 5 cycles
Full Load Voltage	V <sub>V</sub> / V <sub>V</sub> ±10%	Working Voltage, 85°C, 1000 hrs

**General Technical Data**

Response Time	<1ns	
Solderability	245±5 °C, 3±1sec	
Solder leach resistance	260±5 °C, 10±1sec	
Taping Package Storage Condition	Storage Temperature	5~40°C
	Relative Humidity	To 65%
	Storage Time	12 Months max

**Soldering Parameters - Reflow Soldering (Surface Mount Devices)**



<b>Reflow Condition</b>		Pb - Free assembly
<b>Pre Heat</b>	-Temperature Min ( $T_{s(min)}$ )	150°C
	-Temperature Max ( $T_{s(max)}$ )	200°C
	- Time (min to max) ( $t_s$ )	60 -180 Seconds
<b>Average ramp up rate ( Liquids Temp <math>T_L</math> to peak</b>		3°C/second max
<b><math>T_{s(max)}</math> to <math>T_L</math> - Ramp-up Rate</b>		3°C/second max
<b>Reflow</b>	- Temperature ( $T_L$ ) (Liquids)	217°C
	- Time (min to max) ( $t_s$ )	60 -150 Seconds
<b>Peak Temperature (<math>T_P</math>)</b>		260 +0/-5°C
<b>Time within 5°C of actual peak Temperature (<math>t_p</math>)</b>		20 - 40 Seconds
<b>Ramp-down Rate</b>		6°C/second max
<b>Time 25°C to peak Temperature (<math>T_P</math>)</b>		8 minutes Max
<b>Do not exceed</b>		260°C

**Precaution for soldering**

Note that this product will be easily damaged by rapid heating, rapid cooling or local heating.  
Do not give heat shock over 100°C in the process of soldering. We recommend to take preheating and gradual cooling

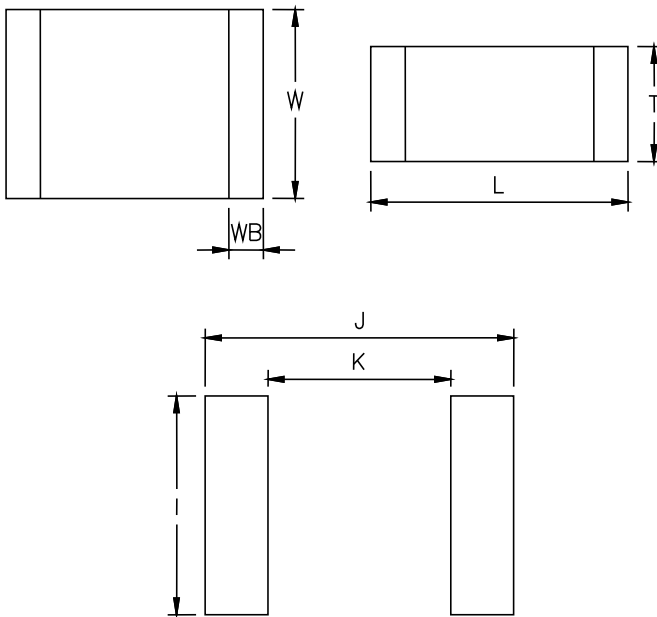
**Soldering gun procedure**

Note the follows, in case of using solder gun for replacement.  
1)The tip temperature must be less than 280 for the period within 3 seconds by using soldering gun under 30W  
2) The soldering gun tip shall not touch this product directly.

**Soldering volume**

Note that excess of soldering volume will easily get crack the body of this product.

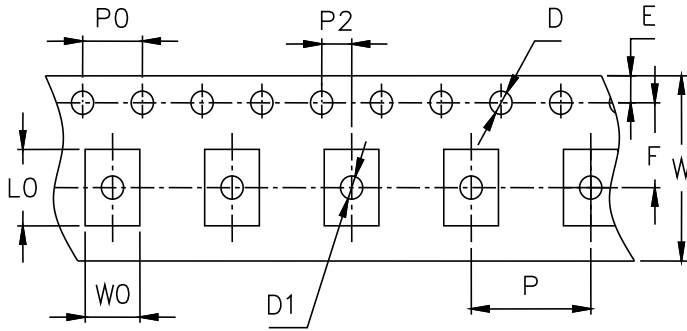
**Dimensions And Recommended Pad Layout**



**Recommended Soldering Pad Layout**

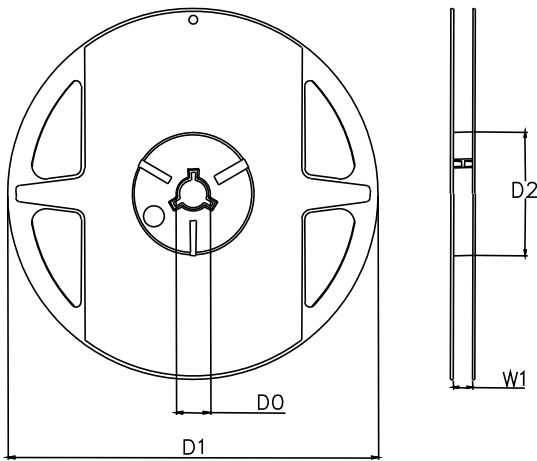
Symbol	Millimeters	Inches
<b>L</b>	4.50±0.40	0.177±0.016
<b>W</b>	3.20±0.20	0.126±0.008
<b>T<sub>max.</sub></b>	3.20	0.126
<b>WB</b>	0.60±0.25	0.024±0.01
<b>I</b>	3.7	0.146
<b>J</b>	5.4	0.213
<b>K</b>	3.2	0.126

**Taping and Reel Specifications**



Symbol	Millimeters	Inches
<b>W</b>	12.00±0.20	0.472±0.008
<b>E</b>	1.75±0.10	0.069±0.004
<b>F</b>	5.50±0.05	0.217±0.002
<b>D</b>	1.55±0.05	0.061±0.002
<b>D1</b>	Φ1.50±0.05	Φ0.059±0.002
<b>P</b>	8.00±0.10	0.315±0.004
<b>P0</b>	4.00±0.05	0.157±0.002
<b>P2</b>	2.00±0.05	0.079±0.002
<b>L0</b>	5.45±0.10	0.215±0.004
<b>W0</b>	4.20±0.10	0.165±0.004

**Packing Specifications**



Symbol	Millimeters	Inches
<b>D0</b>	13.5±0.1	0.531±0.004
<b>D1</b>	178±2.0	7.008±0.079
<b>D2</b>	Φ60.0±0.5	Φ2.362±0.02
<b>W1</b>	13.08±0.2	0.515±0.008

**Taping Specifications**

There shall be the portion having no product in both the head and the end of taping, and there shall be the cover tape in the heat of taping.

Quantity of products in the taping package

SIZE EIA (EIAJ)	1812
Standard Packing Quantity (PCS/reel)	1000

## X-ON Electronics

Largest Supplier of Electrical and Electronic Components

*Click to view similar products for [Varistors](#) category:*

*Click to view products by [Ruilongyuan](#) manufacturer:*

Other Similar products are found below :

[R71ZOV151HC](#) [B72205S271K111](#) [B72214S251K151](#) [NTE1V020](#) [NTE1V130](#) [25FN511K](#) [S10K11G5S5](#) [ERZ-C14DK361U](#) [ERZ-C20DK221U](#) [207869-1](#) [AS-13](#) [B72540E 350K 62](#) [B72590D360A60](#) [B72650M301K93](#) [B72670M1140K72](#) [TVZ18EC271KBS](#) [TVZ20EB911KBS](#) [TVZ25D201KBS](#) [TVZ25D241KBS](#) [VDRH20X230BSE](#) [VZ07D220KBS](#) [VZ40D241KQ-N](#) [VZ40D241K](#) [VZ25D511KBS-N](#) [VZ20E511KBSX](#) [VZ20E221KBSX](#) [VZ10D471KBS-N](#) [20A9FN241K](#) [B72650M350K72](#) [TVZ25D301KBS](#) [TVZ20EC911KBS](#) [TVZ20EBN911KBS](#) [TVZ18EC471KBS](#) [B72220S350K101](#) [NTE1V030](#) [NTE1V275](#) [NTE2V015](#) [NTE2V035](#) [NTE2V115](#) [VZ20D391KBS-N](#) [VZ10D241KBS-N](#) [VZ07D390KBS-N](#) [VDRH14V060TSE](#) [VDRH20X300BKE](#) [V300LT4PX1841](#) [NTE1V017](#) [NTE1V115](#) [NTE1V150](#) [NTE1V300](#) [NTE2V025](#)