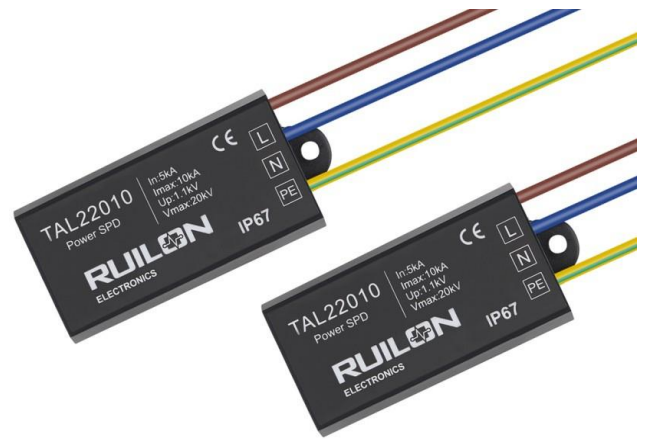


**Description**

LED Street Lights Power SPD: TAL22010 designed for protecting LED Driver and could be connected perfectly with its input port, sealed enclosure, waterproof and dustproof, IP67 protection grade, belongs to Class II ,III power SPD. This SPD use common mode, differential mode, full protection with leakage current and cut the over-current capabilities.



**Features**

- Maximum Discharge Current: 10kA, 8/20us.
- Meets ANSI C82.77-5-2015:Location Category CM,10kV /5kA,1.2/50μS-8/20μS Combination Wave.
- Meets IEEE C62.41.2:Location Category CLow,6kV/3kA, 1.2/50μS-8/20μS Combination Wave.
- Meets US Dept. of Energy MSSLC Model Spec.
- Parallel connected SPD device.
- IP67 Water-proof and Dust-proof.
- Indication wire lead options for Parallel connected modules.
- IEC61643-11 Class II/EN61643-11 Type 2 Compliant1.
- 110Vac and 277Vac voltage ratings are available for Class I and Class II installation based on IEC luminaire protection classes
- CE - Meets the requirements of Low Voltage and RoHS European Directives

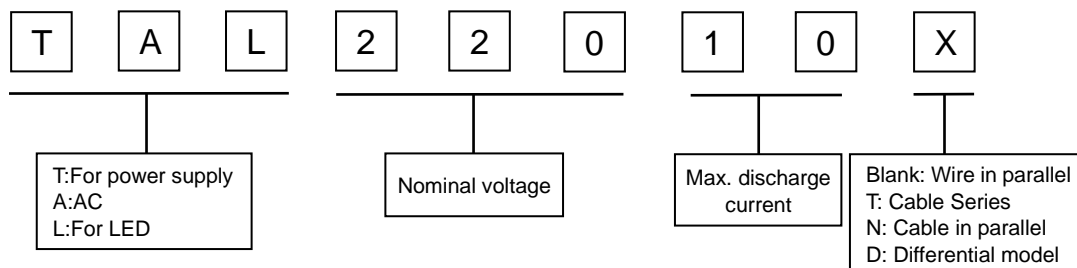
**Applications**

- Outdoor and Commercial LED Lighting
- Roadway lighting
- Traffic lighting
- Digital signage
- Wash wall lighting
- Parking garage/lot lighting
- Flood lighting
- Tunnel lighting
- Street lighting

**Agency Approvals**

Agency	Standard	Agency File Number
CE	EN 61643-11: 2012	UK180509043
UL	UL1449 Type5	E479668

**Part Number Code**



**Mechanical Characteristics**

Items	Symbol	Value	Units
Size		79.5×37.6×13.5	mm
Enclosure material		ABS765A(94V0)	
Operating Temperature Range	T <sub>J</sub>	-40 to 80	°C

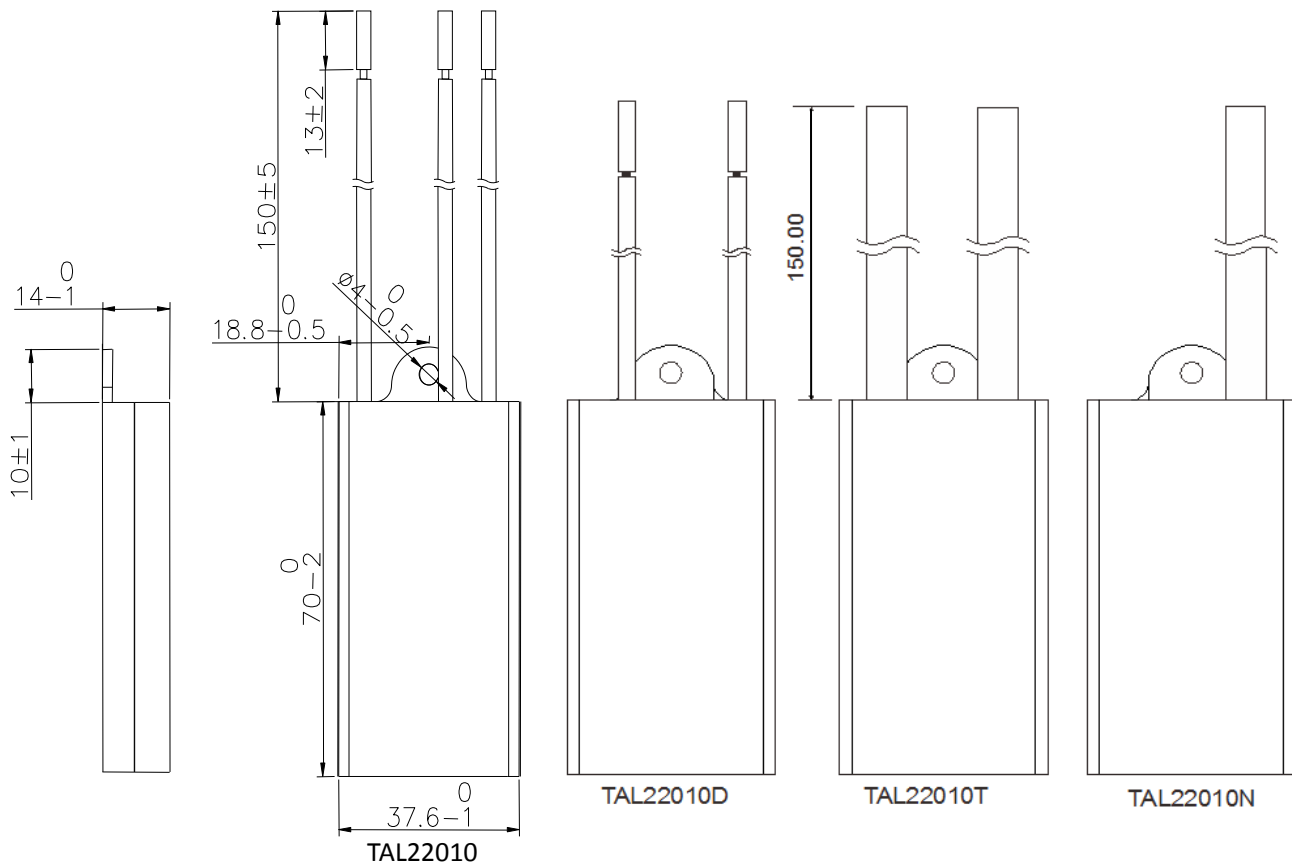
**Performance Specification**

Part Number	Nominal voltage	Max. Continuous voltage	Nominal discharge current (8/20µs)	Max. discharge current (8/20µs)	Nominal discharge voltage	Voltage protection level	Response time	Cross-section area	Weight (±3)	Safety Compliance	
	U <sub>0</sub> (V <sub>AC</sub> )	U <sub>c</sub> (V <sub>AC</sub> )	I <sub>n</sub> (kA)	I <sub>max</sub> (kA)	U <sub>oc</sub> (kV)	U <sub>p</sub> (kV)	t <sub>A</sub> (ns)		g	CE	UL
TAL22010	110~277	320	5	10	10	1.1	25	16AWG	61	✓	✓
TAL22010D	110~277	320	5	10	10	1.1	25	16AWG	55	✓	✓
TAL22010T	110~277	320	5	10	10	1.1	25	3×1.0	80	✓	✓
TAL22010N	110~277	320	5	10	10	1.1	25	3×1.0	65	✓	✓

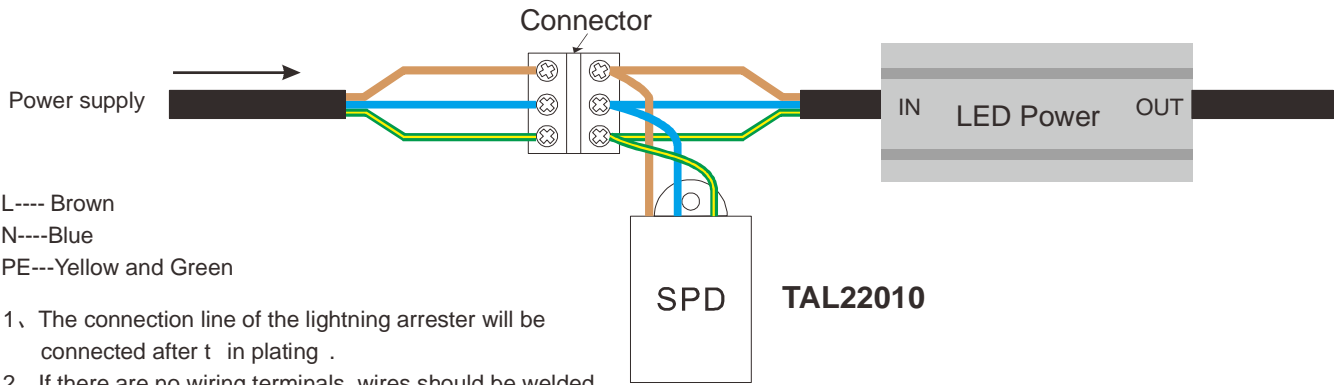
Notes:

- 1.Nominal voltage: The normal ac power frequency voltage rating assigned to an SPD by the manufacturer. For a SPD, other than a Component-SPD, it is generally equal to the nominal value of the root-mean-square power-frequency phase voltage of the ac circuit.
  - 2.Max. Continuous voltage: Maximum Continuous Operating Voltage - maximum R.M.S. voltage that could be continuously applied to the SPD
  - 3.Nominal discharge current (8/20µs): The nominal discharge current is a measure of the SPDs endurance capability; 40 impulses of discharge current uses the 8/20us current waveform.
  - 4.Max. discharge current (8/20µs): The maximum discharge current is a measure of the SPDs maximum capability; single impulse of discharge current uses the 8/20us current waveform.
  - 5.Nominal discharge voltage: The open circuit voltage at the composite wave generator connected to the test port
  - 6.Voltage protection level: the highest value of residual voltage measurements during the application of impulses of 8/20us nominal discharge current (I<sub>n</sub>); a rounding voltage value of maximum measurement.
- TAL22010T: Rated current ≤10A

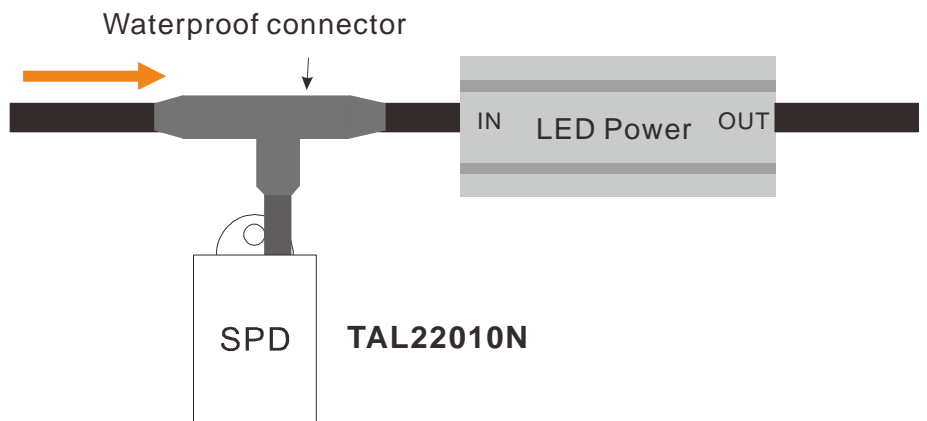
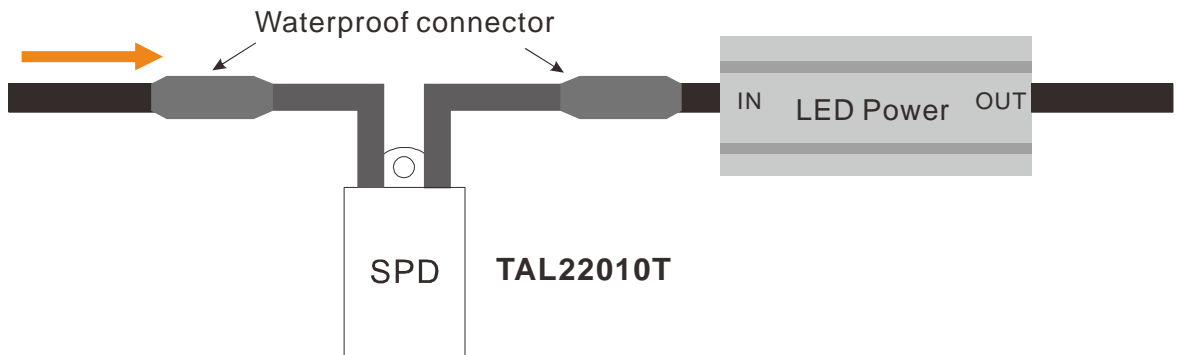
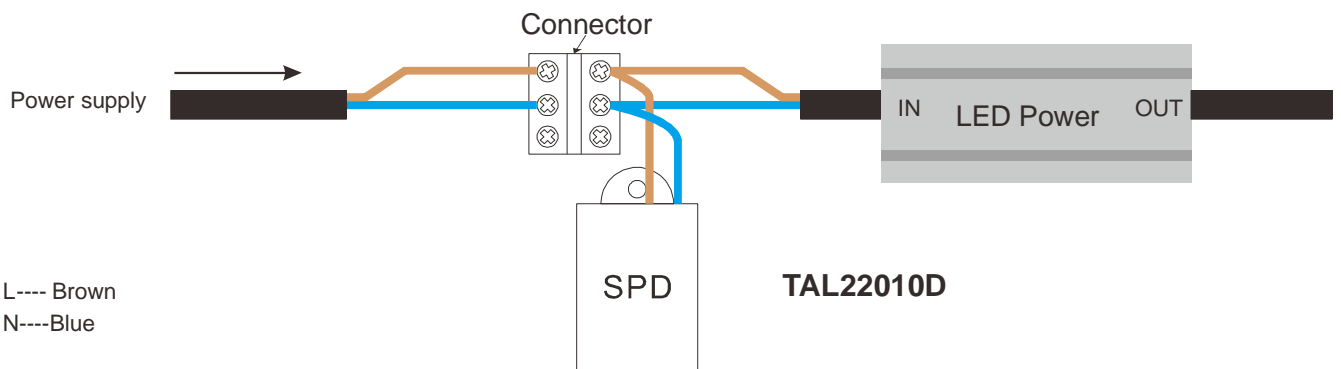
**Dimensions(mm)**



**Wiring Diagram**



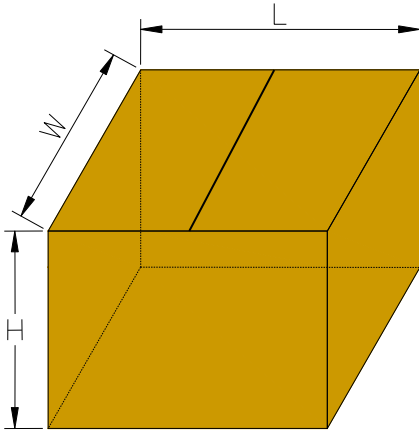
- 1、 The connection line of the lightning arrester will be connected after t in plating .
- 2、 If there are no wiring terminals, wires should be welded, and the welds need to do isolation treatment



**Packing Specifications**



<b>Plastic box size(mm)</b>	
385×257×25	



<b>Box Size(mm)</b>	
<b>L</b>	395
<b>W</b>	267
<b>H</b>	285
<b>Quantity</b>	150PCS/ box

## X-ON Electronics

Largest Supplier of Electrical and Electronic Components

*Click to view similar products for [Surge Suppressors](#) category:*

*Click to view products by [Ruilongyuan](#) manufacturer:*

Other Similar products are found below :

[30460](#) [IE105](#) [1810-15-A3](#) [CX06M](#) [STCHSP121BT1RU](#) [0804111](#) [SPD2-150-1P0](#) [STC-CAT6-P0E-I](#) [SPD2-550-3P0](#) [STCSS640362](#) [TAL20](#)  
[NIS4461MT1TXG](#) [NIS6452MT2TWG](#) [NIS6420MT2TWG](#) [NCP81292MNTXG](#) [TP20D](#) [TP10D](#) [TM40P277](#) [TM10P277](#) [TAL49010N](#) [SX-01](#)  
[TP20D](#) [TP10DB](#) [TM10P277](#) [1251-240S-N1](#) [1063120000](#) [2800532](#) [2800786](#) [2800983](#) [2800989](#) [2081890000](#) [2080480000](#) [2080490000](#)  
[2080650000](#) [2905284](#) [2905355](#) [2905416](#) [2905418](#) [2905473](#) [2906764](#) [2906776](#) [2906809](#) [2906810](#) [2906824](#) [2906834](#) [2906838](#) [2906844](#)  
[2906847](#) [2906848](#) [2906851](#)