

RS1G14 Single Schmitt-Trigger Inverter

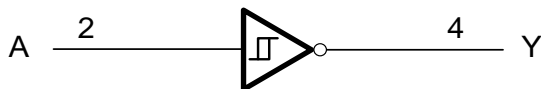
FEATURES

- **Operating Voltage Range: 1.65V to 5.5V**
- **Low Power Consumption: 1µA (Max)**
- **Operating Temperature Range: -40°C to +125°C**
- **Input Accept Voltage to 5.5V**
- **High Output Drive: ±24mA at V_{CC}=3.0V**
- **I_{off} Supports Partial-Power-Down Mode Operation**
- **Micro SIZE PACKAGES: SOT23-5, SC70-5**

APPLICATIONS

- AC Receiver and
- Home Theaters
- Blu-ray Players and Home Theaters
- Desktops or Notebook PCs
- Digital Video Cameras (DVC)
- Mobile Phones
- Personal Navigation Device (GPS)
- Portable Media Player

Functional Block Diagram



DESCRIPTION

The RS1G14 Single Schmitt-trigger inverter is designed for 1.65V to 5.5V V_{CC} operation.

The RS1G14 device contains one inverter and performs the Boolean function $Y = \bar{A}$. The device functions as an independent inverter with Schmitt-trigger inputs, so the device has different input threshold levels for positive-going (V_{T+}) and negative-going (V_{T-}) signals to provide hysteresis (ΔV_T) which makes the device tolerant to slow or noisy input signals.

This device is fully specified for partial-power-down applications using I_{off}. The I_{off} circuitry disables the outputs, preventing damaging current backflow through the device when it is powered down.

The RS1G14 is available in Green SOT23-5 and SC70-5 packages. It operates over an ambient temperature range of -40°C to +125°C.

Device Information (1)

| PART NUMBER | PACKAGE | BODY SIZE (NOM) |
|-------------|------------|-----------------|
| RS1G14 | SOT23-5(5) | 2.92mm×1.60mm |
| | SC70-5(5) | 2.10mm×1.25mm |

(1) For all available packages, see the orderable addendum at the end of the data sheet.

FUNCTION TABLE

| INPUT | OUTPUT |
|-------|--------|
| A | Y |
| H | L |
| L | H |

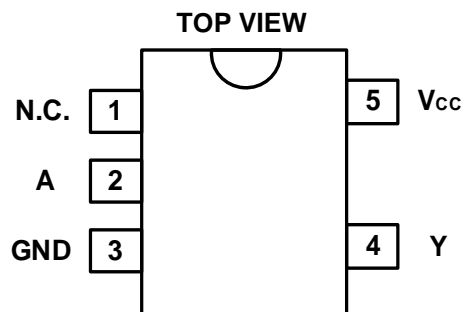
Y = \bar{A}
H=High Voltage Level
L=Low Voltage Level

Revision History

Note: Page numbers for previous revisions may differ from page numbers in the current version.

| Version | Change Date | Change Item |
|---------|-------------|---|
| A.1 | 2020/12/13 | Initial version completed |
| A.2 | 2021/12/20 | 1. Added the TAPE AND REEL INFORMATION 2. Modify Parameter Measurement Information on page 8@A.1 Version 3. Update PACKAGE MARKING on Page 5@RevA.1 |

PIN CONFIGURATIONS



SOT23-5/SOT353(SC70-5)

PIN DESCRIPTION

| PIN | NAME | I/O TYPE | FUNCTION |
|-------------------------------|------|----------|---------------|
| SOT23-5/SOT353(SC70-5) | | | |
| 1 | N.C. | - | Not connected |
| 2 | A | I | Input |
| 3 | GND | P | Ground |
| 4 | Y | O | Output |
| 5 | Vcc | P | Power Pin |

SPECIFICATIONS

Absolute Maximum Ratings ⁽¹⁾

over operating free-air temperature range (unless otherwise noted) ⁽¹⁾ ⁽²⁾

| | | MIN | MAX | UNIT |
|------------------|---|-------------------|----------------------|------|
| V _{CC} | Supply voltage range | -0.5 | 6.5 | V |
| V _I | Input voltage range ⁽²⁾ | -0.5 | 6.5 | V |
| V _O | Voltage range applied to any output in the high-impedance or power-off state ⁽²⁾ | -0.5 | 6.5 | V |
| V _O | Voltage range applied to any output in the high or low state ⁽²⁾ ⁽³⁾ | -0.5 | V _{CC} +0.5 | V |
| I _{IK} | Input clamp current | V _I <0 | -50 | mA |
| I _{OK} | Output clamp current | V _O <0 | -50 | mA |
| I _O | Continuous output current | | ±50 | mA |
| | Continuous current through V _{CC} or GND | | ±100 | mA |
| T _J | Junction temperature | -65 | 150 | °C |
| T _{stg} | Storage temperature | -65 | 150 | °C |

- (1) Stresses beyond those listed under *Absolute Maximum Ratings* may cause permanent damage to the device. These are stress ratings only, and functional operation of the device at these or any other conditions beyond those indicated under *Recommended Operating Conditions* is not implied. Exposure to absolute-maximum-rated conditions for extended periods may affect device reliability.
- (2) The input and output negative-voltage ratings may be exceeded if the input and output current ratings are observed.
- (3) The value of V_{CC} is provided in the *Recommended Operating Conditions table*.

ESD Ratings

| | | VALUE | UNIT | |
|--------------------|-------------------------|------------------------|-------|---|
| V _(ESD) | Electrostatic discharge | Human-body model (HBM) | ±8000 | V |
| | | Machine model (MM) | ±500 | V |

Thermal Information:

| THERMAL METRIC | | RS1G14 | | UNIT |
|-----------------------|--|---------|-----------------|------|
| | | 5PINS | | |
| | | SOT23-5 | SOT353/(SC70-5) | |
| R _{θJA} | Junction-to-ambient thermal resistance | 273.8 | 214.7 | °C/W |
| R _{θJC(top)} | Junction-to-case(top) thermal resistance | 126.8 | 127.1 | °C/W |
| R _{θJB} | Junction-to-board thermal resistance | 85.9 | 60.0 | °C/W |
| Ψ _{JT} | Junction-to-top characterization parameter | 10.9 | 33.4 | °C/W |
| Ψ _{JB} | Junction-to-board characterization parameter | 84.9 | 59.8 | °C/W |
| R _{θJC(bot)} | Junction-to-case(bottom) thermal resistance | N/A | N/A | °C/W |

PACKAGE/ORDERING INFORMATION

| PRODUCT | ORDERING NUMBER | TEMPERATURE RANGE | PACKAGE LEAD | PACKAGE MARKING ⁽¹⁾ | PACKAGE OPTION |
|---------|-----------------|-------------------|----------------|--------------------------------|--------------------|
| RS1G14 | RS1G14XF5 | -40°C ~+125°C | SOT23-5 | 1G14 | Tape and Reel,3000 |
| | RS1G14XC5 | -40°C ~+125°C | SC70-5(SOT353) | 1G14 | Tape and Reel,3000 |

NOTE:

- (1) There may be additional marking, which relates to the lot trace code information (data code and vendor code), the logo or the environmental category on the device.

ELECTRICAL CHARACTERISTICS

over recommended operating free-air temperature range (Full=-40°C to +125°C, typical values are at T_A = +25°C, unless otherwise noted.) ⁽¹⁾

Recommended Operating Conditions

| PARAMETER | SYMBOL | TEST CONDITIONS | MIN | MAX | UNIT |
|-----------------------|-----------------|---------------------|------|-----------------|------|
| Supply voltage | V _{CC} | Operating | 1.65 | 5.5 | V |
| | | Data retention only | 1.5 | | |
| Input voltage | V _I | | 0 | 5.5 | V |
| Output voltage | V _O | | 0 | V _{CC} | V |
| Operating temperature | T _A | | -40 | +125 | °C |

DC Characteristics

| PARAMETER | | TEST CONDITIONS | V _{CC} | TEMP | MIN | TYP | MAX | UNIT |
|------------------|--|--|-----------------|-------|----------------------|------|------|------|
| V _{T+} | Positive going input threshold voltage | | 1.65V | Full | 0.75 | | 1.05 | V |
| | | | 2.3V | | 1.25 | 1.55 | | |
| | | | 3V | | 1.5 | 2.1 | | |
| | | | 4.5V | | 2.3 | 3.0 | | |
| | | | 5.5V | | 2.8 | 3.4 | | |
| V _{T-} | Negative going input threshold voltage | | 1.65V | Full | 0.3 | | 0.6 | V |
| | | | 2.3V | | 0.35 | 0.65 | | |
| | | | 3V | | 0.45 | 0.75 | | |
| | | | 4.5V | | 0.7 | 1.0 | | |
| | | | 5.5V | | 0.85 | 1.15 | | |
| ΔV _T | Hysteresis (V _{T+} -V _{T-}) | | 1.65V | Full | 0.35 | | 0.6 | V |
| | | | 2.3V | | 0.6 | 1.2 | | |
| | | | 3V | | 1.05 | 1.65 | | |
| | | | 4.5V | | 1.6 | 2.0 | | |
| | | | 5.5V | | 1.95 | 2.25 | | |
| V _{OH} | | I _{OH} = -100μA | 1.65V to 5.5V | Full | V _{CC} -0.1 | | | V |
| | | | 1.65V | | 1.2 | | | |
| | | | 2.3V | | 1.9 | | | |
| | | | 3V | | 2.4 | | | |
| | | | | | 2.3 | | | |
| | | | 4.5V | | 3.8 | | | |
| V _{OL} | | I _{OL} = 100μA | 1.65V to 5.5V | Full | | | 0.1 | V |
| | | | 1.65V | | | | 0.45 | |
| | | | 2.3V | | | | 0.3 | |
| | | | 3V | | | | 0.4 | |
| | | | | | | | 0.55 | |
| | | | 4.5V | | | | 0.55 | |
| I _I | A input | V _I =5.5V or GND | 0V to 5.5V | +25°C | | ±0.1 | ±1 | μA |
| | | | | Full | | | ±5 | |
| I _{off} | | V _I or V _O =5.5V | 0 | +25°C | | ±0.1 | ±1 | μA |
| | | | | Full | | | ±10 | |
| I _{CC} | | V _I =5.5V or GND, I _O =0 | 1.65V to 5.5V | +25°C | | 0.1 | 1 | μA |
| | | | | Full | | | 10 | |

| | | | | | | | |
|-----------------|--|------------|------|--|--|-----|---------|
| ΔI_{CC} | One input at $V_{CC}-0.6V$, Other inputs at V_{CC} or GND | 3V to 5.5V | Full | | | 500 | μA |
|-----------------|--|------------|------|--|--|-----|---------|

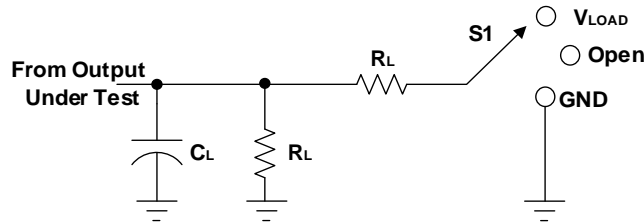
AC Characteristics

| PARAMETER | SYMBOL | TEST CONDITIONS | | MIN | TYP | MAX | UNIT |
|-------------------------------|----------|------------------------|---------------------------|-----|-----|-----|------|
| Propagation Delay | t_{pd} | $V_{CC}=1.8V\pm 0.15V$ | $C_L=30pF, R_L=500\Omega$ | | 7.5 | | ns |
| | | $V_{CC}=2.5V\pm 0.2V$ | $C_L=30pF, R_L=500\Omega$ | | 3.6 | | |
| | | $V_{CC}=3.3V\pm 0.3V$ | $C_L=50pF, R_L=500\Omega$ | | 3.1 | | |
| | | $V_{CC}=5V\pm 0.5V$ | $C_L=50pF, R_L=500\Omega$ | | 2.7 | | |
| Input Capacitance | C_i | $V_{CC}=3.3V$ | $V_i=V_{CC}$ or GND | | 4 | | pF |
| Power dissipation capacitance | C_{pd} | $V_{CC}=1.8V$ | $f=10MHz$ | | 20 | | pF |
| | | $V_{CC}=2.5V$ | | | 21 | | |
| | | $V_{CC}=3.3V$ | | | 22 | | |
| | | $V_{CC}=5V$ | | | 25 | | |

(1) All unused inputs of the device must be held at V_{CC} or GND to ensure proper device operation.

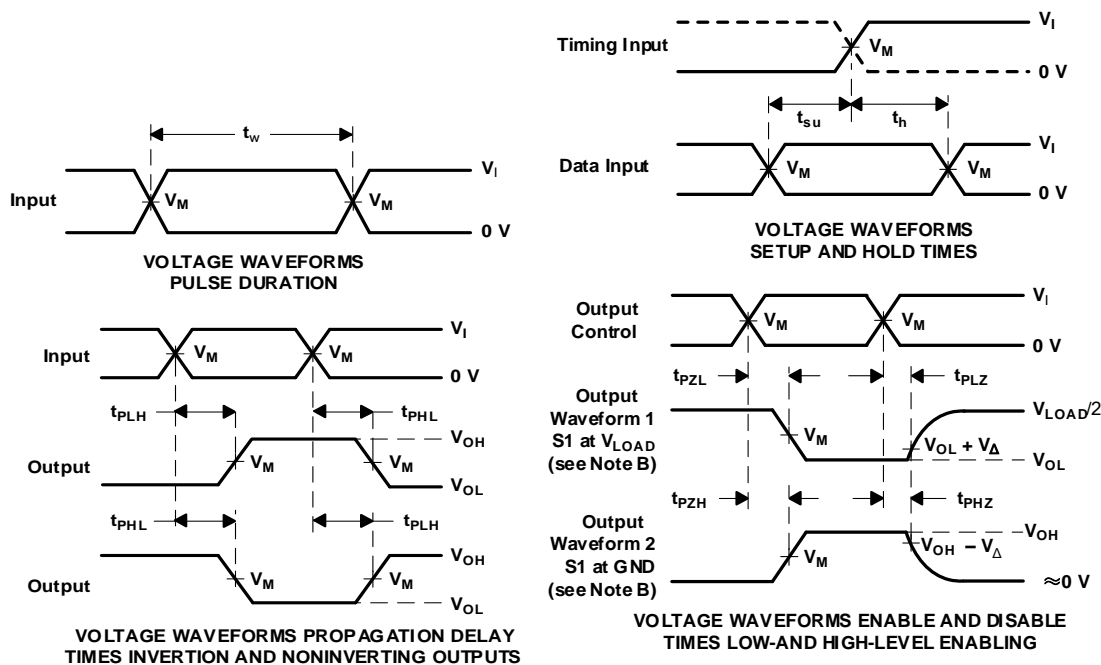
Parameter Measurement Information

Open-Drain



| TEST | S1 |
|-------------------|------------|
| t_{PLH}/t_{PHL} | Open |
| t_{PIZ}/t_{PZL} | V_{LOAD} |
| t_{PHZ}/t_{PZH} | GND |

| V_{CC} | INPUTS | | V_M | V_{LOAD} | C_L | R_L | V_{Δ} |
|------------------|----------|--------------|------------|-------------------|-------|--------------|--------------|
| | V_I | t_r/t_f | | | | | |
| $1.8V \pm 0.15V$ | V_{CC} | $\leq 2ns$ | $V_{CC}/2$ | $2 \times V_{CC}$ | 30pF | 1k Ω | 0.15V |
| $2.5V \pm 0.2V$ | V_{CC} | $\leq 2ns$ | $V_{CC}/2$ | $2 \times V_{CC}$ | 30pF | 500 Ω | 0.15V |
| $3.3V \pm 0.3V$ | 3V | $\leq 2.5ns$ | 1.5V | 6V | 50pF | 500 Ω | 0.3V |
| $5V \pm 0.5V$ | V_{CC} | $\leq 2.5ns$ | $V_{CC}/2$ | $2 \times V_{CC}$ | 50pF | 500 Ω | 0.3V |

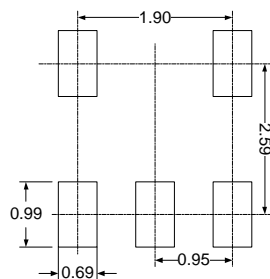
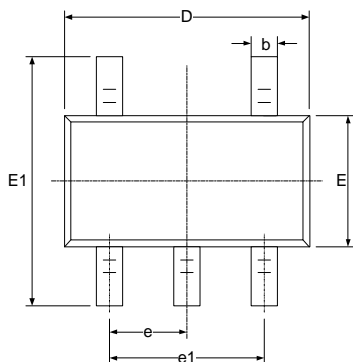


- NOTES: A. C_L includes probe and jig capacitance.
 B. Waveform 1 is for an output with internal conditions such that the output is low, except when disabled by the output control. Waveform 2 is for an output with internal conditions such that the output is high, except when disabled by the output control.
 C. All input pulses are supplied by generators having the following characteristics: $PRR \leq 10$ MHz, $Z_o = 50 \Omega$.
 D. The outputs are measured one at a time, with one transition per measurement.
 E. t_{PLZ} and t_{PHZ} are the same as t_{dis} .
 F. t_{PZL} and t_{PZH} are the same as t_{en} .
 G. t_{PLH} and t_{PHL} are the same as t_{pd} .
 H. All parameters and waveforms are not applicable to all devices.

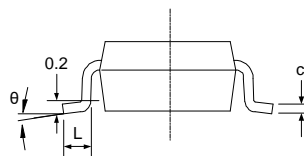
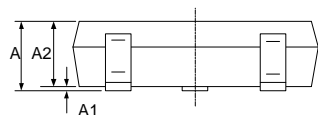
Figure 1. Load Circuit and Voltage Waveforms

PACKAGE OUTLINE DIMENSIONS

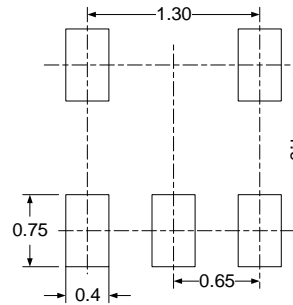
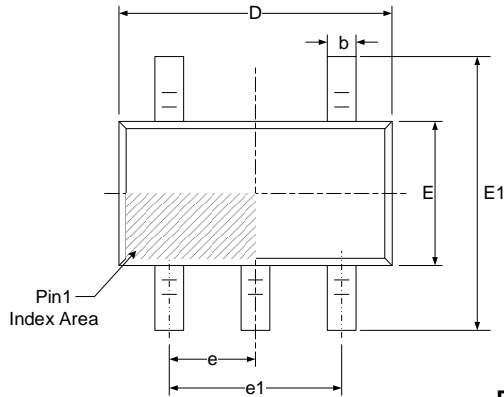
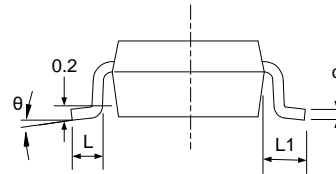
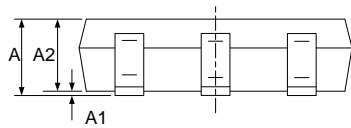
SOT23-5



RECOMMENDED LAND PATTERN (Unit: mm)



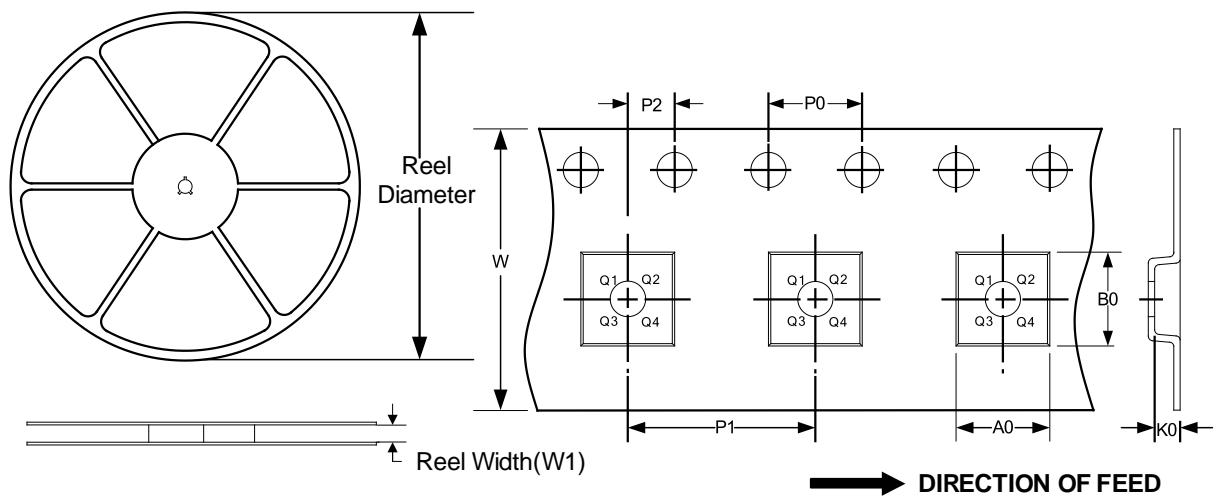
| Symbol | Dimensions In Millimeters | | Dimensions In Inches | |
|----------|---------------------------|-------|----------------------|-------|
| | Min | Max | Min | Max |
| A | 1.050 | 1.250 | 0.041 | 0.049 |
| A1 | 0.000 | 0.100 | 0.000 | 0.004 |
| A2 | 1.050 | 1.150 | 0.041 | 0.045 |
| b | 0.300 | 0.500 | 0.012 | 0.020 |
| c | 0.100 | 0.200 | 0.004 | 0.008 |
| D | 2.820 | 3.020 | 0.111 | 0.119 |
| E | 1.500 | 1.700 | 0.059 | 0.067 |
| E1 | 2.650 | 2.950 | 0.104 | 0.116 |
| e | 0.950(BSC) | | 0.037(BSC) | |
| e1 | 1.800 | 2.000 | 0.071 | 0.079 |
| L | 0.300 | 0.600 | 0.012 | 0.024 |
| θ | 0° | 8° | 0° | 8° |

SOT353(SC70-5)

RECOMMENDED LAND PATTERN (Unit: mm)


| Symbol | Dimensions In Millimeters | | Dimensions In Inches | |
|----------|---------------------------|-------|----------------------|-------|
| | Min | Max | Min | Max |
| A | 0.900 | 1.100 | 0.035 | 0.043 |
| A1 | 0.000 | 0.100 | 0.000 | 0.004 |
| A2 | 0.900 | 1.000 | 0.035 | 0.039 |
| b | 0.150 | 0.350 | 0.006 | 0.014 |
| c | 0.080 | 0.150 | 0.003 | 0.006 |
| D | 2.000 | 2.200 | 0.079 | 0.087 |
| E | 1.150 | 1.350 | 0.045 | 0.053 |
| E1 | 2.150 | 2.450 | 0.085 | 0.096 |
| e | 0.650(BSC) | | 0.026(BSC) | |
| e1 | 1.300(BSC) | | 0.051(BSC) | |
| L | 0.260 | 0.460 | 0.010 | 0.018 |
| L1 | 0.525 | | 0.021 | |
| θ | 0° | 8° | 0° | 8° |

TAPE AND REEL INFORMATION REEL DIMENSIONS

TAPE DIMENSION



NOTE: The picture is only for reference. Please make the object as the standard.

KEY PARAMETER LIST OF TAPE AND REEL

| Package Type | Reel Diameter | Reel Width(mm) | A0 (mm) | B0 (mm) | K0 (mm) | P0 (mm) | P1 (mm) | P2 (mm) | W (mm) | Pin1 Quadrant |
|----------------|---------------|----------------|---------|---------|---------|---------|---------|---------|--------|---------------|
| SOT353(SC70-5) | 7" | 9.5 | 2.25 | 2.55 | 1.20 | 4.0 | 4.0 | 2.0 | 8.0 | Q3 |
| SOT23-5 | 7" | 9.5 | 3.20 | 3.20 | 1.40 | 4.0 | 4.0 | 2.0 | 8.0 | Q3 |

X-ON Electronics

Largest Supplier of Electrical and Electronic Components

Click to view similar products for [Inverters](#) category:

Click to view products by [RUNIC](#) manufacturer:

Other Similar products are found below :

[E5-652Z](#) [NLX2G04BMX1TCG](#) [CD4009UBE](#) [TC4584BFN](#) [NL17SG14AMUTCG](#) [NLU2GU04BMX1TCG](#) [NLV17SZ14DFT2G](#)
[NLV74HC04ADTR2G](#) [NLU1G04AMUTCG](#) [NLX2G04CMUTCG](#) [NLX2G04AMUTCG](#) [NLV27WZ04DFT1G](#) [NLU1G04CMUTCG](#)
[NL17SZU04P5T5G](#) [74LVC06ADTR2G](#) [74LVC04ADR2G](#) [NLV37WZ04USG](#) [NLX3G14FMUTCG](#) [NL17SZ04P5T5G](#) [NL17SG14P5T5G](#)
[NLV27WZU04DFT2G](#) [NLV17SG14DFT2G](#) [NLVHC1G04DFT2G](#) [MC14069UBD](#) [NLU3G14CMX1TCG](#) [NLX2G14BMX1TCG](#)
[NLX2GU04AMX1TCG](#) [74HCT04DT](#) [74HCT14DT](#) [74LCX14FT\(AJ\)](#) [EG8015](#) [GN14D](#) [GN4069](#) [74HC04DM/TR](#) [HG74HC04M/TR](#)
[CD40106DM/TR](#) [CD4007BE](#) [74HC14DN](#) [74HC14DM/TR](#) [CD4069UBE](#) [74HC125M/TR](#) [CD4069UBMT/TR](#) [HG74HC04MT/TR](#)
[74HC14DMT/TR](#) [74HC04DN](#) [HT74HC04ARZ](#) [HT40106ARZ](#) [74HC14-HXY](#) [IW4069UBN](#) [RS1GT04XC5](#)