

# Ultra Low ON-Resistance, Low Voltage, Dual, SPDT Analog Switch

## FEATURES

- **-3dB Bandwidth: 30MHz**
- **High Speed, Typically 50ns**
- **Supply Range: +1.8V to +5.5V**
- **Low ON-State Resistance, 0.5Ω(TYP)**
- **Break-Before-Make Switching**
- **Rail-to-Rail Operation**
- **TTL/CMOS Compatible**
- **Extended Industrial Temperature Range: -40°C to +125°C**

## APPLICATIONS

- **Wearable Devices**
- **Battery-Operated Equipment**
- **Signal Gating, Chopping, Modulation or Demodulation (Modem)**
- **Portable Computing**
- **Cell Phones**

## FUNCTION TABLE

LOGIC	NO	NC
0	OFF	ON
1	ON	OFF

## PIN DESCRIPTION

NAME	PIN	FUNCTION
V+	1	Power Supply
NO1, NO2	2, 10	Normally-Open Terminal
COM1 COM2	3, 9	Common Terminal
IN1, IN2	4, 8	Digital Control Pin
NC1, NC2	5, 7	Normally-Closed Terminal
GND	6	Ground

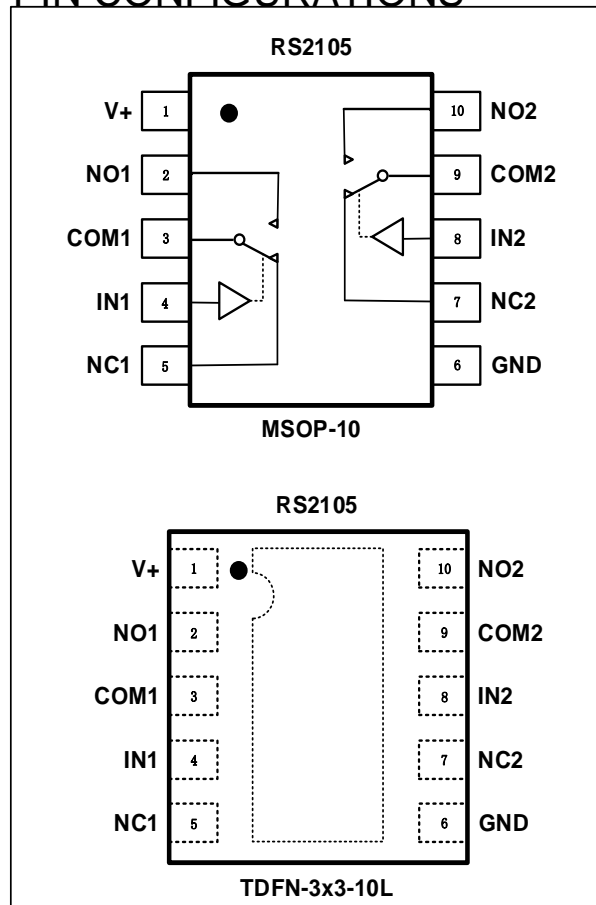
## DESCRIPTION

The RS2105 is a dual, low on-resistance, single-pole double-throw (SPDT) analog switch that is designed to operate from 1.8 V to 5.5 V.

The RS2105 device can handle both analog and digital signals. It features fast switching speeds (50ns) and low on-resistance (0.5Ω TYP).

Applications include signal gating, chopping, modulation or demodulation (modem), and signal multiplexing for analog-to-digital and digital-to-analog conversion systems.

## PIN CONFIGURATIONS



**ABSOLUTE MAXIMUM RATINGS (1)**

V+, IN to GND.....	-0.3V to 7.0V
Analog, Digital Voltage Range (2) .....	- 0.3 to (V+) + 0.3V
Continuous Current NO, NC, or COM.....	±500mA
Peak Current NO, NC, or COM.....	±800mA
Storage Temperature .....	-65°C to +150°C
Operating Temperature .....	-40°C to +125°C
Junction Temperature.....	150°C
Package Thermal Resistance @ TA = +25°C	
SOT23-5, SOT23-6.....	200°C/W
MSOP-10, SOIC-8 ,TSSOP-8.....	150°C/W
SOIC-14, TSSOP-14.....	100°C/W
Lead Temperature (Soldering, 10s) .....	260°C
ESD Susceptibility	
HBM .....	1000V
MM .....	100V


**ESD SENSITIVITY CAUTION**

ESD damage can range from subtle performance degradation to complete device failure. Precision integrated circuits may be more susceptible to damage because very small parametric changes could cause the device not to meet its published specifications.

(1) Stresses above these ratings may cause permanent damage. Exposure to absolute maximum conditions for extended periods may degrade device reliability. These are stress ratings only, and functional operation of the device at these or any other conditions beyond those specified is not implied.

(2) Input terminals are diode-clamped to the power-supply rails. Input signals that can swing more than 0.3V beyond the supply rails should be current-limited to 10mA or less.

**PACKAGE/ORDERING INFORMATION**

PRODUCT	ORDERING NUMBER	TEMPERATURE RANGE	PACKAGE LEAD	PACKAGE MARKING	PACKAGE OPTION
RS2105	RS2105XN	-40°C~125°C	MSOP-10	RS2105	Tape and Reel,3000
	RS2105XTDC10	-40°C~125°C	TDFN-3x3-10L	RS2105	Tape and Reel,3000

**ELECTRICAL CHARACTERISTICS**
 $V+ = 5.0\text{ V}$ ,  $T_A = -40^\circ\text{C}$  to  $125^\circ\text{C}$  (unless otherwise noted)

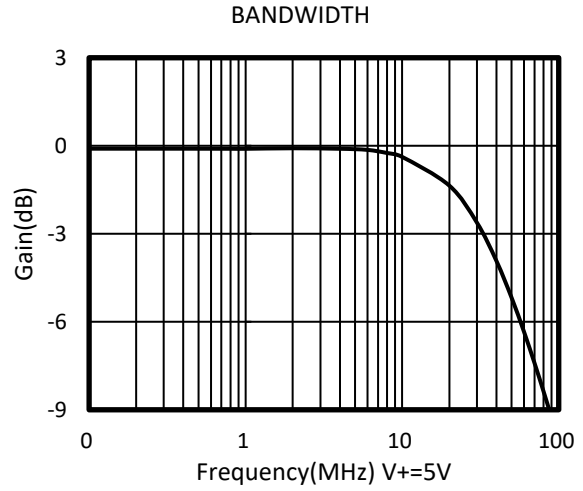
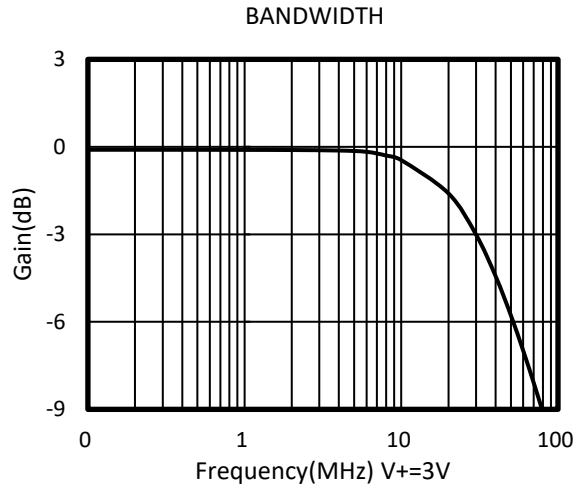
PARAMETER	SYMBOL	CONDITIONS	V+	T <sub>A</sub>	MIN	TYP	MAX	UNITS
<b>ANALOG SWITCH</b>								
Analog Signal Range	$V_{NO}, V_{NC}, V_{COM}$			FULL	0		V+	V
On-Resistance	$R_{ON}$	$0 \leq (V_{NO} \text{ or } V_{NC}) \leq V+$ , $I_{COM} = -10\text{mA}$ , Switch ON, See Figure 1	5V	+25°C		0.5	0.9	$\Omega$
				FULL			1.1	$\Omega$
			3.3V	+25°C		0.8	1.3	$\Omega$
				FULL			1.5	$\Omega$
On-Resistance Match Between Channels	$\Delta R_{ON}$	$0 \leq (V_{NO} \text{ or } V_{NC}) \leq V+$ , $I_{COM} = -10\text{mA}$ , Switch ON, See Figure 1	5V	+25°C		0.04	0.1	$\Omega$
				FULL			0.12	$\Omega$
			3.3V	+25°C		0.04	0.1	$\Omega$
				FULL			0.12	$\Omega$
On-Resistance Flatness	$R_{FLAT(ON)}$	$0 \leq (V_{NO} \text{ or } V_{NC}) \leq V+$ , $I_{COM} = -10\text{mA}$ , Switch ON, See Figure 1	5V	+25°C		0.09	0.15	$\Omega$
				FULL			0.2	$\Omega$
			3.3V	+25°C		0.24	0.3	$\Omega$
				FULL			0.4	$\Omega$
NC,NO OFF Leakage Current	$I_{NC(OFF)}, I_{NO(OFF)}$	$V_{NO} \text{ or } V_{NC} = 0.3\text{V}$ , $V+/2$ $V_{COM} = V+/2$ , 0.3V See Figure 2	1.8 to 5.5V	FULL			1	$\mu\text{A}$
NC,NO,COM ON Leakage Current	$I_{NC(ON)}, I_{NO(ON)}, I_{COM(ON)}$	$V_{NO} \text{ or } V_{NC} = 0.3\text{V}$ , Open $V_{COM} = \text{Open}$ , 0.3V See Figure 2	1.8 to 5.5V	FULL			1	$\mu\text{A}$
<b>DIGITAL CONTROL INPUTS<sup>(1)</sup></b>								
Input High Voltage	$V_{INH}$		5V	FULL	2.4			V
			3.3V	FULL	2.0			V
Input Low Voltage	$V_{INL}$		5V	FULL			0.8	V
			3.3V	FULL			0.5	V
Input Leakage Current	$I_{IN}$	$V_{IN} = V_{IO} \text{ or } 0$	1.8 to 5.5V	FULL			1	$\mu\text{A}$

(1) All unused digital inputs of the device must be held at  $V_{IO}$  or GND to ensure proper device operation.

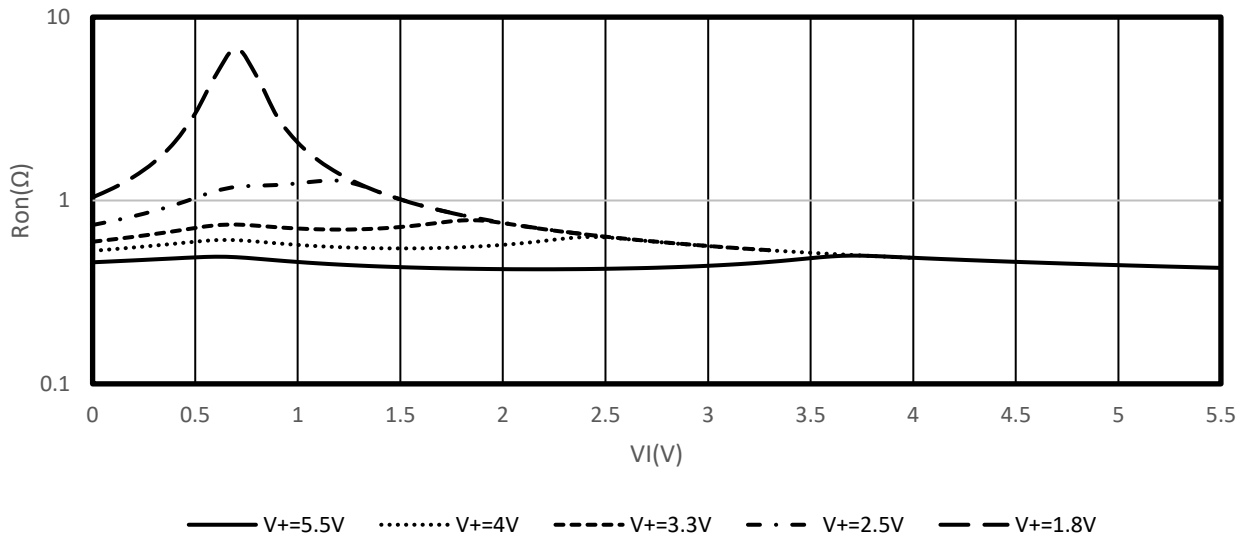
**ELECTRICAL CHARACTERISTICS (continued)**
 $V_+ = 5.0\text{ V}$ , TEMP=  $-40^\circ\text{C}$  to  $125^\circ\text{C}$  (unless otherwise noted)

PARAMETER	SYMBOL	CONDITIONS	V+	TEMP	MIN	TYP	MAX	UNITS
<b>DYNAMIC CHARACTERISTICS</b>								
Turn-On Time	$t_{ON}$	$V_{COM} = V_+$ , $R_L = 300\Omega$ , $C_L = 35\text{pF}$ , See Figure 5	5V	+25°C		50		ns
			3.3V			50		
Turn-Off Time	$t_{OFF}$	$V_{COM} = V_+$ , $R_L = 300\Omega$ , $C_L = 35\text{pF}$ , See Figure 5	5V	+25°C		15		ns
			3.3V			17		
Break-Before-Make Time Delay	$t_{BBM}$	$V_{NO1} = V_{NC1} = V_{NO2} = V_{NC2} = 3\text{V}$ , $R_L = 300\Omega$ , $C_L = 35\text{pF}$ , See Figure 6	5V	+25°C		10		ns
			3.3V			11		
Off Isolation	$O_{ISO}$	$R_L = 50\Omega$ , Switch OFF, See Figure 8	$f = 100\text{KHz}$	+25°C		-68		dB
			$f = 10\text{KHz}$	+25°C		-86		dB
-3dB Bandwidth	BW	Switch ON, $R_L = 50\Omega$ See Figure 7		+25°C		30		MHz
NC,NO OFF Capacitance	$C_{NC(OFF)}$ , $C_{NO(OFF)}$	$V_{NC}$ or $V_{NO} = V_+/2$ or GND, Switch OFF See Figure 4		+25°C		80		pF
NC,NO,COM ON Capacitance	$C_{NC(ON)}$ , $C_{NO(ON)}$ , $C_{COM(ON)}$	$V_{NC}$ or $V_{NO} = V_+/2$ or GND, Switch ON See Figure 4		+25°C		350		pF
<b>POWER REQUIREMENTS</b>								
Power Supply Range	$V_+$			FULL	1.8		5.5	V
Power Supply Current	$I_+$	$V_{IN} = \text{GND}$ or $V_+$	5.5V	FULL			1	$\mu\text{A}$

TYPICAL CHARACTERISTICS



Typical ron as a Function of Input Voltage (VI ) for VI = 0 to V+



### Parameter Measurement Information

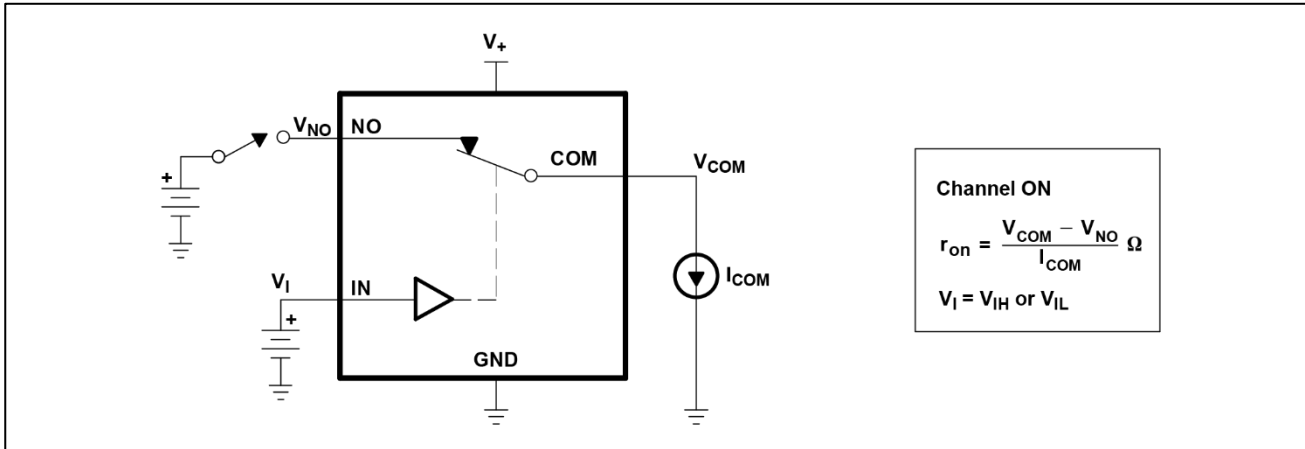


Figure 1.ON-State Resistance ( $r_{on}$ )

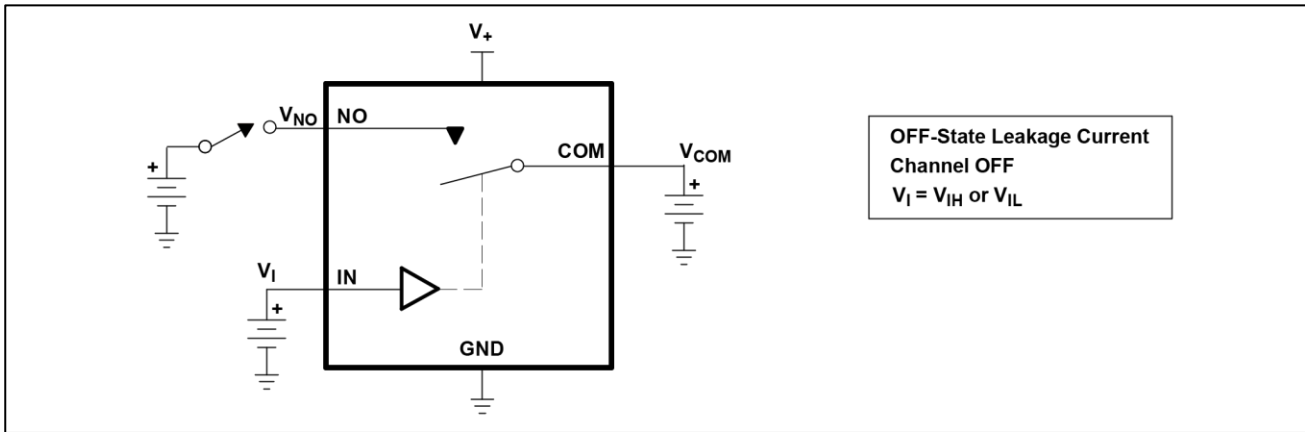


Figure 2.OFF-State Leakage Current ( $I_{COM(OFF)}$ ,  $I_{NO(OFF)}$ )

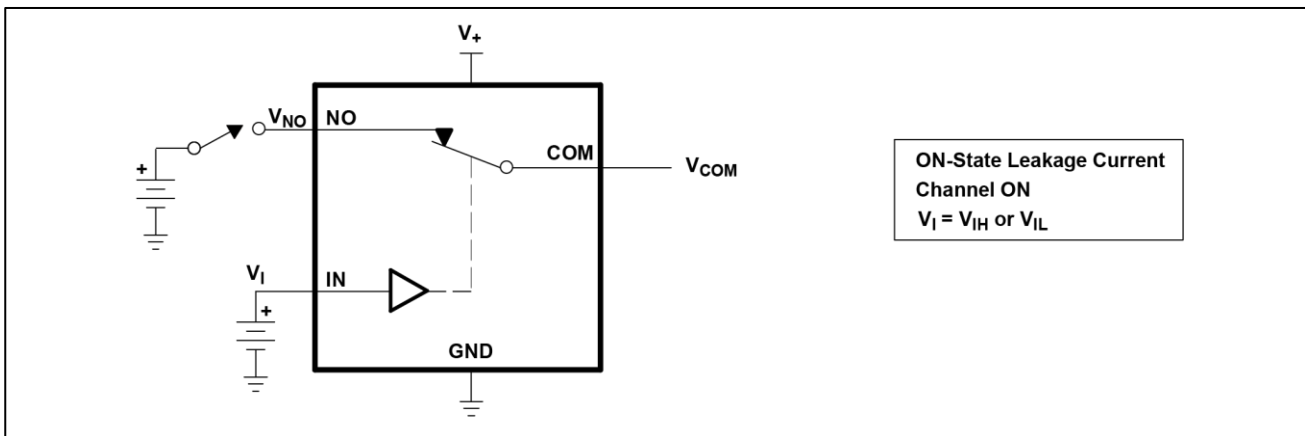


Figure 3.ON-State Leakage Current ( $I_{COM(ON)}$ ,  $I_{NO(ON)}$ )

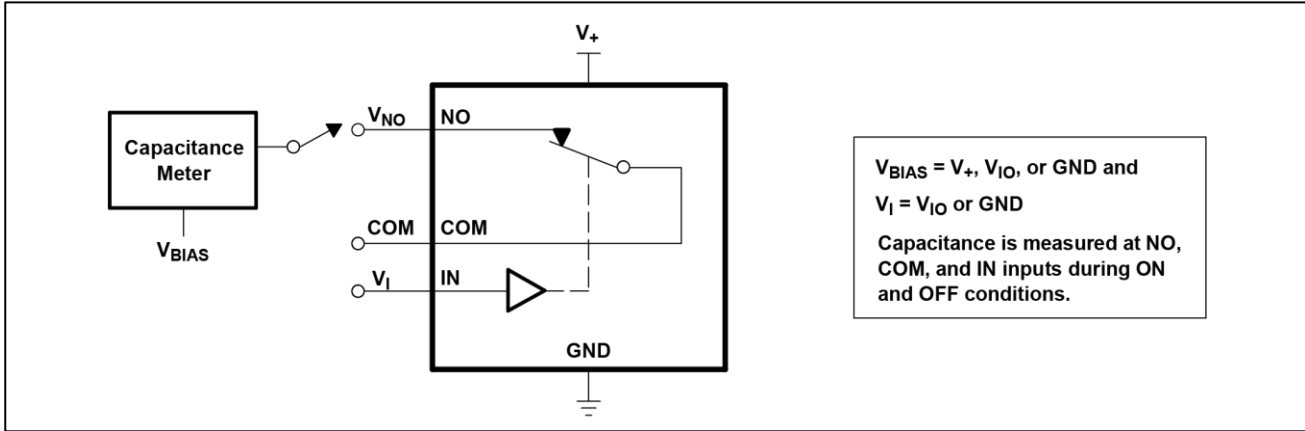


Figure 4. Capacitance ( $C_I$ ,  $C_{COM(OFF)}$ ,  $C_{COM(ON)}$ ,  $C_{NO(OFF)}$ ,  $C_{NO(ON)}$ )

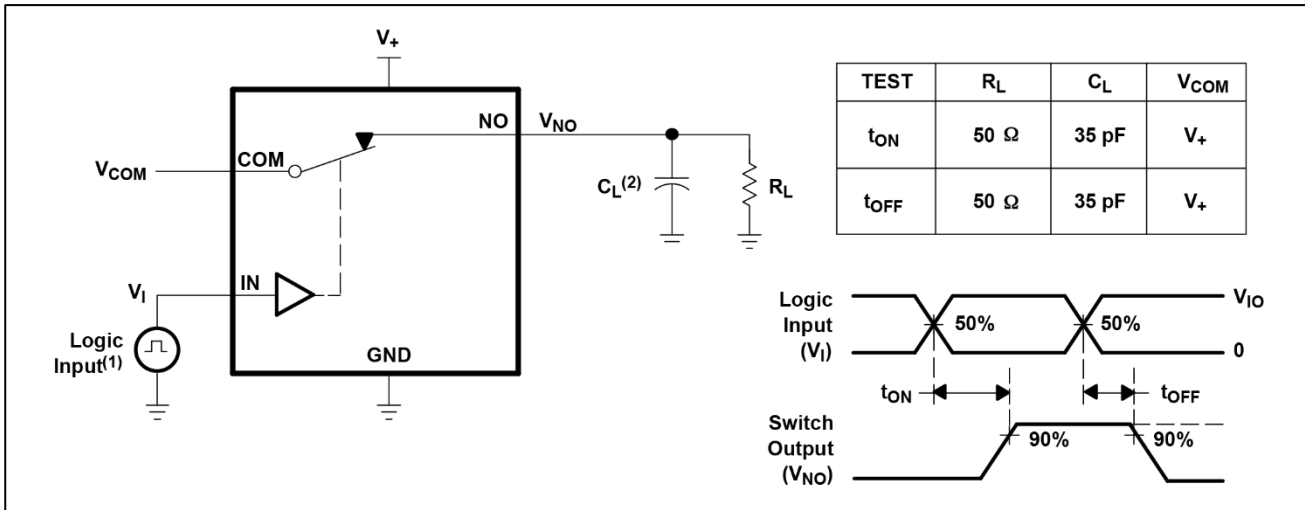


Figure 5. Turn-On ( $t_{ON}$ ) and Turn-Off Time ( $t_{OFF}$ )

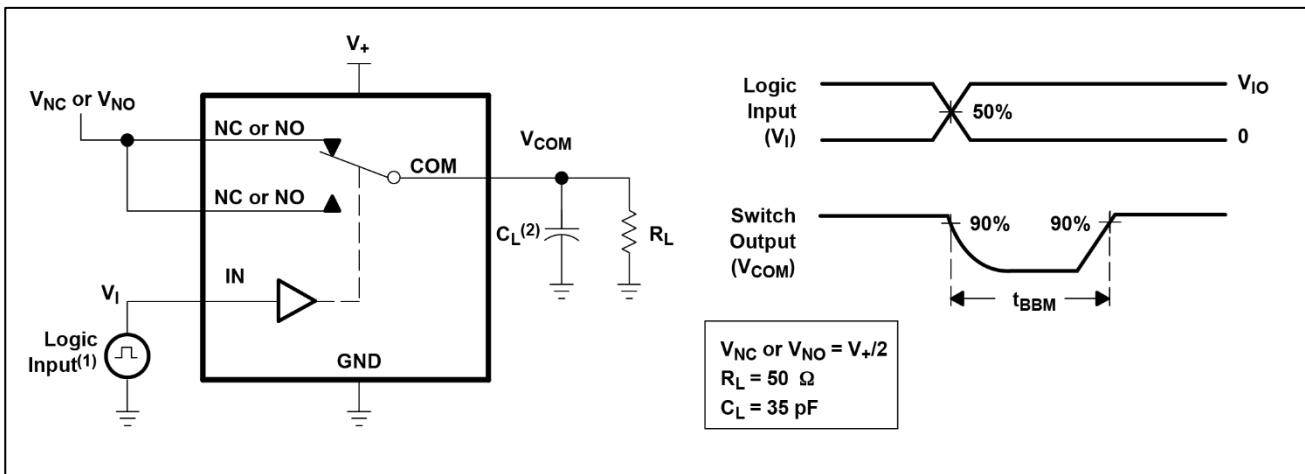


Figure 6. Break-Before-Make Time ( $t_{BBM}$ )

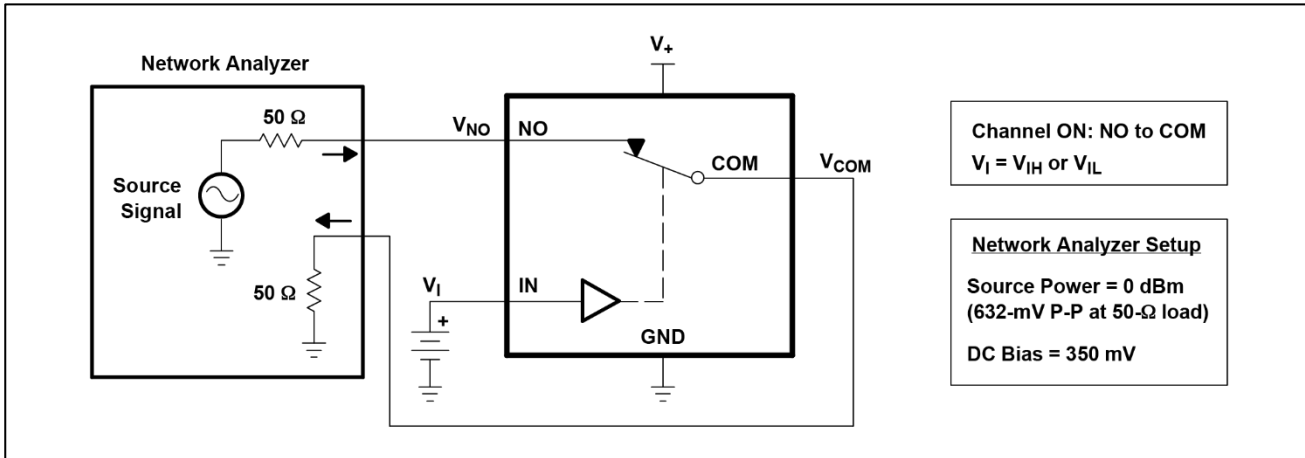


Figure 7. Bandwidth (BW)

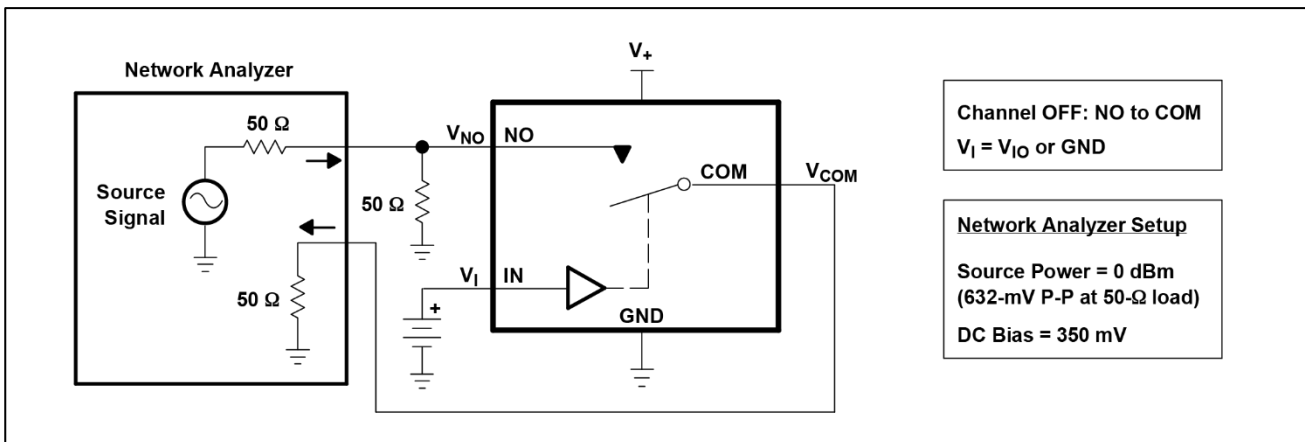


Figure 8. OFF Isolation ( $O_{Iso}$ )

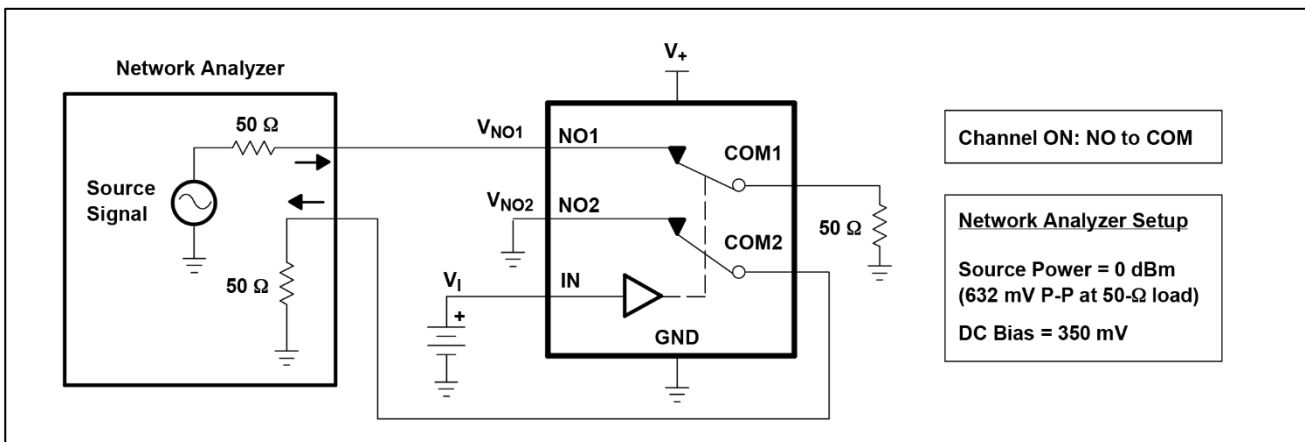


Figure 9. Crosstalk ( $X_{TALK}$ )



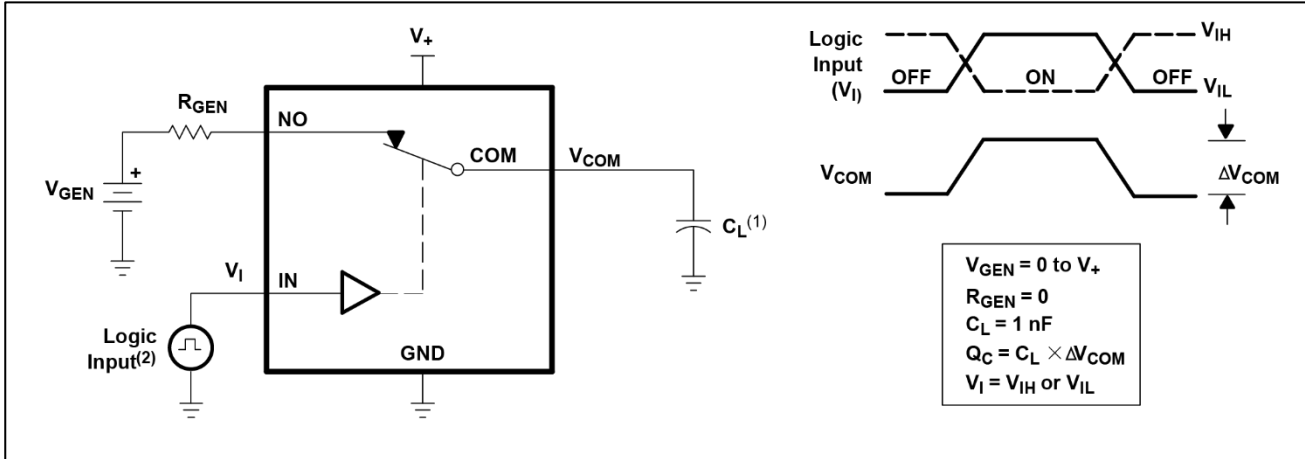


Figure 10. Charge Injection ( $Q_C$ )

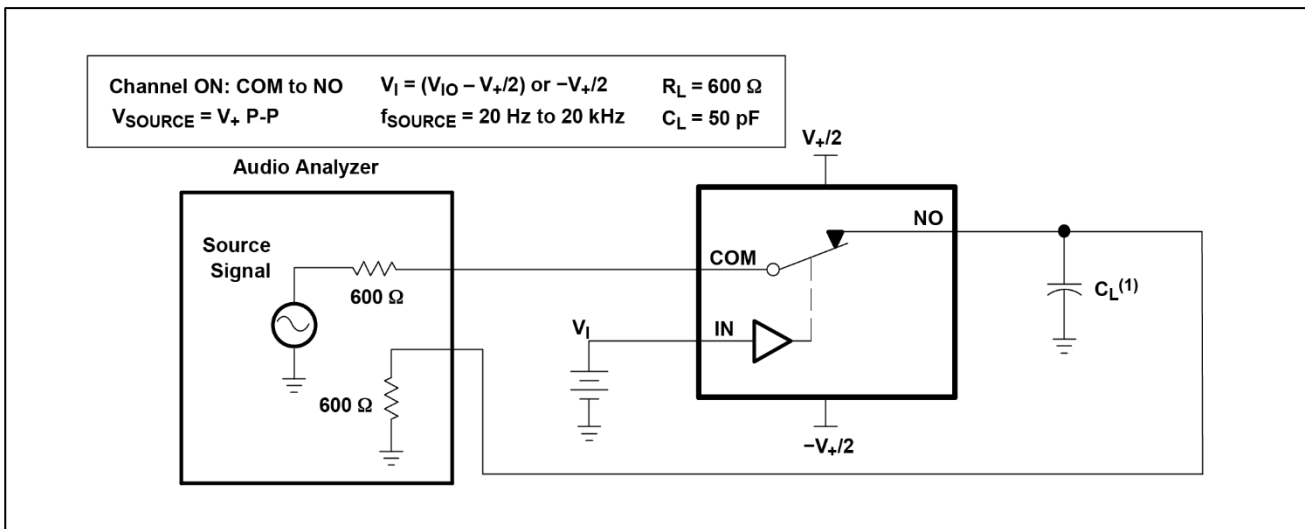
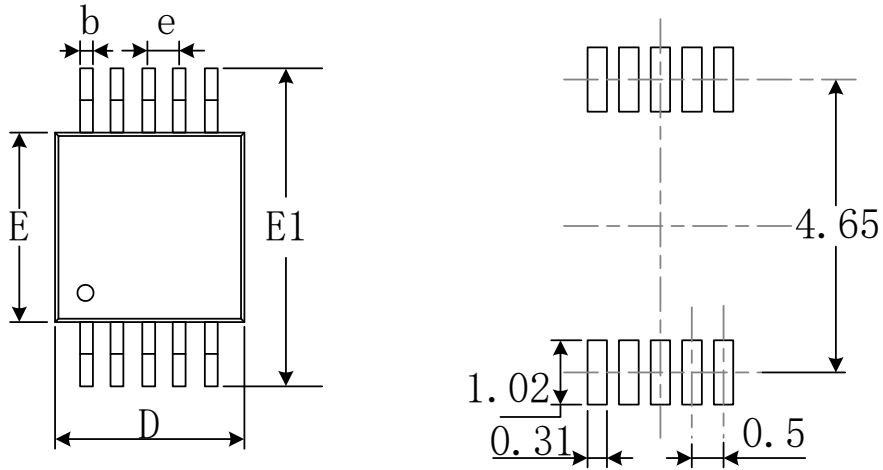


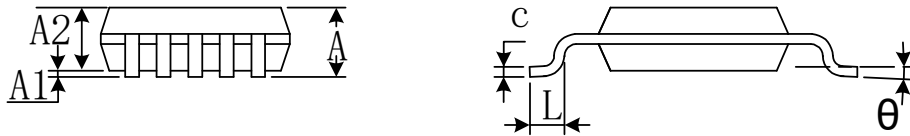
Figure 11. Total Harmonic Distortion (THD)

# PACKAGE OUTLINE DIMENSIONS

## MSOP-10

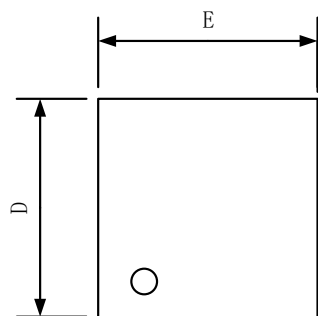
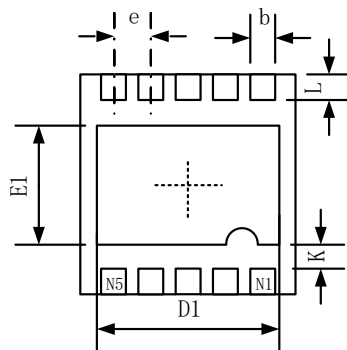
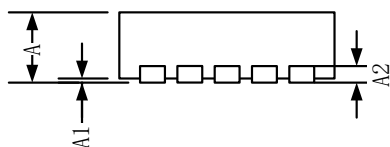
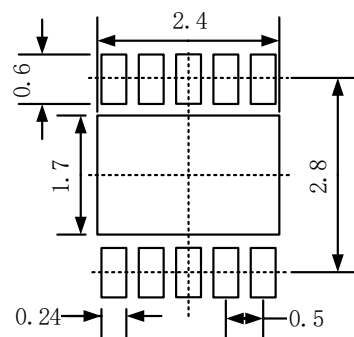


RECOMMENDED LAND PATTERN (Unit: mm)



Symbol	Dimensions In Millimeters		Dimensions In Inches	
	Min	Max	Min	Max
A	0.820	1.100	0.032	0.043
A1	0.020	0.150	0.001	0.006
A2	0.750	0.950	0.030	0.037
b	0.180	0.280	0.007	0.011
c	0.090	0.230	0.004	0.009
D	2.900	3.100	0.114	0.122
e	0.50(BSC)		0.020(BSC)	
E	2.900	3.100	0.114	0.122
E1	4.750	5.050	0.187	0.199
L	0.400	0.800	0.016	0.031
θ	0°	6°	0°	6°

# TDFN-3x3-10L


**TOP VIEW**

**BOTTOM VIEW**

**SIDE VIEW**

**RECOMMENDED LAND PATTERN (Unit: mm)**

Symbol	Dimensions In Millimeters		Dimensions In Inches	
	Min	Max	Min	Max
A	0.700	0.800	0.028	0.031
A1	0.000	0.050	0.000	0.002
A2	0.203		0.008	
b	0.180	0.300	0.007	0.012
D	2.900	3.100	0.114	0.122
D1	2.300	2.600	0.091	0.103
E	2.900	3.100	0.114	0.122
E1	1.500	1.800	0.059	0.071
e	0.500 TYP		0.020 TYP	
k	0.200 MIN		0.008 MIN	
L	0.300	0.500	0.012	0.020

## X-ON Electronics

Largest Supplier of Electrical and Electronic Components

*Click to view similar products for [Analogue Switch ICs](#) category:*

*Click to view products by [RUNIC](#) manufacturer:*

Other Similar products are found below :

[FSA3051TMX](#) [NLAS4684FCTCG](#) [NLAS5223BLMNR2G](#) [NLVAS4599DTT1G](#) [NLX2G66DMUTCG](#) [425541DB](#) [425528R](#) [099044FB](#)  
[MAX4762ETB+](#) [NLAS5123MNR2G](#) [PI5A4157CEX](#) [PI5A4599BCEX](#) [NLAS4717EPFCT1G](#) [PI5A3167CCEX](#) [SLAS3158MNR2G](#)  
[PI5A392AQEX](#) [PI5A392AQE](#) [FSA634UCX](#) [NX3L1T5157GMZ](#) [ADG714BCPZ-REEL7](#) [HT4051ARZ](#) [TC4066BP\(N,F\)](#) [DG302BDJ-E3](#)  
[ADG854BCPZ-REEL7](#) [PI5A100WE](#) [PI5A100QEX](#) [HV2733FG-G](#) [HV2701FG-G](#) [HV2301FG-G](#) [HV2301FG-G-M931](#) [RS2117YUTQK10](#)  
[RS2118YUTQK10](#) [RS2227XUTQK10](#) [ADG452BRZ-REEL7](#) [MAX391CPE+](#) [MAX4744ELB+](#) [MAX4730EXT+T](#) [MAX4730ELT+](#)  
[MAX333AEWP+](#) [BU4066BC](#) [MAX313CPE+](#) [BU4S66G2-TR](#) [NLASB3157MTR2G](#) [NX3L4684TK,115](#) [NX5L2750CGUX](#)  
[NLAS4157DFT2G](#) [NLAS4599DFT2G](#) [NLASB3157DFT2G](#) [NLAST4599DFT2G](#) [NLAST4599DTT1G](#)