

## Octal Buffer/Driver With 3-State Outputs

### FEATURES

- **Power-Supply Range:** 1.65V to 5.5V
- **V<sub>CC</sub> Isolation:** If V<sub>CC</sub> is at GND, Both Ports are in the High-Impedance State
- **I<sub>OFF</sub>:** Supports Partial-Power-Down Mode Operation
- **Extended Temperature:** -40°C to +125°C

### APPLICATIONS

- Handset
- Smartphone
- Tablet
- Desktop PC

### DESCRIPTION

This RS244 is an octal non-inverting buffer/driver with 3-state outputs. The 3-state outputs are controlled by the output enable inputs  $1\overline{OE}$  and  $2\overline{OE}$ . A HIGH on  $\overline{OE}$  causes the outputs to assume a high impedance OFF-state. V<sub>CC</sub> supporting operating voltage from 1.65 V to 5.5 V.

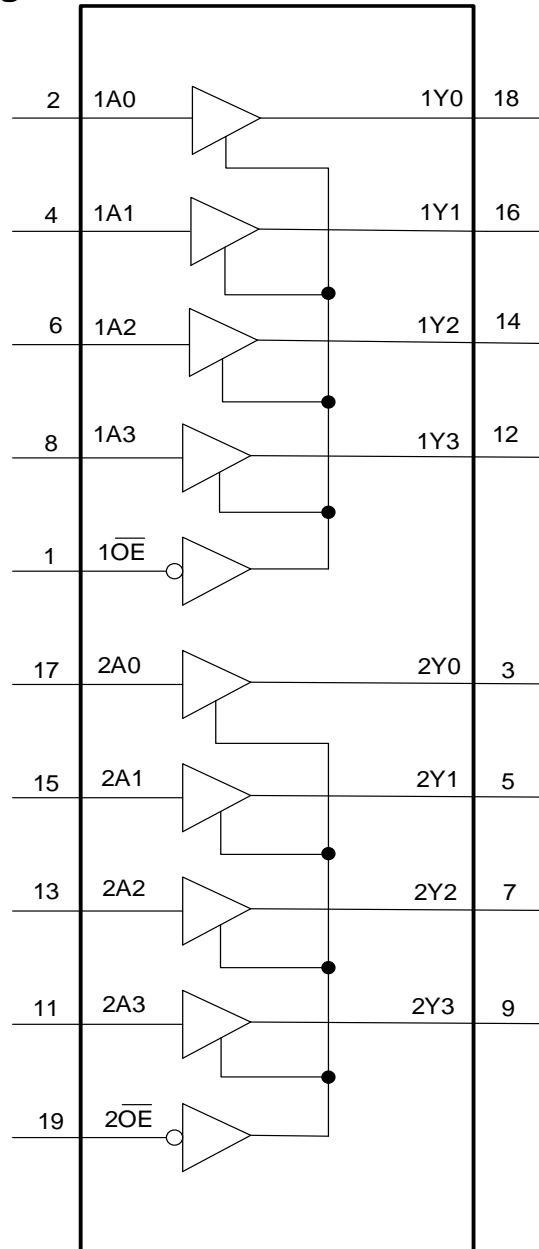
To ensure the high-impedance state during power up or power down,  $\overline{OE}$  should be tied to V<sub>CC</sub> through a pullup resistor, the minimum value of the resistor is determined by the current-sinking capability of the driver.

Device Information <sup>(1)</sup>

PART NUMBER	PACKAGE	BODY SIZE (NOM)
RS244	TSSOP20(20)	6.50mm×4.40mm
	SOP20(20)	12.80mm×7.50mm

(1) For all available packages, see the orderable addendum at the end of the data sheet.

### Functional Block Diagram



**Function Table**

INPUTS		OUTPUT
$\overline{OE}$	A PORT	Y PORT
L	H	H
L	L	L
H	X	Hi-Z

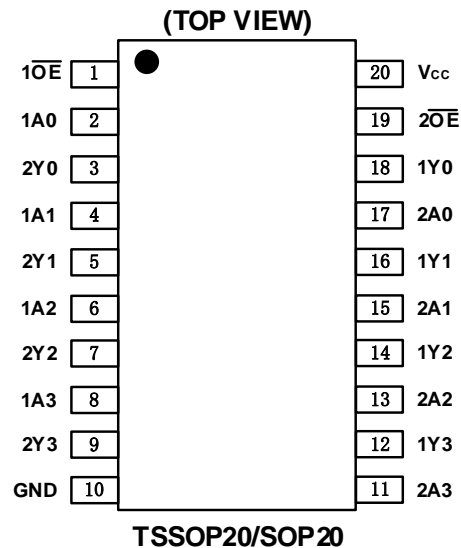
NOTE:  
H=HIGH voltage level  
L=LOW voltage level  
X=don't care  
Z=high impedance OFF-state

## Revision History

Note: Page numbers for previous revisions may differ from page numbers in the current version.

VERSION	Change Date	Change Item
A.1	2021/02/27	Initial version completed
A.2	2021/08/18	1. Delete Switching Characteristics redundant content in Page 9@A.1 Version.

## PIN CONFIGURATIONS



## PIN DESCRIPTION

PIN	NAME	TYPE <sup>(1)</sup>	FUNCTION
TSSOP20/SOP20			
1	$\overline{1OE}$	I	Output Enable (Active Low). Pull $\overline{1OE}$ high to place all outputs in 3-state mode.
2	1A0	I	Input
3	2Y0	O	Output
4	1A1	I	Input
5	2Y1	O	Output
6	1A2	I	Input
7	2Y2	O	Output
8	1A3	I	Input
9	2Y3	O	Output
10	GND	G	Ground.
11	2A3	I	Input
12	1Y3	O	Output
13	2A2	I	Input
14	1Y2	O	Output
15	2A1	I	Input
16	1Y1	O	Output
17	2A0	I	Input
18	1Y0	O	Output
19	$\overline{2OE}$	I	Output Enable (Active Low). Pull $\overline{2OE}$ high to place all outputs in 3-state mode.
20	V <sub>CC</sub>	P	Supply voltage. 1.65V ≤ V <sub>CC</sub> ≤ 5.5V

(1) I=input, O=output, I/O=input and output, P=power

## SPECIFICATIONS

### Absolute Maximum Ratings

Over operating free-air temperature range (unless otherwise noted) <sup>(1)</sup>

SYMBOL	PARAMETER		MIN	MAX	UNIT
V <sub>CC</sub>	Supply Voltage Range		-0.5	6.5	V
V <sub>I</sub> <sup>(2)</sup>	Input Voltage Range	A port	-0.5	6.5	V
		Control inputs	-0.5	6.5	V
V <sub>O</sub> <sup>(2)</sup>	Voltage range applied to any output in the high-impedance or power-off state	Y port	-0.5	6.5	V
V <sub>O</sub> <sup>(2)(3)</sup>	Voltage range applied to any output in the high or low state	Y port	-0.5	V <sub>CC</sub> +0.5	V
I <sub>IK</sub>	Input clamp current	V <sub>I</sub> <0		-50	mA
I <sub>OK</sub>	Output clamp current	V <sub>O</sub> <0		-50	mA
I <sub>O</sub>	Continuous output current			±50	mA
	Continuous current through V <sub>CC</sub> or GND			±100	mA
T <sub>J</sub>	Junction Temperature			150	°C
T <sub>stg</sub>	Storage temperature		-65	150	

(1) Stresses beyond those listed under *Absolute Maximum Ratings* may cause permanent damage to the device. These are stress ratings only, which do not imply functional operation of the device at these or any other conditions beyond those indicated under *Recommended Operating Conditions*. Exposure to absolute-maximum-rated conditions for extended periods may affect device reliability.

(2) The input and output negative-voltage ratings may be exceeded if the input and output current ratings are observed.

(3) The value of V<sub>CC</sub> are provided in the recommended operating conditions table.

### ESD Ratings

			VALUE	UNIT
V <sub>(ESD)</sub>	Electrostatic discharge	Human-body model (HBM)	±3000	V
		Machine Model (MM)	±400	V

## Recommended Operating Conditions

$V_{CC}$  is the supply voltage associated with the input port and output port.<sup>(1)(2)</sup>

PARAMETER		$V_{CC}$	MIN	TYP	MAX	UNIT
Supply voltage	$V_{CC}$		1.65		5.5	V
High-level input Voltage ( $V_{IH}$ )	Inputs	1.65V to 1.95V	$V_{CC} \times 0.65$			V
		2.3V to 2.7V	1.7			
		3V to 3.6V	2			
		4.5V to 5.5V	$V_{CC} \times 0.7$			
Low-level input Voltage ( $V_{IL}$ )	Inputs	1.65V to 1.95V			$V_{CC} \times 0.35$	V
		2.3V to 2.7V			0.7	
		3V to 3.6V			0.8	
		4.5V to 5.5V			$V_{CC} \times 0.3$	
Input voltage ( $V_I$ )	Input voltage		0		5.5	V
Output voltage ( $V_O$ )	Output voltage		0		$V_{CC}$	V
High-level output current ( $I_{OH}$ )		1.65V to 1.95V			-4	mA
		2.3V to 2.7V			-8	
		3V to 3.6V			-24	
		4.5V to 5.5V			-32	
Low-level output current ( $I_{OL}$ )		1.65V to 1.95V			4	mA
		2.3V to 2.7V			8	
		3V to 3.6V			24	
		4.5V to 5.5V			32	
Input transition rise or fall rate ( $\Delta t / \Delta v$ )	Data inputs	1.65V to 1.95V			20	ns/V
		2.3V to 2.7V			20	
		3V to 3.6V			10	
		4.5V to 5.5V			5	
$T_A$ Operating free-air temperature			-40		125	°C

(1) All unused or driven (floating) data inputs (I/Os) of the device must be held at logic HIGH or LOW (preferably  $V_{CC}$  or GND) to ensure proper device operation and minimize power.

(2) All unused control inputs must be held at  $V_{CC}$  or GND to ensure proper device operation and minimize power consumption.

(3) For  $V_{CC}$  values not specified in the data sheet,  $V_{IH} \text{ min} = V_{CC} \times 0.7 \text{ V}$ ,  $V_{IL} \text{ max} = V_{CC} \times 0.3 \text{ V}$ .

**PACKAGE/ORDERING INFORMATION**

PRODUCT	ORDERING NUMBER	TEMPERATURE RANGE	PACKAGE LEAD	PACKAGE MARKING <sup>(1)</sup>	MSL <sup>(2)</sup>	PACKAGE OPTION
RS244	RS244YTSS20	-40°C ~+125°C	TSSOP20	RS244	MSL3	Tape and Reel,4000
	RS244YS20	-40°C ~+125°C	SOP20	RS244	MSL3	Tape and Reel,1500

## NOTE:

- (1) There may be additional marking, which relates to the lot trace code information(data code and vendor code), the logo or the environmental category on the device.
- (2) MSL, The Moisture Sensitivity Level rating according to the JEDEC industry standard classifications.

## Electrical Characteristics

over recommended operating free-air temperature range (unless otherwise noted) <sup>(1)</sup> <sup>(2)</sup> <sup>(3)</sup>

PARAMETER	CONDITIONS	V <sub>CC</sub>	TEMP	MIN	TYP	MAX	UNIT	
V <sub>OH</sub>	I <sub>OH</sub> = -100 μA V <sub>I</sub> = V <sub>IH</sub>	1.65V to 4.5V	Full	V <sub>CC</sub> -0.1			V	
	I <sub>OH</sub> = -4mA V <sub>I</sub> = V <sub>IH</sub>	1.65V		1.2				
	I <sub>OH</sub> = -8mA V <sub>I</sub> = V <sub>IH</sub>	2.3V		1.9				
	I <sub>OH</sub> = -24mA V <sub>I</sub> = V <sub>IH</sub>	3V		2.4				
	I <sub>OH</sub> = -32mA V <sub>I</sub> = V <sub>IH</sub>	4.5V		3.8				
V <sub>OL</sub>	I <sub>OL</sub> = 100 μA V <sub>I</sub> = V <sub>IL</sub>	1.65V to 4.5V					0.1	V
	I <sub>OL</sub> = 4mA V <sub>I</sub> = V <sub>IL</sub>	1.65V					0.45	
	I <sub>OL</sub> = 8mA V <sub>I</sub> = V <sub>IL</sub>	2.3V					0.3	
	I <sub>OL</sub> = 24mA V <sub>I</sub> = V <sub>IL</sub>	3V					0.55	
	I <sub>OL</sub> = 32mA V <sub>I</sub> = V <sub>IL</sub>	4.5V					0.55	
I <sub>I</sub>	V <sub>I</sub> = 5.5V or GND	5.5V	+25°C			±1	μA	
I <sub>off</sub>	V <sub>I</sub> or V <sub>O</sub> = 0 to 5.5V	0V	+25°C			±1	μA	
			Full			±2		
I <sub>oz</sub>	V <sub>O</sub> = V <sub>CC</sub> or GND, OE = V <sub>IH</sub>	1.65V to 5.5V	+25°C			±1	μA	
			Full			±2		
I <sub>CC</sub>	V <sub>CC</sub> supply current V <sub>I</sub> = V <sub>CC</sub> or GND I <sub>O</sub> = 0	1.65V to 5.5V	+25°C			1	μA	
			Full			5		
		0V	Full			-2		
ΔI <sub>CC</sub>	One A port at V <sub>CC</sub> - 0.6V, Y port = open	3V to 5.5V	Full			50	μA	
C <sub>I</sub>	V <sub>I</sub> = V <sub>CC</sub> or GND	3.3V	+25°C		8.5		pF	
C <sub>O</sub>	V <sub>O</sub> = V <sub>CC</sub> or GND	3.3V	+25°C		8.5		pF	



## Switching Characteristics

PARAMETER	FROM (INPUT)	TO (OUTPUT)	V <sub>CC</sub> =1.8V ±0.15V		V <sub>CC</sub> =2.5V ±0.2V		V <sub>CC</sub> =3.3V ±0.3V		V <sub>CC</sub> =5V ±0.5V		UNIT
			MIN	MAX	MIN	MAX	MIN	MAX	MIN	MAX	
t <sub>PLH</sub>	An	Yn	1.7	21.6	1.3	9.1	1.0	7.4	0.8	7.1	ns
t <sub>PHL</sub>											
t <sub>PHZ</sub>	$\overline{OE}$	Yn	2.4	32.2	1.9	12.9	1.7	12.0	1.3	10.2	ns
t <sub>PLZ</sub>											
t <sub>PZH</sub>	$\overline{OE}$	Yn	1.8	31.9	1.5	16	1.2	12.6	0.9	10.8	ns
t <sub>PZL</sub>											

## Operating Characteristics

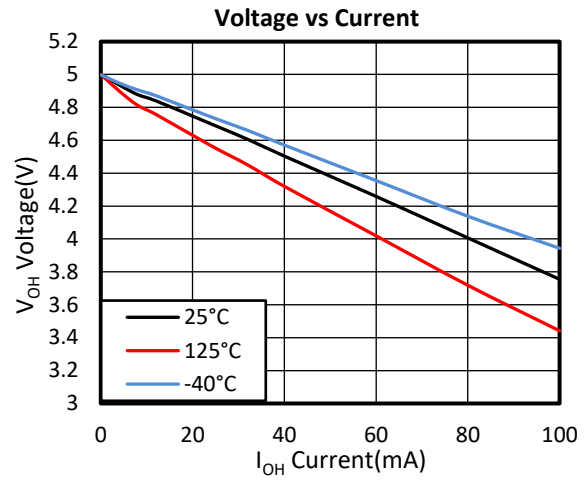
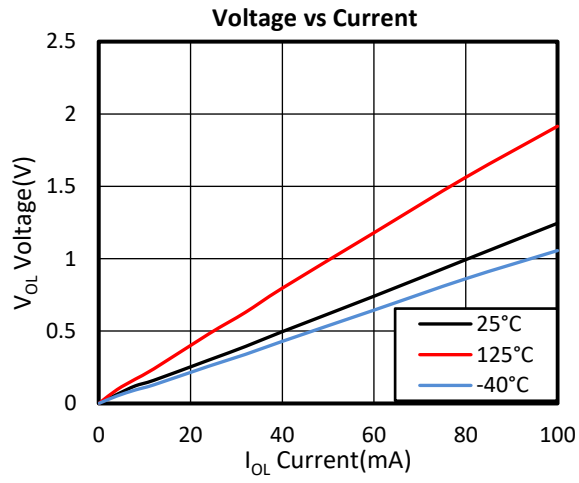
T<sub>A</sub>=25°C

PARAMETER		TEST CONDITIONS	V <sub>CC</sub> =1.8V	V <sub>CC</sub> =2.5V	V <sub>CC</sub> =3.3V	V <sub>CC</sub> =5V	UNIT
			TYP	TYP	TYP	TYP	
C <sub>pd</sub> <sup>(1)</sup>	Outputs enabled	C <sub>L</sub> =0, f=10MHz, t <sub>r</sub> =t <sub>f</sub> =1ns	42	42	43	44	pF
	Outputs disabled		2	2	2	3	

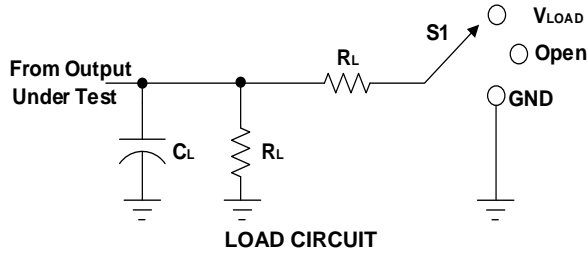
(1) Power dissipation capacitance per transceiver

## Typical Characteristics

At  $T_A = +25^\circ\text{C}$ ,  $V_{CC}=5\text{V}$ , unless otherwise noted.

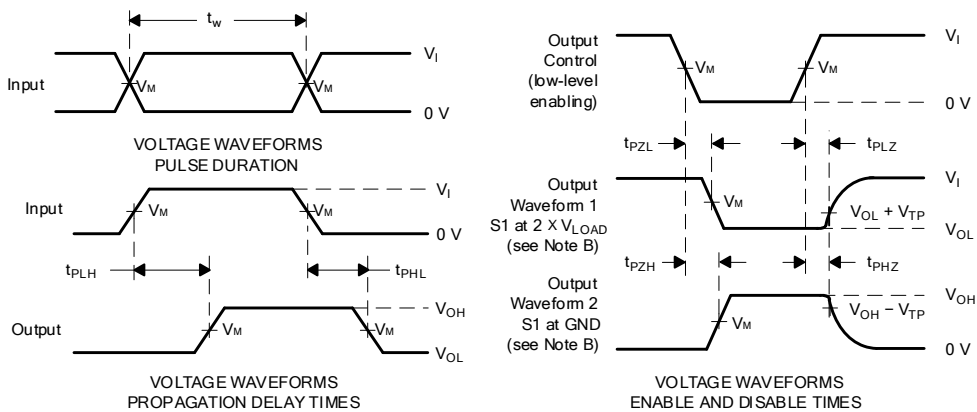


## Parameter Measurement Information



TEST	S1
$t_{pd}$	Open
$t_{PLZ}/t_{PZL}$	$V_{LOAD}$
$t_{PHZ}/t_{PZH}$	GND

$V_{CC}$	$V_I$	$V_M$	$C_L$	$R_L$	$V_{TP}$
$1.8V \pm 0.15V$	$V_{CC}$	$V_{CC}/2$	15pF	2k $\Omega$	0.15V
$2.5V \pm 0.2V$	$V_{CC}$	$V_{CC}/2$	15pF	2k $\Omega$	0.15V
$3.3V \pm 0.3V$	2.7V	1.5V	15pF	2k $\Omega$	0.3V
$5V \pm 0.5V$	2.7V	1.5V	15pF	2k $\Omega$	0.3V



NOTES: A.  $C_L$  includes probe and jig capacitance.

B. Waveform 1 is for an output with internal conditions such that the output is low, except when disabled by the output control.

Waveform 2 is for an output with internal conditions such that the output is high, except when disabled by the output control.

C. All input pulses are supplied by generators having the following characteristics:  $PRR \leq 10$  MHz,  $Z_O = 50 \Omega$ ,  $dv/dt \geq 1V/ns$ .

D. The outputs are measured one at a time, with one transition per measurement.

E.  $t_{PLZ}$  and  $t_{PHZ}$  are the same as  $t_{dis}$ .

F.  $t_{PZL}$  and  $t_{PZH}$  are the same as  $t_{en}$ .

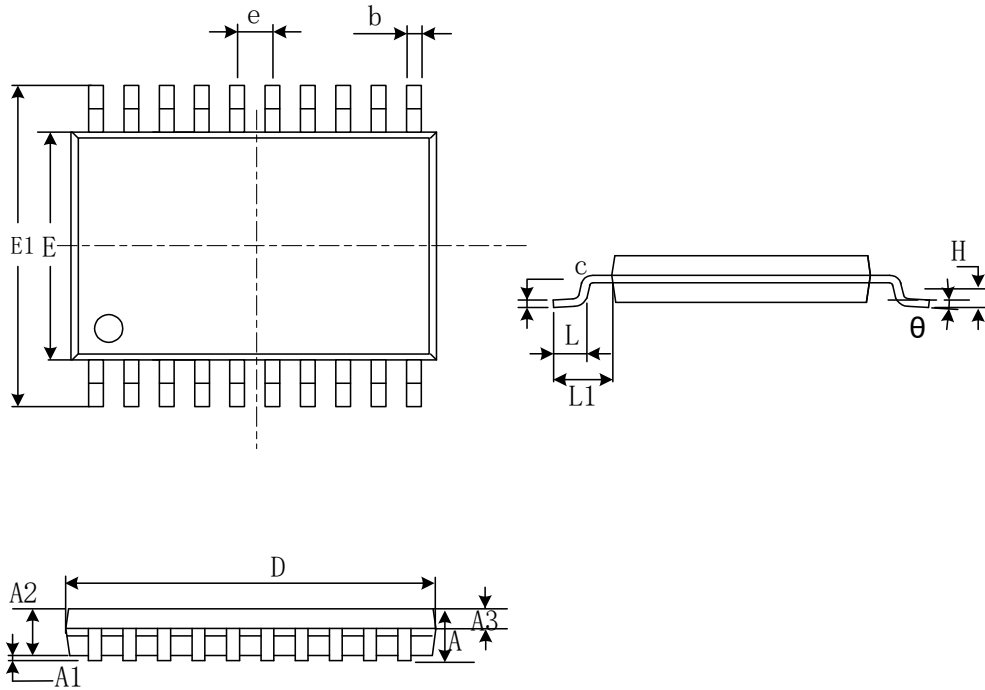
G.  $t_{PLH}$  and  $t_{PHL}$  are the same as  $t_{pd}$ .

H. All parameters and waveforms are not applicable to all devices.

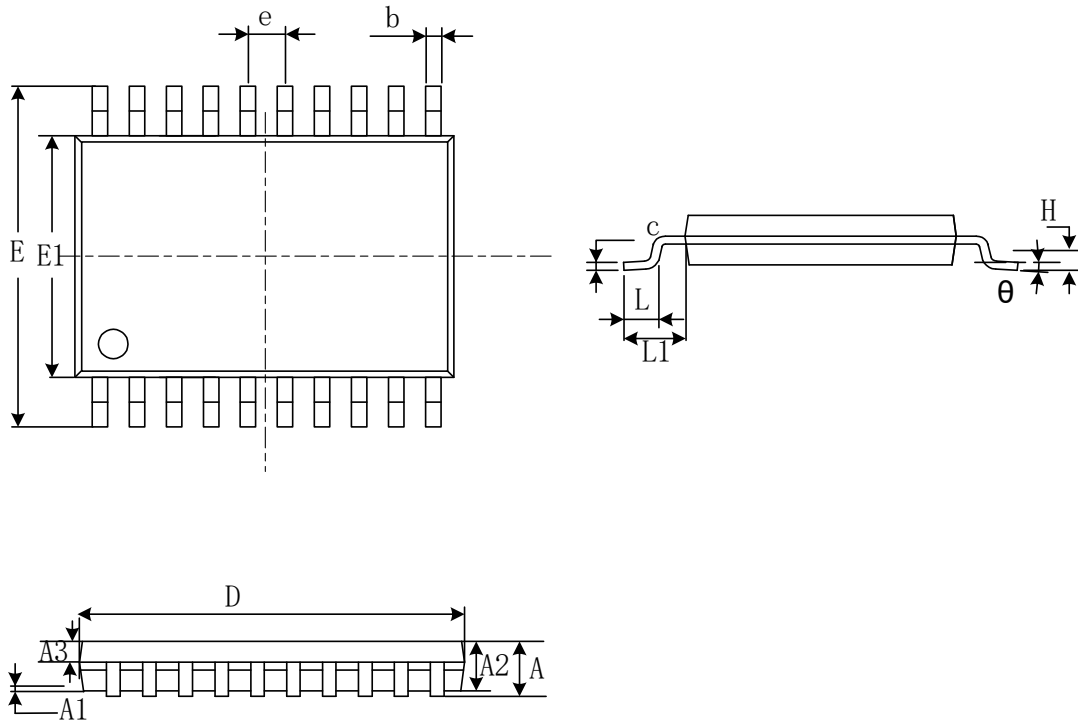
**Figure 1. Load Circuit and Voltage Waveforms**

# PACKAGE OUTLINE DIMENSIONS

## TSSOP20



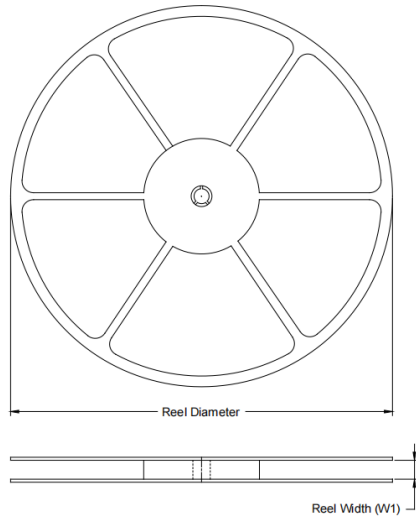
Symbol	Dimensions In Millimeters		Dimensions In Inches	
	Min	Max	Min	Max
A		1.200		0.047
A1	0.050	0.150	0.002	0.006
A2	0.800	1.050	0.031	0.041
A3	0.390	0.490	0.015	0.020
b	0.200	0.290	0.008	0.011
c	0.130	0.170	0.005	0.007
D	6.400	6.600	0.252	0.260
E	4.300	4.500	0.169	0.177
E1	6.200	6.600	0.244	0.260
e	0.650(BSC)		0.026(BSC)	
L	0.450	0.750	0.018	0.030
H	0.250(TYP)		0.010(TYP)	
$\theta$	0°	8°	0°	8°
L1	1.00(REF)		0.039(REF)	

**SOP20**


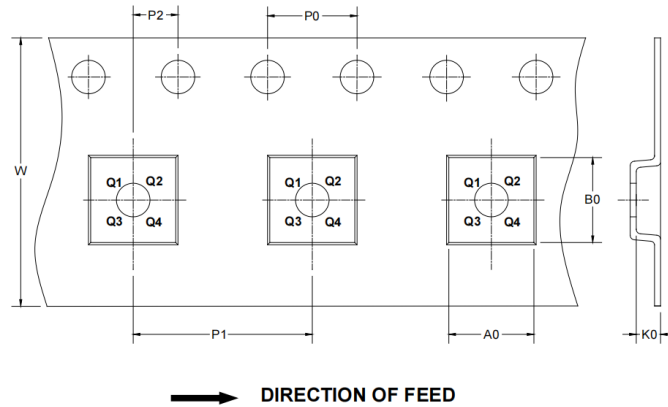
Symbol	Dimensions In Millimeters		Dimensions In Inches	
	Min	Max	Min	Max
A		2.650		0.104
A1	0.100	0.300	0.004	0.012
A2	2.250	2.350	0.089	0.093
A3	0.970	1.070	0.038	0.042
b	0.390	0.470	0.015	0.019
c	0.250	0.290	0.010	0.011
D	12.700	12.900	0.500	0.508
E	10.100	10.500	0.398	0.413
E1	7.400	7.600	0.291	0.299
e	1.270(BSC)		0.050(BSC)	
L	0.700	1.000	0.028	0.039
H	0.250(TYP)		0.010(TYP)	
$\theta$	0°	8°	0°	8°
L1	1.400(REF)		0.055(REF)	

## TAPE AND REEL INFORMATION

### REEL DIMENSIONS



### TAPE DIMENSION



NOTE: The picture is only for reference. Please make the object as the standard.

### KEY PARAMETER LIST OF TAPE AND REEL

Package Type	Reel Diameter	Reel Width (mm)	A0 (mm)	B0 (mm)	K0 (mm)	P0 (mm)	P1 (mm)	P2 (mm)	W (mm)	Pin1 Quadrant
TSSOP20	13"	12.4	6.75	6.95	1.20	4.0	8.0	2.0	12.0	Q1
SOP20	13"	24.4	10.75	13.55	2.65	4.0	12.0	2.0	24.0	Q1

## X-ON Electronics

Largest Supplier of Electrical and Electronic Components

*Click to view similar products for [Buffers & Line Drivers](#) category:*

*Click to view products by [RUNIC](#) manufacturer:*

Other Similar products are found below :

[LXV200-024SW](#) [74AUP2G34FW3-7](#) [HEF4043BP](#) [NL17SG125DFT2G](#) [NLU1GT126CMUTCG](#) [CD4041UBE](#) [54FCT240CTDB](#)  
[74HCT540N](#) [DS14C88N](#) [070519XB](#) [NL17SZ07P5T5G](#) [74LVC2G17FW4-7](#) [CD4502BE](#) [5962-8982101PA](#) [61446R00](#) [NL17SH17P5T5G](#)  
[NLV37WZ17USG](#) [74HCT126T14-13](#) [74VHC9126FT\(BJ\)](#) [RHRXH162244K1](#) [74AUP1G34FW5-7](#) [74AUP1G07FW5-7](#) [74LVC1G126FW4-7](#)  
[74LVC2G126RA3-7](#) [74LVCE1G125FZ4-7](#) [54FCT240TLB](#) [NLX3G16DMUTCG](#) [NLX2G06AMUTCG](#) [LE87100NQCT](#) [LE87285NQC](#)  
[LE87290YQC](#) [LE87290YQCT](#) [74AUP1G125FW5-7](#) [NLU2G16CMUTCG](#) [MC74LCX244MN2TWG](#) [NL17SG17P5T5G](#)  
[NLV74HC125ADR2G](#) [NLVHCT245ADTR2G](#) [NLVVHC1G126DFT2G](#) [EL5623IRZ](#) [ISL15102AIRZ-T13](#) [ISL1539IRZ-T13](#)  
[MC100EP17MNG](#) [MC74HCT365ADR2G](#) [MC74LCX244ADTR2G](#) [NL27WZ126US](#) [NL37WZ16US](#) [NLU1G07MUTCG](#) [NLU2G07MUTCG](#)  
[NLX3G17BMX1TCG](#)