

# Low-Noise, Very Low Drift, Precision Voltage Reference

## 1 FEATURES

- **Low Temperature Drift: 20 ppm/°C(Max)**
- **High Accuracy: 0.1% Maximum**
- **Low Noise: 35µV<sub>PP/V</sub>**
- **Low I<sub>Q</sub>: 150µA (Typical)**
- **Operating Temperature Range: -40°C to +125°C**
- **High Output Current: ±10 mA**
- **Micro SIZE PACKAGES: SOIC-8(SOP8), SOT23**

## 2 APPLICATIONS

- **Precision Data Acquisition Systems**
- **Semiconductor Test Equipment**
- **Medical Instrumentation**
- **Industrial Process Controls**
- **Pressure and Temperature Transmitters**
- **Lab and Field Instrumentation**

## 3 DESCRIPTIONS

The RS3112 is a family of low-noise, low-drift, very high precision voltage references. These references are capable of both sinking and sourcing current, and have excellent line and load regulation.

Excellent temperature drift (20ppm/°C) and high accuracy (0.1%) are achieved using proprietary design techniques with 150uA(typical) quiescent current. These features, combined with low noise, make the RS3112 family ideal for use in high-precision data acquisition systems.

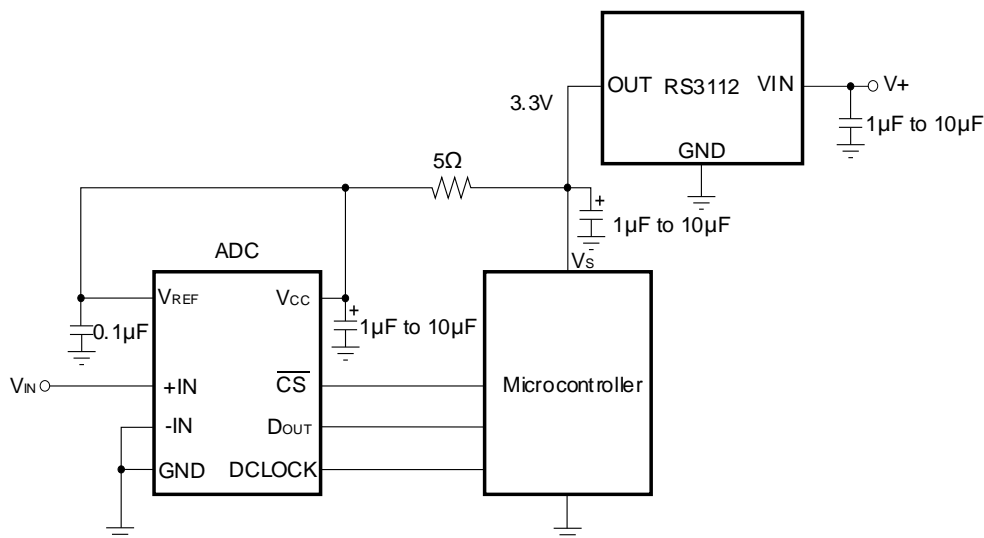
The RS3112 is available in Green SOIC-8(SOP8) and SOT23 packages. It operates over an ambient temperature range of -40°C to +125°C.

### Device Information (1)

PART NUMBER	PACKAGE	BODY SIZE(NOM)
RS3112	SOIC-8(SOP8)	4.90mm x 3.90mm
	SOT23	1.30mmx2.90mm

(1) For all available packages, see the orderable addendum at the end of the data sheet.

## 4 TYPICAL APPLICATION



## Table of Contents

<b>1 FEATURES</b> .....	1
<b>2 APPLICATIONS</b> .....	1
<b>3 DESCRIPTIONS</b> .....	1
<b>4 TYPICAL APPLICATION</b> .....	1
<b>5 Revision History</b> .....	3
<b>6 PACKAGE/ORDERING INFORMATION</b> .....	4
<b>7 Pin configuration and Functions (Top View)</b> .....	5
<b>8 SPECIFICATIONS</b> .....	6
8.1 Absolute Maximum Ratings .....	6
8.2 ESD Ratings.....	6
8.3 Recommended Operating Conditions.....	6
8.4 ELECTRICAL CHARACTERISTICS.....	7
8.5 TYPICAL CHARACTERISTICS .....	8
<b>9 Detailed Description</b> .....	11
9.1 Overview .....	11
9.2 Functional Block Diagram .....	11
<b>10 Feature Description</b> .....	12
10.1 Temperature Drift.....	12
10.2 Thermal Hysteresis .....	12
10.3 Noise Performance .....	12
10.4 Long-Term Stability .....	12
<b>11 Device Functional Modes</b> .....	13
11.1 Basic Connections .....	13
11.2 Supply Voltage.....	13
11.3 Negative Reference Voltage.....	13
<b>12 Layout</b> .....	14
12.1 Layout Guidelines .....	14
12.2 Layout Example .....	14
12.3 Power Dissipation .....	14
<b>13 PACKAGE OUTLINE DIMENSIONS</b> .....	15
<b>14 TAPE AND REEL INFORMATION</b> .....	17

## 5 Revision History

Note: Page numbers for previous revisions may differ from page numbers in the current version.

VERSION	Change Date	Change Item
A.0	2021/11/18	Preview version completed
A.1	2022/02/22	1.Add Functional Block Diagram 2.Add Detailed Description 3.Add SOT23 package
A.2	2023/01/04	1.Update FEATURES and DESCRIPTIONS on Page 1@RevA.1 2.Update ELECTRICAL CHARACTERISTICS on Page 6@RevA.1

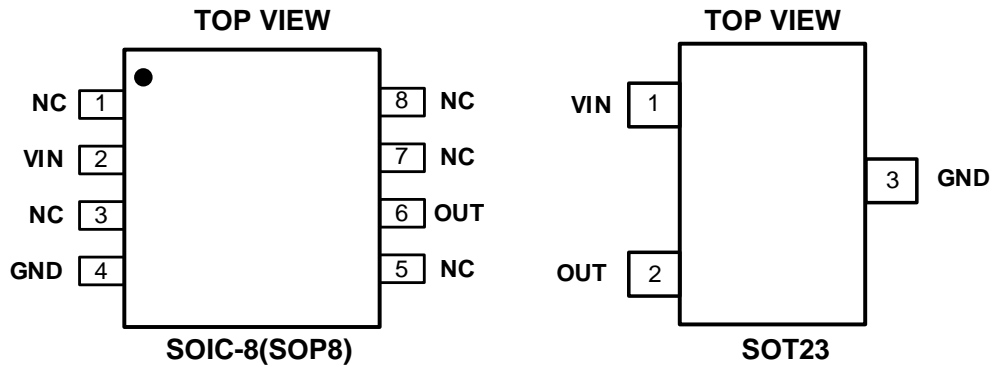
**6 PACKAGE/ORDERING INFORMATION <sup>(1)</sup>**

PRODUCT	ORDERING NUMBER	TEMPERATURE RANGE	PACKAGE LEAD	PACKAGE MARKING <sup>(2/3)</sup>	PACKAGE OPTION
RS3112	RS3112-1.25XK	-40°C ~+125°C	SOP8	RS3112A	Tape and Reel,4000
	RS3112-1.8XK	-40°C ~+125°C	SOP8	RS3112B	Tape and Reel,4000
	RS3112-2.048XK	-40°C ~+125°C	SOP8	RS3112C	Tape and Reel,4000
	RS3112-2.5XK	-40°C ~+125°C	SOP8	RS3112D	Tape and Reel,4000
	RS3112-3.0XK	-40°C ~+125°C	SOP8	RS3112E	Tape and Reel,4000
	RS3112-3.3XK	-40°C ~+125°C	SOP8	RS3112F	Tape and Reel,4000
	RS3112-4.096XK	-40°C ~+125°C	SOP8	RS3112G	Tape and Reel,4000
	RS3112-4.5XK	-40°C ~+125°C	SOP8	RS3112H	Tape and Reel,4000
	RS3112-1.25XSF3	-40°C ~+125°C	SOT23	3112A	Tape and Reel,3000
	RS3112-1.8XSF3	-40°C ~+125°C	SOT23	3112B	Tape and Reel,3000
	RS3112-2.048XSF3	-40°C ~+125°C	SOT23	3112C	Tape and Reel,3000
	RS3112-2.5XSF3	-40°C ~+125°C	SOT23	3112D	Tape and Reel,3000
	RS3112-3.0XSF3	-40°C ~+125°C	SOT23	3112E	Tape and Reel,3000
	RS3112-3.3XSF3	-40°C ~+125°C	SOT23	3112F	Tape and Reel,3000
	RS3112-4.096XSF3	-40°C ~+125°C	SOT23	3112G	Tape and Reel,3000
	RS3112-4.5XSF3	-40°C ~+125°C	SOT23	3112H	Tape and Reel,3000

**NOTE:**

- (1) This information is the most current data available for the designated devices. This data is subject to change without notice and revision of this document. For browser-based versions of this data sheet, refer to the right-hand navigation.
- (2) There may be additional marking, which relates to the lot trace code information(data code and vendor code), the logo or the environmental category on the device.
- (3) A, B, C, D, E, F, G, H represents different Reset Thresholds.

## 7 Pin configuration and Functions (Top View)



### Pin Description

NAME	PIN		I/O <sup>(1)</sup>	DESCRIPTION
	SOIC-8(SOP8)	SOT23		
NC <sup>(2)</sup>	1,3,5,7,8	—	—	No internal connection
VIN	2	1	I	Input supply voltage
GND	4	3	—	Ground
OUT	6	2	O	Reference output voltage

(1) I = Input, O = Output.

(2) There is no internal connection. Typically, GND is the recommended connection to a heat spreading plane.

## 8 SPECIFICATIONS

### 8.1 Absolute Maximum Ratings

over operating free-air temperature range (unless otherwise noted) <sup>(1)(2)</sup>

SYMBOL		MIN	MAX	UNIT
V <sub>IN</sub>	Supply voltage, V+ to V-	-0.2	5.5	V
	Output short circuit	-30	30	mA
θ <sub>JA</sub>	Package thermal impedance <sup>(3)</sup>	SOT23		292.9
		SOIC-8(SOP8)		110.88
T <sub>A</sub>	Operating temperature	-40	+125	°C
T <sub>J</sub>	Junction temperature <sup>(4)</sup>	-40	150	
T <sub>stg</sub>	Storage temperature	-65	150	

(1) Stresses beyond those listed under *Absolute Maximum Ratings* may cause permanent damage to the device. These are stress ratings only, and functional operation of the device at these or any other conditions beyond those indicated under *Recommended Operating Conditions* is not implied. Exposure to absolute-maximum-rated conditions for extended periods may affect device reliability.

(2) All voltages are with respect to the GND pin.

(3) The package thermal impedance is calculated in accordance with JESD-51.

(4) The maximum power dissipation is a function of T<sub>J(MAX)</sub>, R<sub>θJA</sub>, and T<sub>A</sub>. The maximum allowable power dissipation at any ambient temperature is P<sub>D</sub> = (T<sub>J(MAX)</sub> - T<sub>A</sub>) / R<sub>θJA</sub>. All numbers apply for packages soldered directly onto a PCB.

### 8.2 ESD Ratings

The following ESD information is provided for handling of ESD-sensitive devices in an ESD protected area only.

		VALUE	UNIT
V <sub>(ESD)</sub> Electrostatic discharge	Human-Body Model (HBM), per ANSI/ESDA/JEDEC JS-001 <sup>(1)</sup>	±4000	V
	Charged-Device Model (CDM), per ANSI/ESDA/JEDEC JS-002 <sup>(2)</sup>	±1500	V
	Machine Model (MM)	±400	V

(1) JEDEC document JEP155 states that 500 V HBM allows safe manufacturing with a standard ESD control process.

(2) JEDEC document JEP157 states that 250 V CDM allows safe manufacturing with a standard ESD control process.



#### ESD SENSITIVITY CAUTION

ESD damage can range from subtle performance degradation to complete device failure. Precision integrated circuits may be more susceptible to damage because very small parametric changes could cause the device not to meet its published specifications.

### 8.3 Recommended Operating Conditions

over operating free-air temperature range (unless otherwise noted)

SYMBOL	PARAMETER	MIN	MAX	UNIT
V <sub>IN</sub>	Input voltage	V <sub>OUT</sub> +0.3 <sup>(1)</sup>	5	V
I <sub>Load</sub>	Load current	-10	10	mA

(1) Except for the RS3112-1.25/1.8/2.048, where V<sub>IN</sub>(min) = 2.45 V.

## 8.4 ELECTRICAL CHARACTERISTICS

At  $T_A = 25^\circ\text{C}$ ,  $I_{\text{OUT}} = 0 \text{ mA}$ , and  $V_{\text{IN}} = 5 \text{ V}$  (unless otherwise noted)

PARAMETER		TEST CONDITIONS	MIN	TYP	MAX	UNIT
Output Voltage	$V_{\text{OUT}}$	RS3112-1.25V		1.25		V
		RS3112-1.8V		1.8		
		RS3112-2.048V		2.048		
		RS3112-2.5V		2.5		
		RS3112-3.0V		3.0		
		RS3112-3.3V		3.3		
		RS3112-4.096V		4.096		
		RS3112-4.5V		4.5		
Initial Accuracy		All voltage options <sup>(1)</sup>	-0.1		0.1	%
Output Voltage Noise		$f = 0.1\text{Hz to } 10\text{Hz}$		35		$\mu\text{V}_{\text{PP}}/\text{V}$
Output Voltage Temperature Drift <sup>(2)</sup>	$dV_{\text{OUT}}/dT$	$T_A = -40^\circ\text{C to } +125^\circ\text{C}$		4	20	ppm/ $^\circ\text{C}$
Long-Term Stability		0 to 1000 hours		100		ppm
Line Regulation		$V_{\text{IN}} = (V_{\text{OUT}} + 0.3) \text{ to } 5.5 \text{ V}$		40	65	ppm/V
		$V_{\text{IN}} = (V_{\text{OUT}} + 0.3) \text{ to } 5.5 \text{ V}$ $T_A = -40^\circ\text{C to } +125^\circ\text{C}$			150	
Load Regulation	$dV_{\text{OUT}}/dI_{\text{LOAD}}$	$-10 \text{ mA} < I_{\text{LOAD}} < 10 \text{ mA}$ , $V_{\text{IN}} = V_{\text{OUT}} + 0.3 \text{ V}$ <sup>(3)</sup>		3	10	ppm/mA
		$-10 \text{ mA} < I_{\text{LOAD}} < 10 \text{ mA}$ , $V_{\text{IN}} = V_{\text{OUT}} + 0.3 \text{ V}$ $T_A = -40^\circ\text{C to } 125^\circ\text{C}$ <sup>(3)</sup>			30	
Thermal Hysteresis	$dT$	First Cycle		100		ppm
Short-Circuit Current	$I_{\text{SC}}$	Sourcing		30		mA
		Sinking		25		
Turn on Settling Time		To 0.1% with $C_L = 1\mu\text{F}$		200		$\mu\text{s}$
Capacitive Load			1		50	$\mu\text{F}$
Voltage	$V_{\text{IN}}$	$I_{\text{LOAD}} = 0$ , $T_A = -40^\circ\text{C to } +125^\circ\text{C}$ .	$V_{\text{OUT}} + 0.3$ <sup>(1)</sup>		5.5	V
Quiescent Current	$I_{\text{Q}}$	$I_{\text{LOAD}} = 0$ , $T_A = 25^\circ\text{C}$		150	180	$\mu\text{A}$
		$I_{\text{LOAD}} = 0$ , $T_A = -40^\circ\text{C to } +125^\circ\text{C}$			220	

(1) Minimum supply voltage for the RS3112 is 2.45 V.

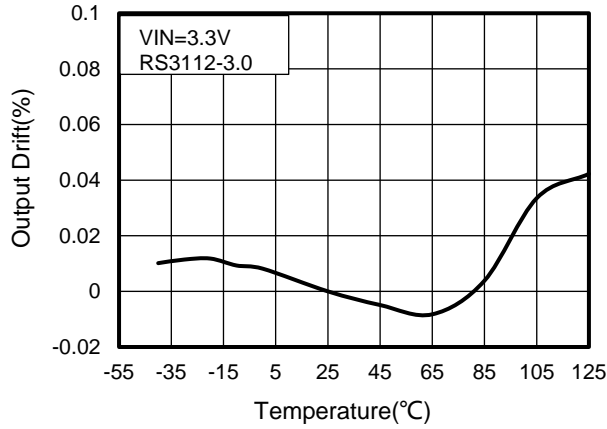
(2) Box Method used to determine temperature drift.

(3) Typical value of load regulation reflects measurements using force and sense contacts;

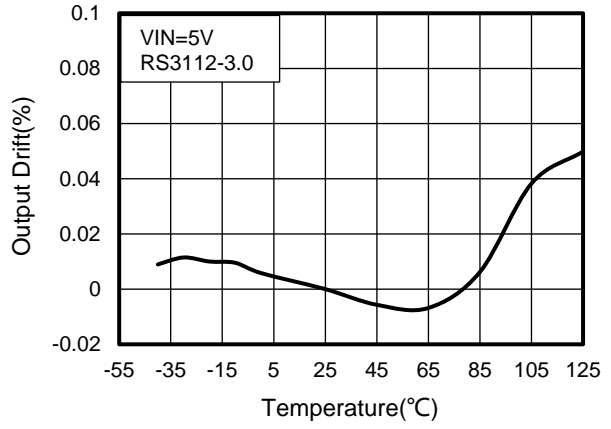
## 8.5 TYPICAL CHARACTERISTICS

NOTE: The graphs and tables provided following this note are a statistical summary based on a limited number of samples and are provided for informational purposes only.

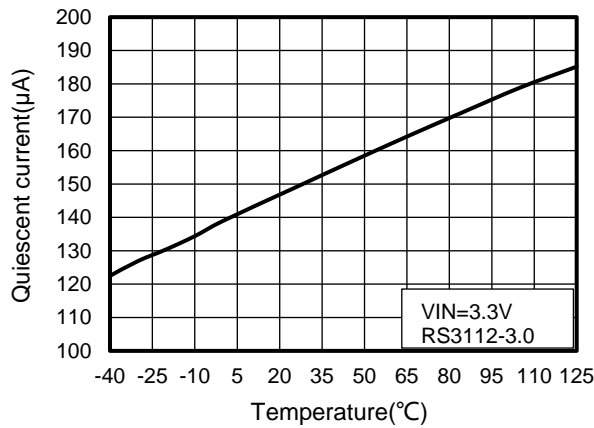
At  $T_A = 25^\circ\text{C}$ ,  $V_{IN} = 5\text{V}$  power supply, and RS3112 is used for typical characteristic measurements, unless otherwise noted.



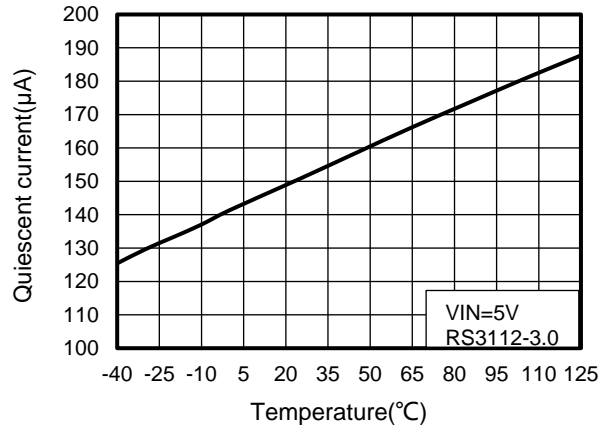
**Figure 1. Output Voltage vs Temperature**



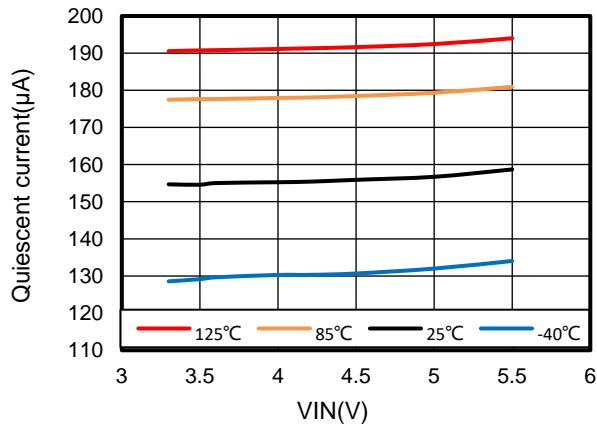
**Figure 2. Output Voltage vs Temperature**



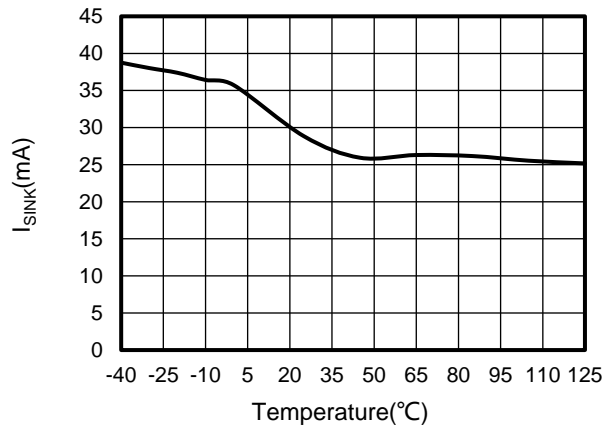
**Figure 3. Quiescent current vs Temperature**



**Figure 4. Quiescent current vs Temperature**



**Figure 5. Quiescent current vs Supply Voltage**



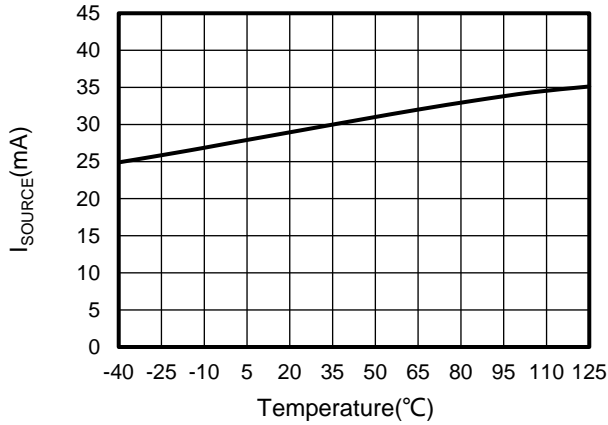
**Figure 6. Sink current vs Temperature**



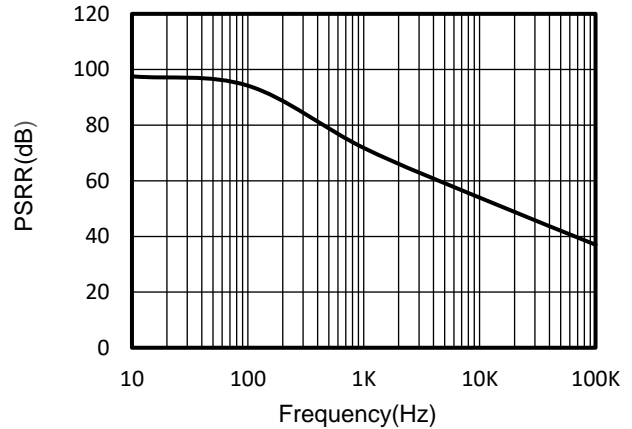
## TYPICAL CHARACTERISTICS

NOTE: The graphs and tables provided following this note are a statistical summary based on a limited number of samples and are provided for informational purposes only.

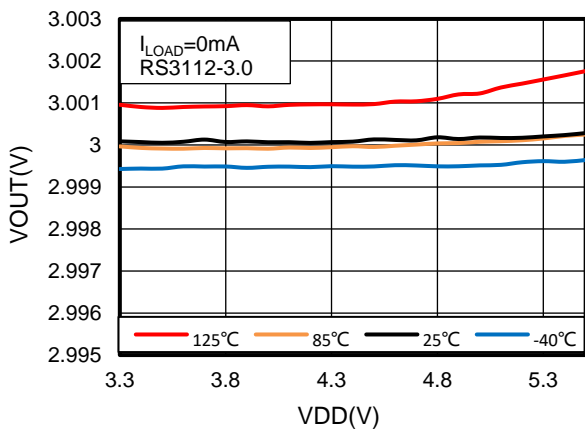
At  $T_A = 25^\circ\text{C}$ ,  $V_{IN} = 5\text{V}$  power supply, and RS3112 is used for typical characteristic measurements, unless otherwise noted.



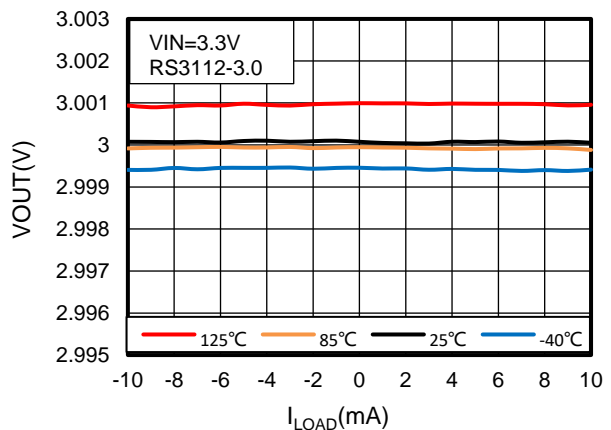
**Figure 7. Source current vs Temperature**



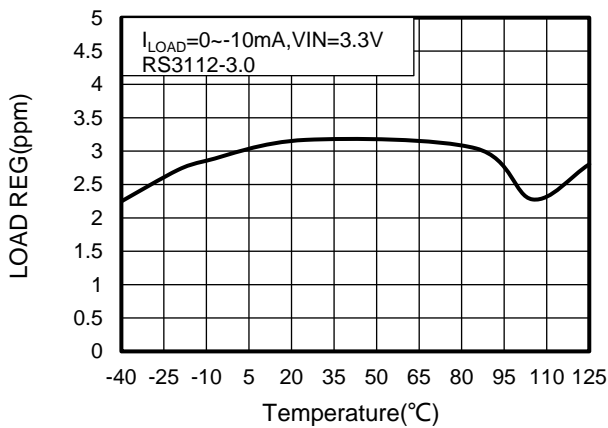
**Figure 8. PSRR vs Frequency**



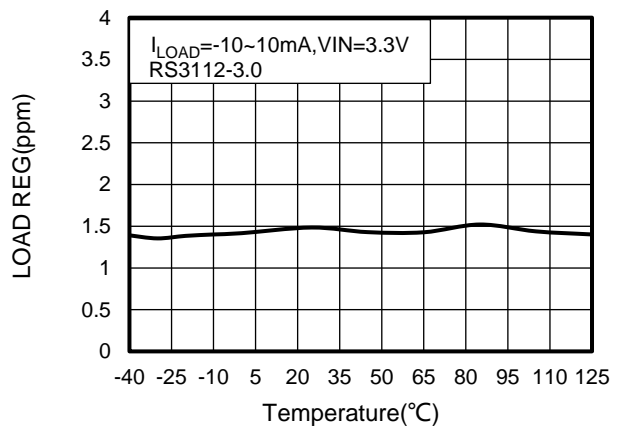
**Figure 9. Output Voltage vs Supply Voltage**



**Figure 10. Output Voltage vs Output Current**



**Figure 11. Load Regulation vs Temperature**



**Figure 12. Load Regulation vs Temperature**

## TYPICAL CHARACTERISTICS

NOTE: The graphs and tables provided following this note are a statistical summary based on a limited number of samples and are provided for informational purposes only.

At  $T_A = 25^\circ\text{C}$ ,  $V_{IN} = 5\text{V}$  power supply, and RS3112 is used for typical characteristic measurements, unless otherwise noted.

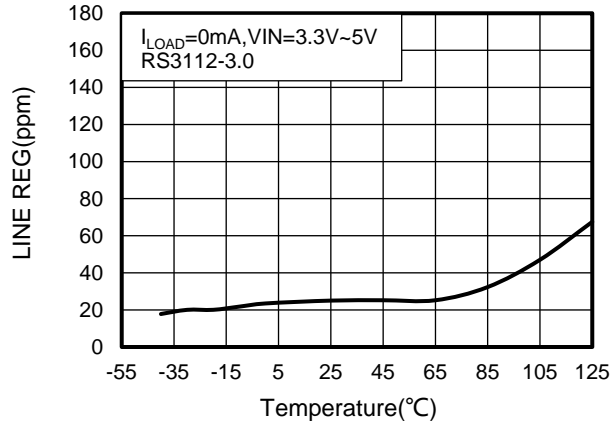


Figure 13. LINE Regulation vs Temperature

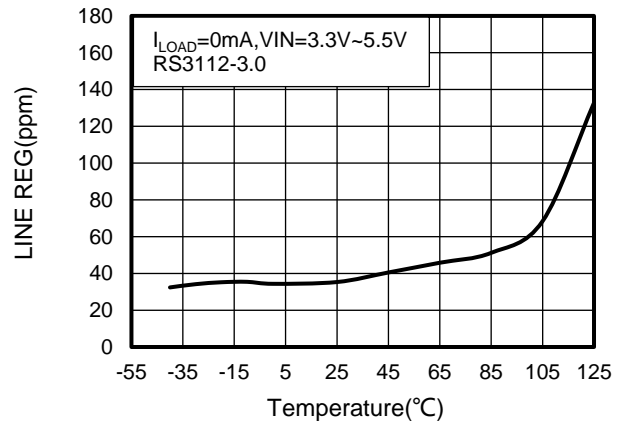


Figure 14. LINE Regulation vs Temperature

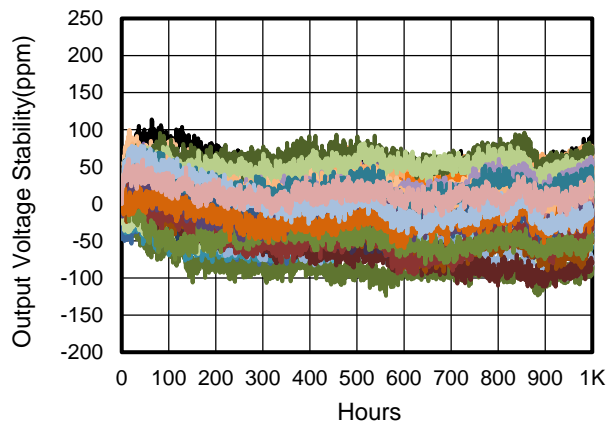


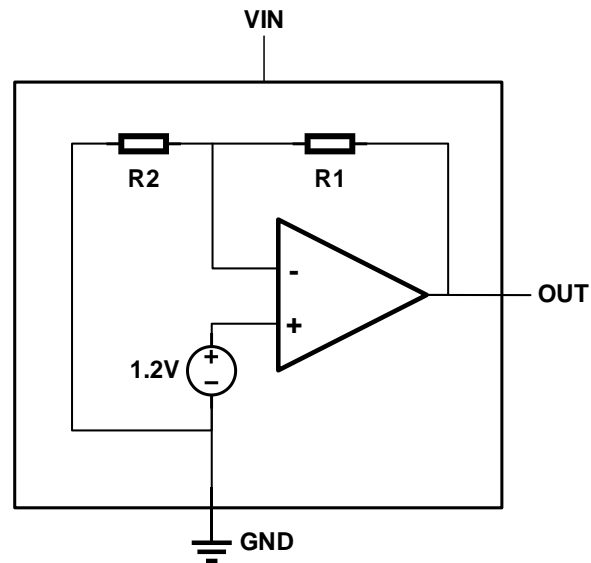
Figure 15. Long-Term Stability (0-1000 Hours)

## 9 Detailed Description

### 9.1 Overview

The RS3112 is family of precision bandgap voltage references that are specifically designed for excellent initial voltage accuracy and drift. See the Functional Block Diagram for a simplified block diagram of the RS3112.

### 9.2 Functional Block Diagram



## 10 Feature Description

### 10.1 Temperature Drift

The RS3112 is designed for minimal drift error, which is defined as the change in output voltage over temperature. The drift is calculated using the box method, as described in Equation 1.

$$\text{Drift} = \left( \frac{V_{\text{OUTMAX}} - V_{\text{OUTMIN}}}{V_{\text{OUT}} \times \text{Temp Range}} \right) \times 10^6 (\text{ppm}) \quad (1)$$

The RS3112 features a maximum drift coefficient of 20 ppm/°C.

### 10.2 Thermal Hysteresis

Thermal hysteresis for the RS3112 is defined as the change in output voltage after operating the device at 25°C, cycling the device through the specified temperature range, and returning to 25°C. Thermal hysteresis can be expressed as Equation 2:

$$V_{\text{HYST}} = \left( \frac{|V_{\text{PRE}} - V_{\text{POST}}|}{V_{\text{NOM}}} \right) \cdot 10^6 (\text{ppm})$$

where

- $V_{\text{HYST}}$  = thermal hysteresis (in units of ppm).
- $V_{\text{NOM}}$  = the specified output voltage.
- $V_{\text{PRE}}$  = output voltage measured at 25°C pretemperature cycling.
- $V_{\text{POST}}$  = output voltage measured after the device has been cycled from 25°C through the specified temperature range of –40°C to 125°C and returned to 25°C. (2)

### 10.3 Noise Performance

Typical 0.1Hz to 10Hz voltage noise for each member of the RS3112 family is specified in the Electrical Characteristics table. The noise voltage increases with output voltage and operating temperature. Additional filtering can be used to improve output noise levels, although take care to ensure the output impedance does not degrade performance.

### 10.4 Long-Term Stability

Due to aging and environmental effects, all semiconductor devices experience physical changes of the semiconductor die and the packaging material over time. These changes and the associated package stress on the die cause the output voltage in precision voltage references to deviate over time. The value of such change is specified on the datasheet by a parameter called the Long-term stability (also known as the Long-Term Drift (LTD)). Equation 3 shows how LTD is calculated. Note that the LTD value will be positive if the output voltage drifts higher over time, negative if the voltage drifts lower over time.

$$\text{LTD}(\text{ppm})|_{t=n} = \frac{(V_{\text{OUT}}|_{t=0} - V_{\text{OUT}}|_{t=n})}{V_{\text{OUT}}|_{t=0}} \times 10^6$$

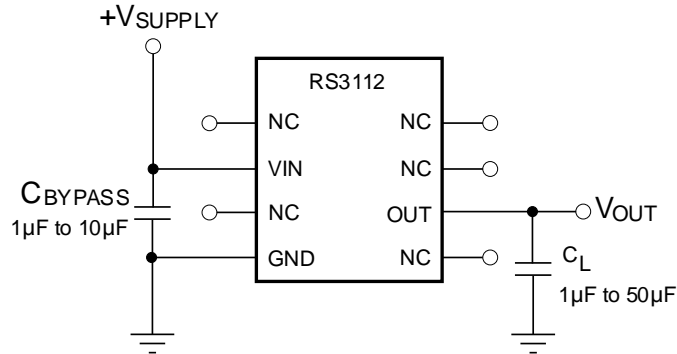
where

- $\text{LTD}(\text{ppm})|_{t=n}$  = Long-term stability (in units of ppm).
- $V_{\text{OUT}}|_{t=0}$  = Output voltage at time = 0 hr.
- $V_{\text{OUT}}|_{t=n}$  = Output voltage at time = n hr. (3)

## 11 Device Functional Modes

### 11.1 Basic Connections

Figure 16 shows the typical connections for the RS3112. RUNIC recommends a supply bypass capacitor ranging from 1  $\mu\text{F}$  to 10  $\mu\text{F}$ . A minimum 1  $\mu\text{F}$  output capacitor ( $C_L$ ) must be connected from  $V_{OUT}$  to GND.



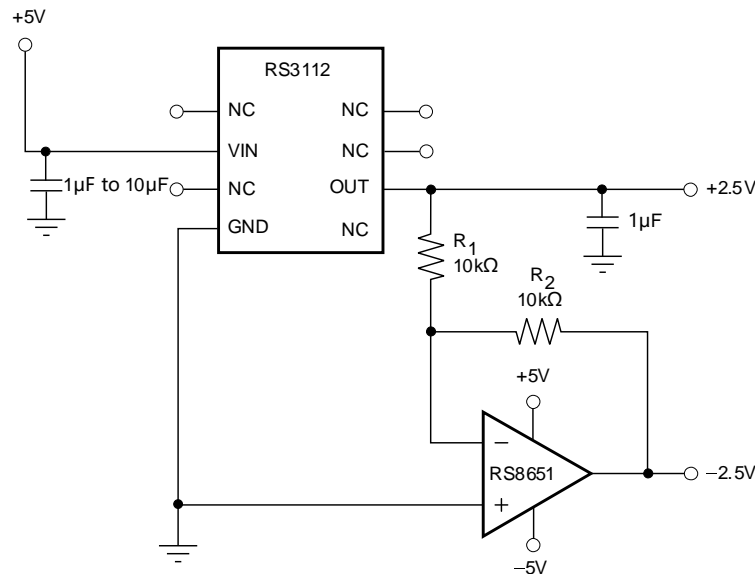
**Figure 16. Basic Connections**

### 11.2 Supply Voltage

The RS3112 family of voltage references features extremely low dropout voltage. With the exception of the  $V_{OUT} < 2.5\text{V}$ , which has a minimum supply requirement of 2.45 V, these references can be operated with a supply of 300 mV more than the output voltage in an unloaded condition.

### 11.3 Negative Reference Voltage

For applications requiring a negative and positive reference voltage, the RS3112 and RS8651 can be used to provide a dual-supply reference from a 5V supply. Figure 17 shows the RS3112 used to provide a 2.5V supply reference voltage. The low drift performance of the RS3112 complements the low offset voltage and zero drift of the RS8651 to provide an accurate solution for split-supply applications. Take care to match the temperature coefficients of  $R_1$  and  $R_2$ .



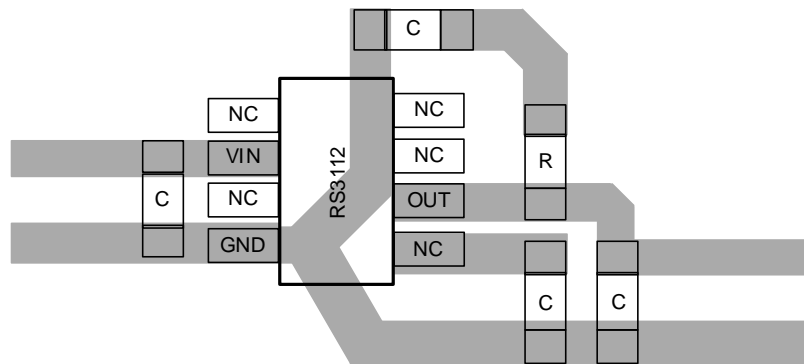
**Figure 17. The RS3112 and RS8651 Create Positive and Negative Reference Voltages**

## 12 Layout

### 12.1 Layout Guidelines

- Place the power-supply bypass capacitor as closely as possible to the supply and ground pins. The recommended value of this bypass capacitor is from 1  $\mu\text{F}$  to 10  $\mu\text{F}$ . If necessary, additional decoupling capacitance can be added to compensate for noisy or high-impedance power supplies.
- Place a 1  $\mu\text{F}$  noise filtering capacitor between the NR pin and ground.
- The output must be decoupled with a 1  $\mu\text{F}$  to 50  $\mu\text{F}$  capacitor. A resistor in series with the output capacitor is optional. For better noise performance, the recommended ESR on the output capacitor is from 1  $\Omega$  to 1.5  $\Omega$ .
- A high-frequency, 1  $\mu\text{F}$  capacitor can be added in parallel between the output and ground to filter noise and help with switching loads as data converters.

### 12.2 Layout Example



**Figure 18. Layout Example**

### 12.3 Power Dissipation

The RS3112 family is specified to deliver current loads of  $\pm 10$  mA over the specified input voltage range. The temperature of the device increases according to Equation 4:

$$T_J = T_A + P_D \times \theta_{JA}$$

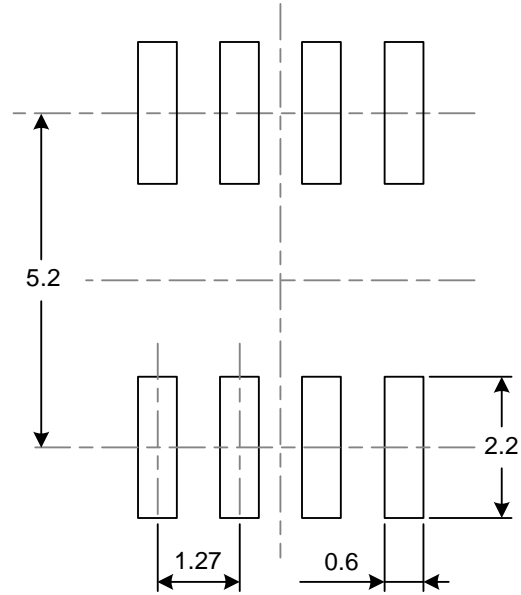
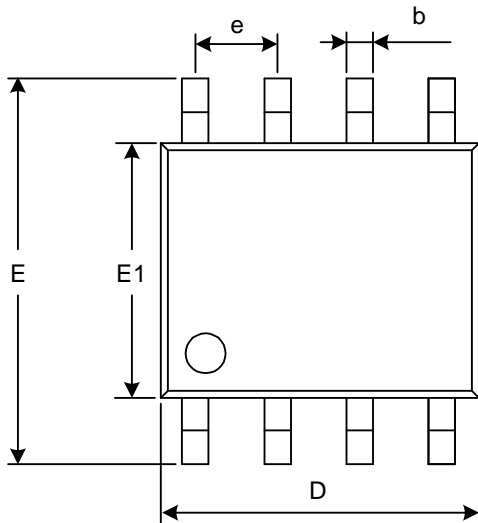
where

- $T_J$  = Junction temperature ( $^{\circ}\text{C}$ )
- $T_A$  = Ambient temperature ( $^{\circ}\text{C}$ )
- $P_D$  = Power dissipated (W)
- $\theta_{JA}$  = Junction-to-ambient thermal resistance ( $^{\circ}\text{C}/\text{W}$ )

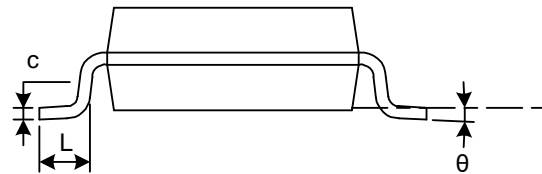
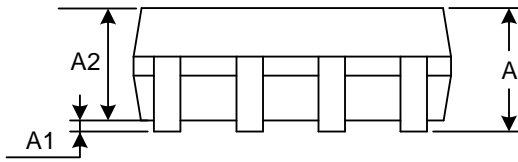
(4)

The RS3112 junction temperature must not exceed the absolute maximum rating of 150 $^{\circ}\text{C}$ .

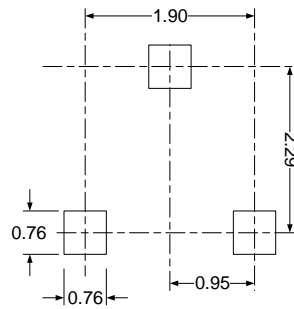
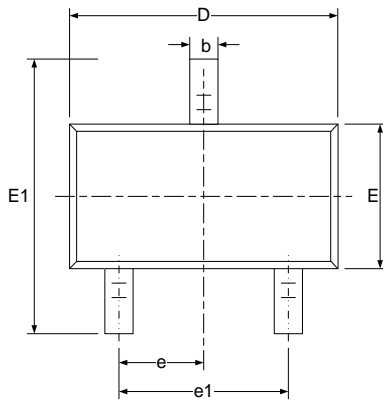
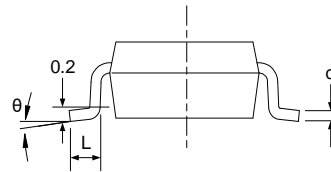
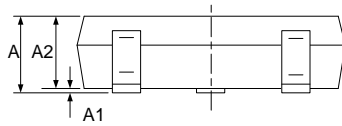
### 13 PACKAGE OUTLINE DIMENSIONS SOIC-8(SOP8)



**RECOMMENDED LAND PATTERN** (Unit: mm)



Symbol	Dimensions In Millimeters		Dimensions In Inches	
	Min	Max	Min	Max
A	1.350	1.750	0.053	0.069
A1	0.100	0.250	0.004	0.010
A2	1.350	1.550	0.053	0.061
b	0.330	0.510	0.013	0.020
c	0.170	0.250	0.007	0.010
D	4.800	5.000	0.189	0.197
e	1.270 (BSC)		0.050 (BSC)	
E	5.800	6.200	0.228	0.244
E1	3.800	4.000	0.150	0.157
L	0.400	1.270	0.016	0.050
$\theta$	0°	8°	0°	8°

**SOT23**

**RECOMMENDED LAND PATTERN (Unit: mm)**


Symbol	Dimensions In Millimeters		Dimensions In Inches	
	Min	Max	Min	Max
A	0.900	1.150	0.035	0.045
A1	0.000	0.100	0.000	0.004
A2	0.900	1.050	0.035	0.041
b	0.300	0.500	0.012	0.020
c	0.080	0.150	0.003	0.006
D	2.800	3.000	0.110	0.118
E	1.200	1.400	0.047	0.055
E1	2.250	2.550	0.089	0.100
e	0.950 (BSC)		0.037 (BSC)	
e1	1.800	2.000	0.071	0.079
L	0.300	0.500	0.012	0.020
$\theta$	0°	8°	0°	8°

**NOTE:**

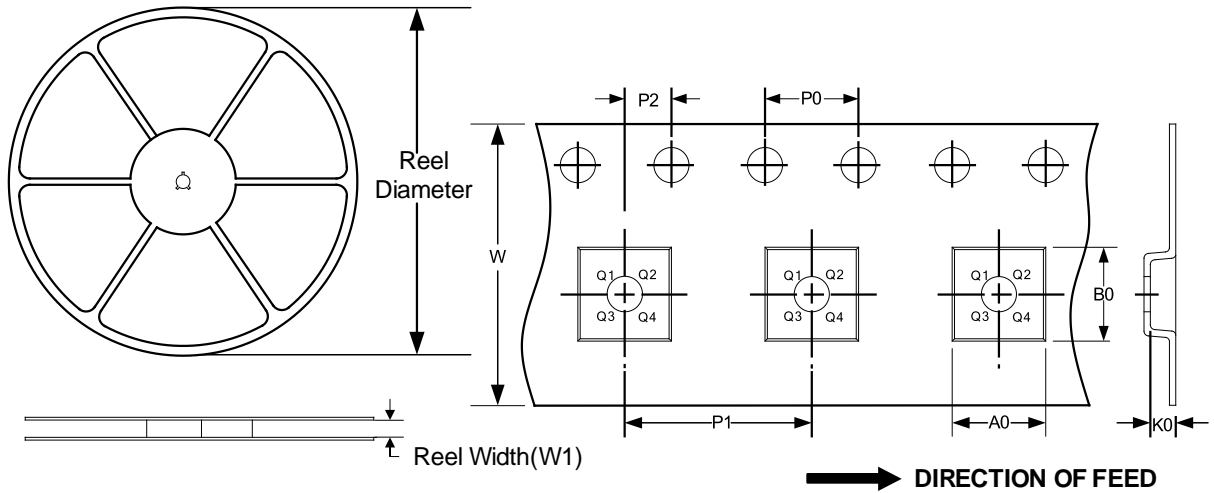
- A. All linear dimension is in millimeters.
- B. This drawing is subject to change without notice.
- C. Body dimensions do not include mold flash or protrusion. Mold flash and protrusion shall not exceed 0.15 per side.
- D. BSC: Basic Dimension. Theoretically exact value shown without tolerances.



# 14 TAPE AND REEL INFORMATION

## REEL DIMENSIONS

## TAPE DIMENSION



NOTE: The picture is only for reference. Please make the object as the standard.

### KEY PARAMETER LIST OF TAPE AND REEL

Package Type	Reel Diameter	Reel Width (mm)	A0 (mm)	B0 (mm)	K0 (mm)	P0 (mm)	P1 (mm)	P2 (mm)	W (mm)	Pin1 Quadrant
SOIC-8(SOP8)	13"	12.4	6.40	5.40	2.10	4.0	8.0	2.0	12.0	Q1
SOT23	7"	9.5	3.15	2.77	1.22	4.0	4.0	2.0	8.0	Q3

NOTE:

1. All dimensions are nominal.
2. Plastic or metal protrusions of 0.15mm maximum per side are not included.

## IMPORTANT NOTICE AND DISCLAIMER

Jiangsu Runic Technology Co., Ltd. will accurately and reliably provide technical and reliability data (including data sheets), design resources (including reference designs), application or other design advice, WEB tools, safety information and other resources, without warranty of any defect, and will not make any express or implied warranty, including but not limited to the warranty of merchantability Implied warranty that it is suitable for a specific purpose or does not infringe the intellectual property rights of any third party.

These resources are intended for skilled developers designing with Runic products You will be solely responsible for: (1) Selecting the appropriate products for your application; (2) Designing, validating and testing your application; (3) Ensuring your application meets applicable standards and any other safety, security or other requirements; (4) Runic and the Runic logo are registered trademarks of Runic Incorporated. All trademarks are the property of their respective owners; (5) For change details, review the revision history included in any revised document. The resources are subject to change without notice. Our company will not be liable for the use of this product and the infringement of patents or third-party intellectual property rights due to its use.

## X-ON Electronics

Largest Supplier of Electrical and Electronic Components

*Click to view similar products for [Voltage References](#) category:*

*Click to view products by [RUNIC](#) manufacturer:*

Other Similar products are found below :

[5962-8686103XC](#) [REF01J/883](#) [SC431ILPRAG](#) [AP432AQG-7](#) [LM4040B25QFTA](#) [EL5226IR](#) [EL5326IR](#) [EL5326IRZ](#) [ISL21007DFB825Z](#)  
[ISL21009BFB812Z](#) [ISL21009CFB812Z](#) [ISL60002BIH312](#) [TS3320AMR](#) [TS3325AMR](#) [TS3330AMR](#) [TS3333AMR](#) [X60003CIG3-41](#)  
[X60003DIG3Z-41T1](#) [X60250V8I](#) [REF3025TB-GT3](#) [SC432BVSNT1G](#) [TL431CPG](#) [LM336Z-5.0](#) [MMTL432](#) [TL431A](#) [LR432ATLT1G](#)  
[TL432](#) [TL431A](#) [TL431NSG-AE2-R](#) [TL432](#) [TL431](#) [TL431](#) [CD431A](#) [TL432](#) [LM285M3-2.5/TR](#) [TL432AIM3/TR](#) [LM431AIM3/TR](#)  
[MC1403MM/TR](#) [TL431CM3/TR](#) [HT432ARTZ](#) [TL431Z-AST](#) [LTL431APKLT1G](#) [JD431A](#) [431S](#) [TL432](#) [WD431NTR-BG](#) [CJ431](#) [CD431](#)  
[TL431A 0.4%](#) [ADR4520ARZ-R7](#)