

Supply Voltage Supervisor with Watchdog and Manual Reset

FEATURES

- Operating Voltage Range:1.0V to 5.5V
- Low Power Consumption:40μA (Max)
- Precision Supply-Voltage Monitor:
2.63V, 2.93V, 3.08V, 4.00V
- Debounced TTL/CMOS Compatible
Manual-Reset Input
- Guaranteed RESET Valid at V_{CC}=1.0V
- 200ms Reset Pulse Width
- Voltage Monitor for Power-Fail or Low-Battery Warning
- Operating Temperature Range:
-40°C to +85°C
- Available in Green Package: SOT23-5

APPLICATIONS

- Computers
- SOC 、 DSP or Micro controllers
- Embedded Systems
- Industrial Equipment
- Intelligent Instruments
- Critical μP Power Monitoring
- Wireless Communications Systems

DESCRIPTION

The RS806 microprocessor (μP) supervisory circuits reduce the complexity and number of components required to monitor power-supply and battery function in μP systems. This device significantly improves system reliability and accuracy compared to separate ICs or discrete components.

The RS806 provide four functions:

- 1) A reset output during power-up, power-down, and brownout conditions. The reset output remains operational with V_{CC} as low as 1.0V.
- 2) $\overline{\text{RESET}}$ output that goes low if the watchdog input has not been toggled within 1.6 seconds (typ).
- 3) A 1.2V threshold detector for power-fail warning, low-battery detection, or for monitoring a power supply.
- 4) An active-low manual-reset input.

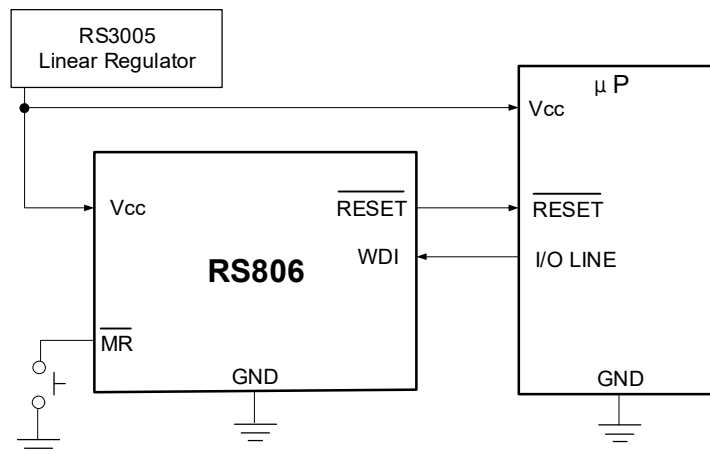
The RS806 is available in Green SOT23-5 package. It operates over an ambient temperature range of -40°C to +85°C.

Device Information ⁽¹⁾

| PART NUMBER | PACKAGE | BODY SIZE (NOM) |
|-------------|---------|-----------------|
| RS806 | SOT23-5 | 2.92mm x 1.60mm |

(1) For all available packages, see the orderable addendum at the end of the data sheet.

TYPICAL APPLICATION

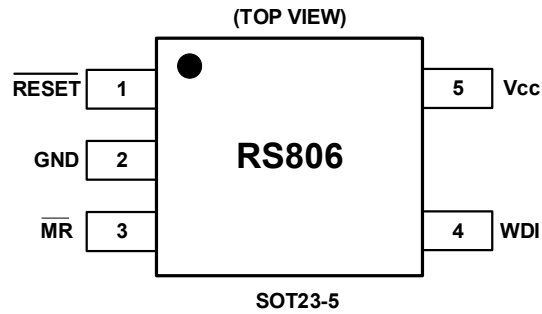


Revision History

Note: Page numbers for previous revisions may differ from page numbers in the current version.

| Version | Change Date | Change Item |
|---------|-------------|---------------------------|
| A.1 | 2021/08/09 | Initial version completed |

PIN CONFIGURATIONS



PIN DESCRIPTION

| PIN | NAME | FUNCTION |
|---------|---------------------------|--|
| SOT23-5 | | |
| 1 | $\overline{\text{RESET}}$ | Active-Low Reset Output pulses low for 200ms when triggered, and stays low whenever V_{CC} is below the reset threshold. It remains low for 200ms after V_{CC} rises above the reset threshold or $\overline{\text{MR}}$ goes from low to high. |
| 2 | GND | Ground, reference for all signals. |
| 3 | $\overline{\text{MR}}$ | Manual-Reset Input triggers a reset pulse when pulled below 0.8V. This active-low input has an internal pull-up resistance. It can be driven from a TTL or CMOS logic line as well as shorted to ground with a switch. |
| 4 | WDI | Watchdog Input. If WDI remains high or low 1.6sec, the internal watchdog timer runs out and reset goes low. Floating WDI or connecting WDI to a high-impedance three-state buffer disables the watchdog feature. The internal watchdog timer clears whenever reset is asserted, WDI is three-stated, or WDI sees a rising or falling edge. |
| 5 | V_{CC} | Power Supply Voltage that is monitored. |

Specifications

Absolute Maximum Ratings ⁽¹⁾

over operating free-air temperature range (unless otherwise noted) ⁽¹⁾⁽²⁾

| | | MIN | MAX | UNIT |
|------------------|---|-------------------|----------------------|------|
| V _{CC} | Supply voltage range | -0.5 | 6.0 | V |
| V _I | Input voltage range ⁽²⁾ | -0.5 | 6.0 | V |
| V _O | Voltage range applied to any output in the high-impedance or power-off state ⁽²⁾ | -0.5 | 6.0 | V |
| V _O | Voltage range applied to any output in the high or low state ⁽²⁾⁽³⁾ | -0.5 | V _{CC} +0.5 | V |
| I _{IK} | Input clamp current | V _I <0 | -20 | mA |
| I _{OK} | Output clamp current | V _O <0 | -20 | mA |
| I _O | Continuous output current | | ±20 | mA |
| | Continuous current through V _{CC} or GND | | ±20 | mA |
| T _J | Junction temperature | -65 | 150 | °C |
| T _{stg} | Storage temperature | -65 | 150 | °C |
| T _A | Operating temperature | -40 | 85 | °C |

(1) Stresses beyond those listed under *Absolute Maximum Ratings* may cause permanent damage to the device. These are stress ratings only, and functional operation of the device at these or any other conditions beyond those indicated under *Recommended Operating Conditions* is not implied. Exposure to absolute-maximum-rated conditions for extended periods may affect device reliability.

(2) The input and output negative-voltage ratings may be exceeded if the input and output current ratings are observed.

(3) The value of V_{CC} is provided in the *Recommended Operating Conditions table*.

ESD Ratings

| | | VALUE | UNIT | |
|--------------------|-------------------------|------------------------|-------|---|
| V _(ESD) | Electrostatic discharge | Human-body model (HBM) | ±6000 | V |
| | | Machine model (MM) | ±300 | V |

Thermal Information:

| THERMAL METRIC | | RS806 | UNIT |
|-----------------------|--|---------|------|
| | | 5PINS | |
| | | SOT23-5 | |
| R _{θJA} | Junction-to-ambient thermal resistance | 273.8 | °C/W |
| R _{θJC(top)} | Junction-to-case(top) thermal resistance | 126.8 | °C/W |
| R _{θJB} | Junction-to-board thermal resistance | 85.9 | °C/W |
| Ψ _{JT} | Junction-to-top characterization parameter | 10.9 | °C/W |
| Ψ _{JB} | Junction-to-board characterization parameter | 84.9 | °C/W |
| R _{θJC(bot)} | Junction-to-case(bottom) thermal resistance | N/A | °C/W |

PACKAGE/ORDERING INFORMATION

| PRODUCT | ORDERING NUMBER | TEMPERATURE RANGE | PACKAGE LEAD | PACKAGE MARKING ^(1/2) | PACKAGE OPTION |
|---------|-----------------|-------------------|--------------|----------------------------------|--------------------|
| RS806 | RS806-2.63YF5 | -40°C ~+85°C | SOT23-5 | RS806B | Tape and Reel,3000 |
| | RS806-2.93YF5 | -40°C ~+85°C | SOT23-5 | RS806C | Tape and Reel,3000 |
| | RS806-3.08YF5 | -40°C ~+85°C | SOT23-5 | RS806D | Tape and Reel,3000 |
| | RS806-4.00YF5 | -40°C ~+85°C | SOT23-5 | RS806E | Tape and Reel,3000 |

NOTE:

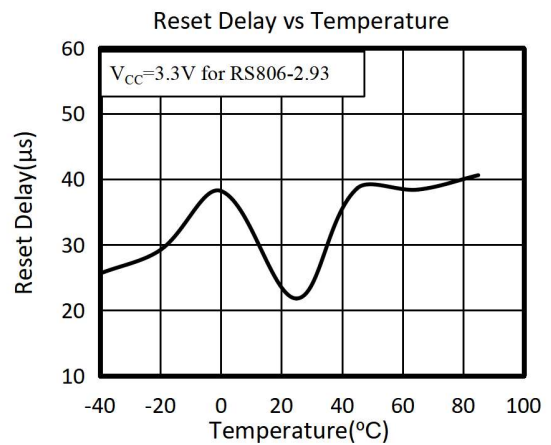
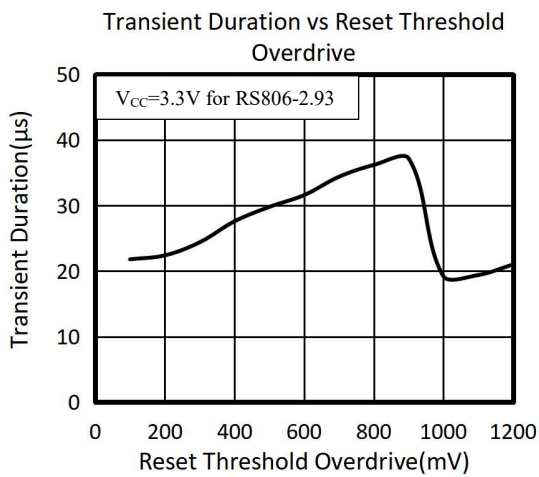
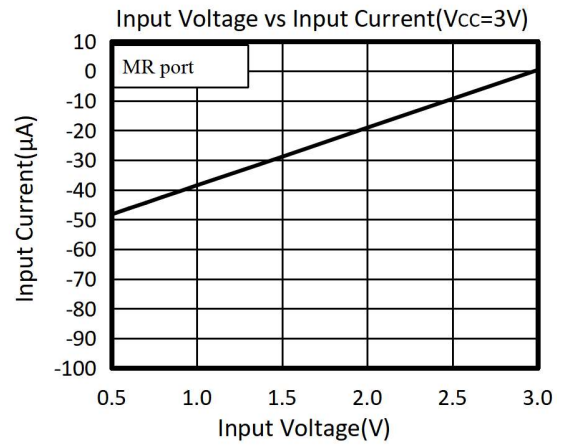
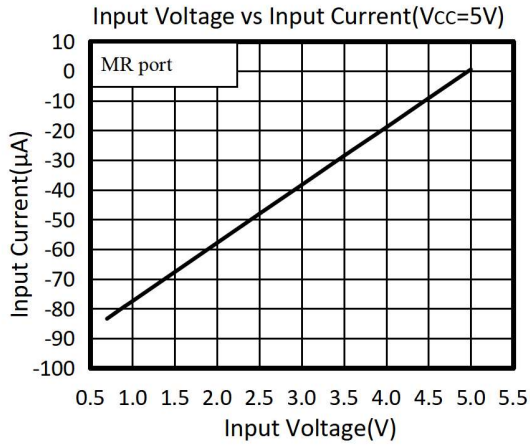
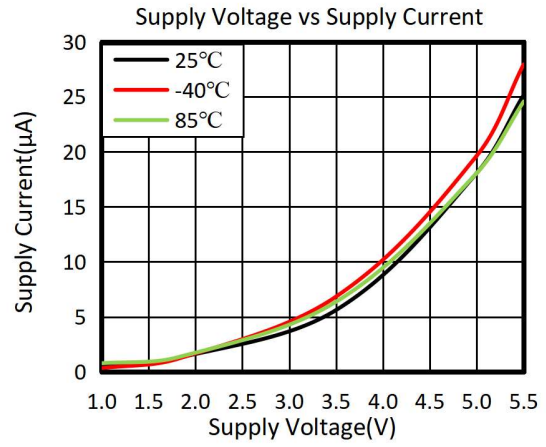
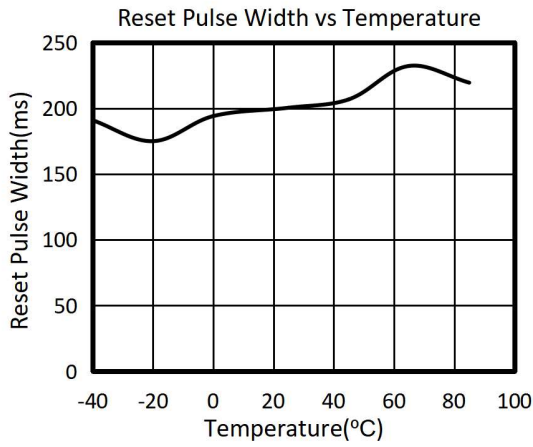
- (1) There may be additional marking, which relates to the lot trace code information(data code and vendor code), the logo or the environmental category on the device.
- (2) B,C,D,E, represents different Reset Thresholds.

ELECTRICAL CHARACTERISTICS

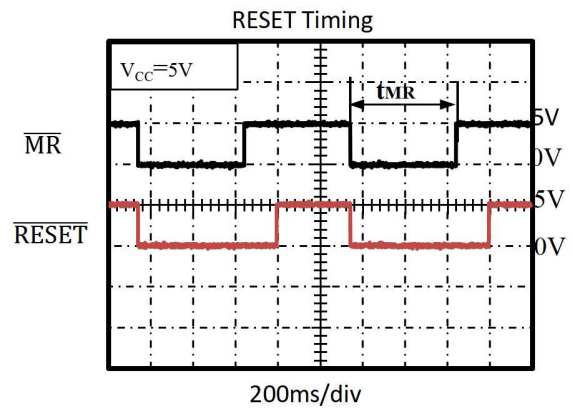
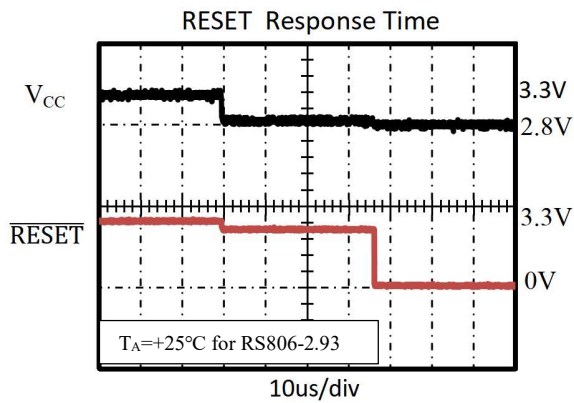
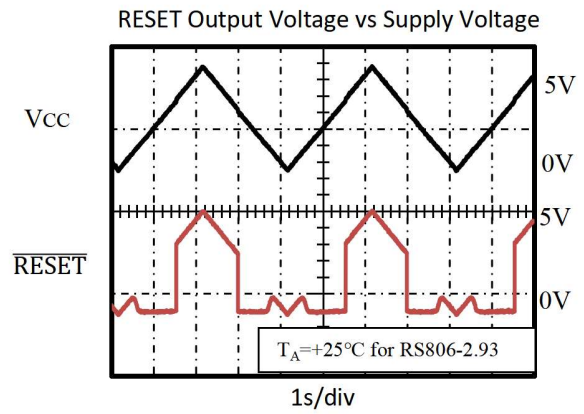
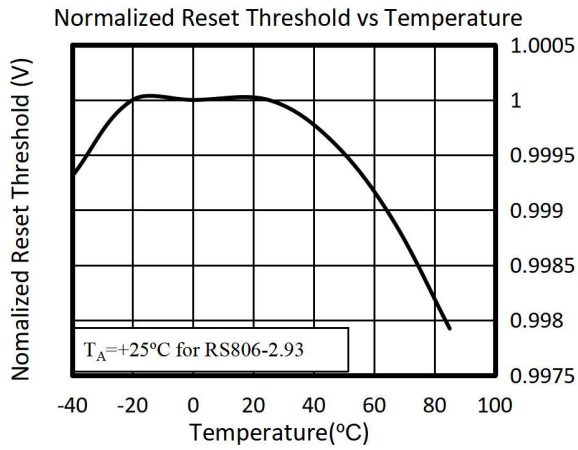
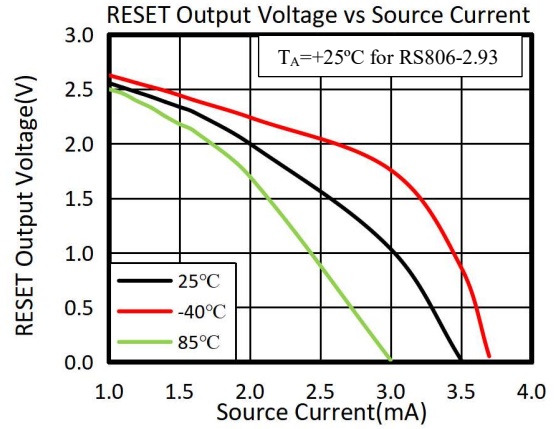
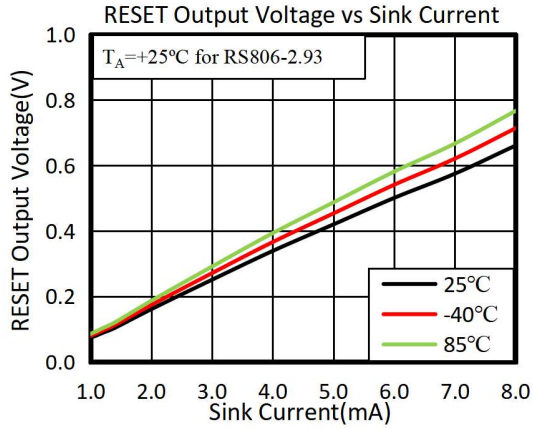
($V_{CC} = 2.7V$ to $5.5V$ for RS806-2.63; $V_{CC} = 3V$ to $5.5V$ for RS806-2.93; $V_{CC} = 3.16V$ to $5.5V$ for RS806-3.08; $V_{CC} = 4.1V$ to $5.5V$ for RS806-4.00; $T_A = -40^{\circ}C$ to $+85^{\circ}C$, unless otherwise noted, typical at $25^{\circ}C$.) ⁽¹⁾

| PARAMETER | SYMBOL | TEST CONDITIONS | MIN | TYP | MAX | UNIT |
|--------------------------------------|--------------|---------------------------------|--------------|------|---------------|------------|
| Supply Voltage | V_{CC} | | 1.0 | | 5.5 | V |
| Supply Current | I_{SUPPLY} | | | 20 | 40 | μA |
| Reset Threshold | V_{RT} | RS806-2.63 | 2.56 | 2.63 | 2.7 | V |
| | | RS806-2.93 | 2.86 | 2.93 | 3.0 | |
| | | RS806-3.08 | 3.0 | 3.08 | 3.16 | |
| | | RS806-4.00 | 3.9 | 4.0 | 4.1 | |
| Reset Threshold Hysteresis | | RS806-2.63 | | 12 | | mV |
| | | RS806-2.93 | | 14 | | |
| | | RS806-3.08 | | 15 | | |
| | | RS806-4.00 | | 20 | | |
| Reset Pulse Width | t_{RS} | | 100 | 200 | 350 | ms |
| V_{CC} to \overline{RESET} delay | t_{RD} | $V_{CC}=3.3V$, RS806-2.93 | | 30 | | μs |
| Watchdog Timeout Period | t_{WD} | | 1.0 | 1.6 | 2.9 | s |
| WDI Pulse Width | t_{WP} | $V_{IL}=0.4V$, $V_{IH}=V_{CC}$ | 16 | | | ns |
| \overline{RESET} Output voltage | High | $I_{SOURCE} = 500\mu A$ | $0.7xV_{CC}$ | | | V |
| | Low | $I_{SINK} = 1.2mA$ | | | 0.4 | |
| WDI Input Threshold | High | $V_{CC}=5.0V$ | 4.0 | | | V |
| | Low | $V_{CC}=5.0V$ | | | 0.8 | |
| | High | $V_{RST(MAX)} < V_{CC} < 3.6V$ | $0.8xV_{CC}$ | | | |
| | Low | $V_{RST(MAX)} < V_{CC} < 3.6V$ | | | 0.6 | |
| WDI Input Current | | WDI = V_{CC} | | 0.1 | 1 | μA |
| | | WDI = 0V | -1 | -0.1 | | |
| \overline{MR} Pull-Up Resistor | | | | 52 | | k Ω |
| \overline{MR} Pulse Width | t_{MR} | | | 15 | | ns |
| \overline{MR} Input Threshold | High | $V_{CC}=5.0V$ | 4.0 | | | V |
| | Low | $V_{CC}=5.0V$ | | | 0.6 | |
| | High | $V_{RST(MAX)} < V_{CC} < 3.6V$ | $0.8xV_{CC}$ | | | |
| | Low | $V_{RST(MAX)} < V_{CC} < 3.6V$ | | | $0.15xV_{CC}$ | |
| \overline{MR} to Reset Out Delay | t_{MD} | | | 23 | | ns |

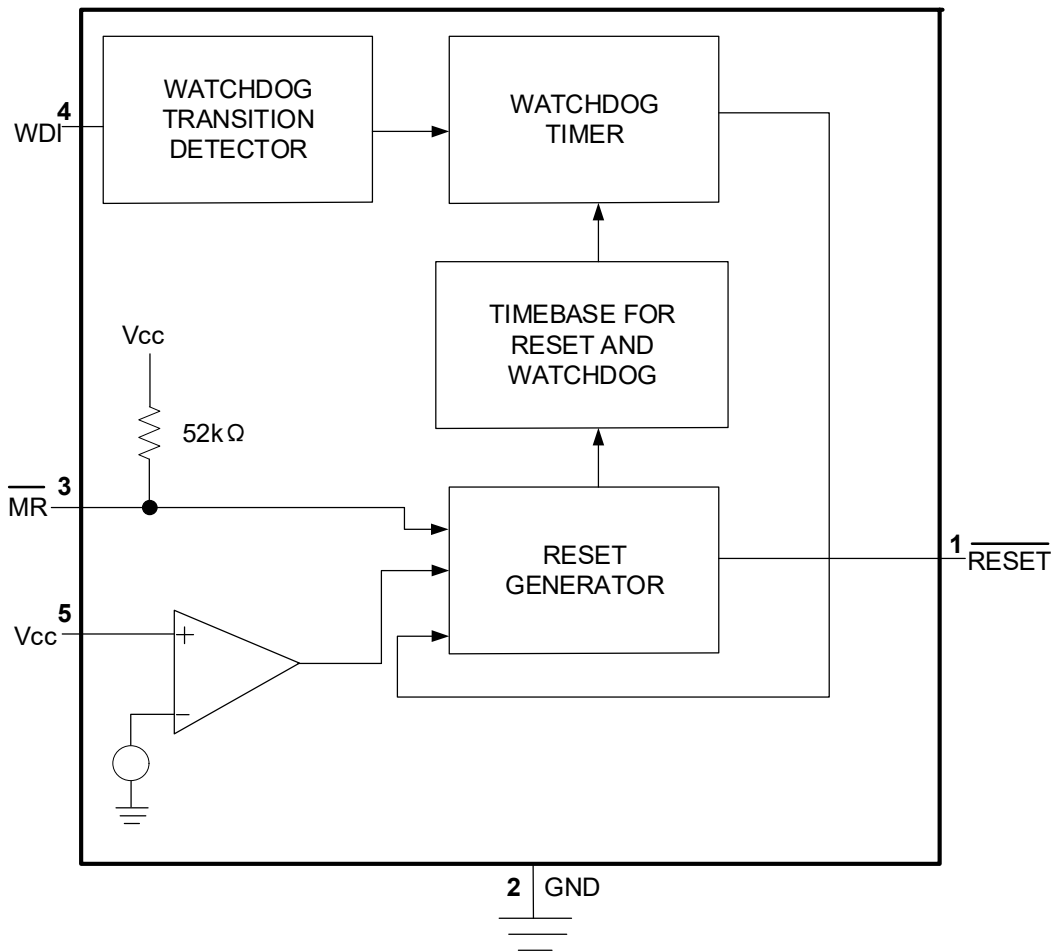
Typical Operating Characteristics



Typical Operating Characteristics



Function Block Diagram



Detailed Description

Reset Output

A microprocessor's (μP 's) reset input starts the μP in a known state. Whenever the μP is in an unknown state, it should be held in reset. The RS806 asserts reset during power-up and prevents code execution errors during power-down or brownout conditions.

On power-up, once V_{CC} reaches 1.0V, \overline{RESET} is a guaranteed logic low of 0.4V or less. As V_{CC} rises, \overline{RESET} stays low. When V_{CC} rises above the reset threshold, an internal timer releases \overline{RESET} after about 200ms. \overline{RESET} pulses low whenever V_{CC} dips below the reset threshold. If brownout occurs in the middle of a previously initiated reset pulse, the pulse continues for at least another 100ms. On power-down, once V_{CC} falls below the reset threshold, \overline{RESET} stays low and is guaranteed to be 0.4V or less until V_{CC} drops below 1.0V.

Watchdog Timer

The RS806 watchdog circuit monitors the μP 's activity. If the μP does not toggle the watchdog input (WDI) within 1.6 sec (Minimum is 1.0 sec) and WDI is not three states, \overline{RESET} goes low. As long as \overline{RESET} is asserted or the WDI input is three states, the watchdog timer stays cleared and will not count. As soon as reset is released and WDI is driven high or low, the timer starts counting. Pulses as short as 50ns can be detected.

Typically, \overline{RESET} is not connected to the non-maskable interrupt input (NMI) of a μP . When V_{CC} drops below the reset threshold, \overline{RESET} goes low whether or not the watchdog timer has timed out yet. Normally this would trigger an NMI interrupt, but \overline{RESET} goes low simultaneously, and thus overrides the NMI interrupt.

If WDI is left unconnected, $\overline{\text{RESET}}$ can be used as a low-line output. Since floating WDI disable the internal timer, $\overline{\text{RESET}}$ goes low only when V_{CC} falls below the reset threshold, thus functioning as a low-line output.

Manual Reset

The manual-reset input (\overline{MR}) allows reset to be triggered by a push-button switch. \overline{MR} is TTL/CMOS logic compatible, so it can be driven by an external logic line. \overline{MR} can be used to force a watchdog timeout to generate a reset pulse in the RS806. Simply connect \overline{RESET} to \overline{MR} .

Applications Information

Ensuring a Valid \overline{RESET} Output Down to $V_{CC}=0V$

When V_{CC} falls down below 1V, the RS806 \overline{RESET} output no longer sinks current, it becomes an open circuit. High-impedance CMOS logic inputs can drift to undetermined voltages if left un-driven. If a pull-down resistor is added to the \overline{RESET} pin, as shown in Figure 1, any stray charge or leakage currents will be drained to ground, holding \overline{RESET} low. Resistor value (R1) is not critical. It should be about 100K Ω , large enough not to load \overline{RESET} and small enough to pull \overline{RESET} to ground.

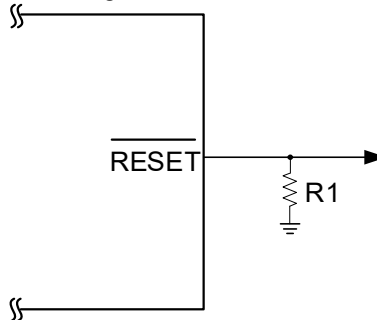


Figure 1. \overline{RESET} Valid to Ground Circuit

Interfacing to μP s with Bidirectional Reset Pins

μP s with bidirectional reset pins, can contend with the RS806 \overline{RESET} output. If, for example, the \overline{RESET} output is driven high and the μP wants to pull it low, indeterminate logic levels may result. To correct this, connect a 4.7K Ω resistor between the \overline{RESET} output and the μP reset I/O, as in Figure 2. Buffer the \overline{RESET} output to other system components.

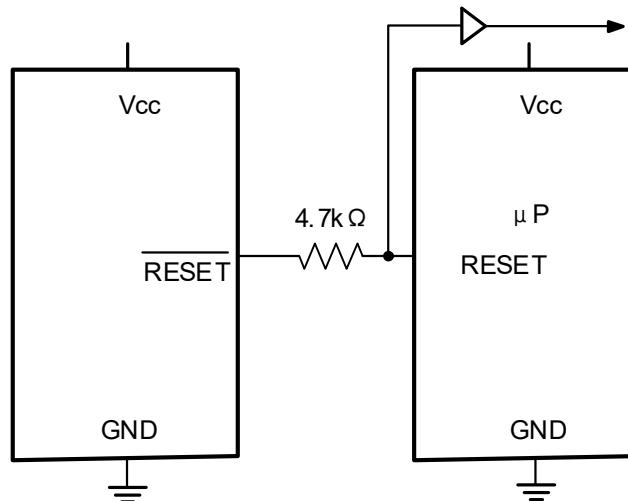
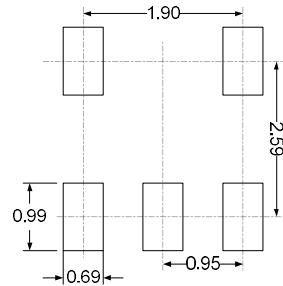
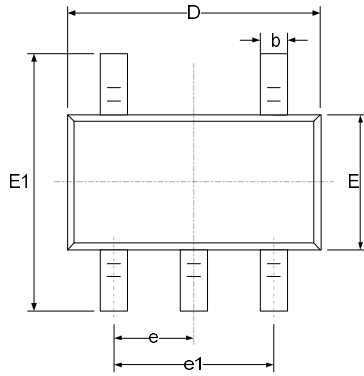
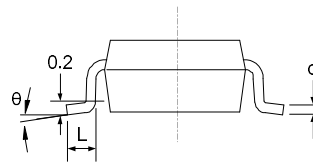
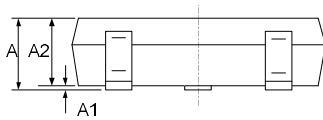


Figure2. Buffered \overline{RESET} to other system components

PACKAGE OUTLINE DIMENSIONS SOT23-5



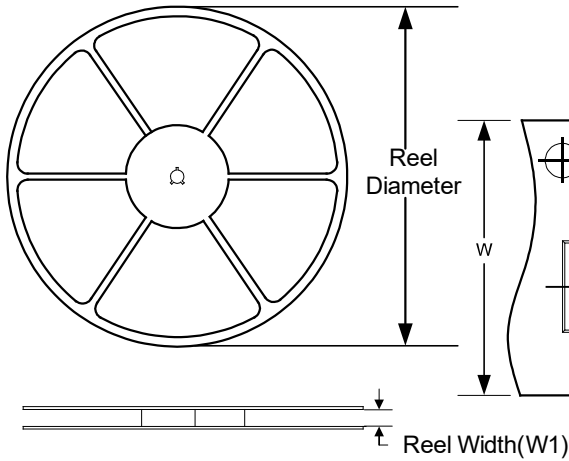
RECOMMENDED LAND PATTERN (Unit: mm)



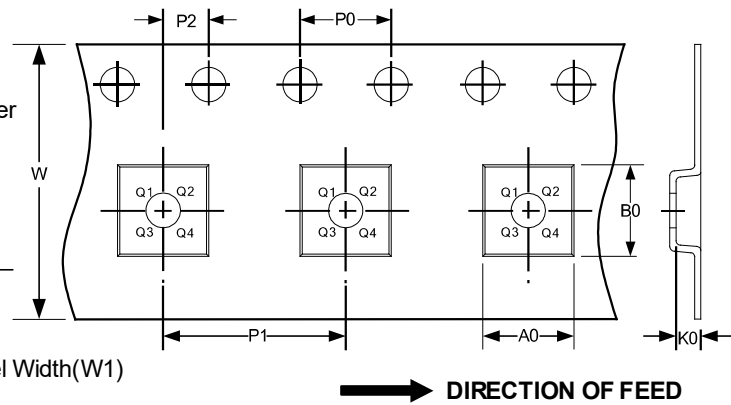
| Symbol | Dimensions In Millimeters | | Dimensions In Inches | |
|----------|---------------------------|-------|----------------------|-------|
| | Min | Max | Min | Max |
| A | 1.050 | 1.250 | 0.041 | 0.049 |
| A1 | 0.000 | 0.100 | 0.000 | 0.004 |
| A2 | 1.050 | 1.150 | 0.041 | 0.045 |
| b | 0.300 | 0.500 | 0.012 | 0.020 |
| c | 0.100 | 0.200 | 0.004 | 0.008 |
| D | 2.820 | 3.020 | 0.111 | 0.119 |
| E | 1.500 | 1.700 | 0.059 | 0.067 |
| E1 | 2.650 | 2.950 | 0.104 | 0.116 |
| e | 0.950(BSC) | | 0.037(BSC) | |
| e1 | 1.800 | 2.000 | 0.071 | 0.079 |
| L | 0.300 | 0.600 | 0.012 | 0.024 |
| θ | 0° | 8° | 0° | 8° |

TAPE AND REEL INFORMATION

REEL DIMENSIONS



TAPE DIMENSION



NOTE: The picture is only for reference. Please make the object as the standard.

KEY PARAMETER LIST OF TAPE AND REEL

| Package Type | Reel Diameter | Reel Width (mm) | A0 (mm) | B0 (mm) | K0 (mm) | P0 (mm) | P1 (mm) | P2 (mm) | W (mm) | Pin1 Quadrant |
|--------------|---------------|-----------------|---------|---------|---------|---------|---------|---------|--------|---------------|
| SOT23-5 | 7" | 9.5 | 3.20 | 3.20 | 1.40 | 4.0 | 4.0 | 2.0 | 8.0 | Q3 |

X-ON Electronics

Largest Supplier of Electrical and Electronic Components

Click to view similar products for [Supervisory Circuits](#) category:

Click to view products by [RUNIC](#) manufacturer:

Other Similar products are found below :

[CAT853STBI-T3](#) [RT9818C-27GU3](#) [DS1232L](#) [NCV302HSN45T1G](#) [STM6710FWB7F](#) [PT7M6127NLTA3EX](#) [XC6118C25AGR-G](#)
[ISL88011IH526Z-TK](#) [ISL88013IH529Z-TK](#) [ISL88705IP846Z](#) [ISL88706IP831Z](#) [ISL88708IB844Z](#) [ISL88708IP831Z](#) [TCM811MERCTR](#)
[X40420S14-A](#) [X40421S14-C](#) [X40430S14-A](#) [X40430S14I-A](#) [X40430S14I-B](#) [X40431S14-A](#) [X40431S14-B](#) [X40431S14-C](#) [X40431S14I-A](#)
[X40431S14I-B](#) [X40431S14I-C](#) [X4043P-2.7](#) [X4043PI-2.7](#) [X4043S8-2.7T1](#) [X4043S8IZ-2.7](#) [X4043S8IZT1](#) [X4043S8T1](#) [X4045P](#) [X4045PI](#)
[X4045PI-2.7](#) [X4045S8-2.7T1](#) [X4045S8IZ](#) [X4045S8T1](#) [X4163P](#) [X4163P-2.7](#) [X4163PI](#) [X4163PI-2.7](#) [X4163S8](#) [X4165P](#) [X4165P-2.7](#)
[X4165PI](#) [X4165PI-2.7](#) [X4165S8I-2.7](#) [X4283S8I](#) [X4323S8-2.7](#) [X4323S8I-2.7](#)