

High Speed, RRIO, Push-Pull Output Comparator

1 FEATURES

- High Speed, 40ns Propagation Delay
- Low Supply Current: 120 μ A(TYP) at V_{CC}=5V
- Rail-to-Rail Input and Output
- Push-Pull Outputs
- Supply Range: +2.7V to +5.5V
- -40°C to +125°C Operating Temperature
- Micro Size Packages: SOT23-5, SOT353(SC70-5)

2 APPLICATIONS

- Overvoltage and Undervoltage Detection
- Multivibrators
- Overcurrent Detection
- Line Receivers
- System Monitoring
- Battery-Powered Systems
- Sampling Circuits

3 DESCRIPTIONS

The RS8904 offers a wide supply voltage range, low quiescent current 120 μ A(Typical), high speed and rail-to-rail inputs. All these features come in industry-standard and extremely small packages, making this device an excellent choice for low-voltage and low-power applications for portable electronics and industrial systems.

Featuring a push-pull output stage, the RS8904 allows for operation with absolute minimum power consumption when driving any capacitive or resistive load.

The devices are ideal for system monitoring, include tablets, portable medical, smart phones. The RS8904 is specified at the full temperature range of -40°C to +125°C under single power supplies of 2.7V to 5.5V.

Device Information (1)

PART NUMBER	PACKAGE	BODY SIZE (NOM)
RS8904	SOT23-5(5)	1.60mm×2.92mm
	SOT353 (SC70-5)	2.10mm×1.25mm

(1) For all available packages, see the orderable addendum at the end of the data sheet.

Table of Contents

1 FEATURES	1
2 APPLICATIONS	1
3 DESCRIPTIONS	1
4 Revision History	3
5 PACKAGE/ORDERING INFORMATION ⁽¹⁾	4
6 Pin Configuration and Functions (Top View)	5
7 SPECIFICATIONS	6
7.1 Absolute Maximum Ratings	6
7.2 ESD Ratings.....	6
7.3 Recommended Operating Conditions.....	6
7.4 Thermal Information:RS8904.....	7
7.5 ELECTRICAL CHARACTERISTICS: $V_{CC}=2.7V$	8
7.6 ELECTRICAL CHARACTERISTICS: $V_{CC}=5V$	9
7.7 Timing Diagrams.....	10
7.8 TYPICAL CHARACTERISTICS.....	11
8 Detailed Description	13
8.1 Overview	13
8.2 Functional Block Diagram	13
8.3 Feature Description.....	13
8.4 Input Stage.....	13
8.5 Output Stage.....	13
8.6 Output Current	13
9 Application Information	14
9.1 External Hysteresis	14
9.2 Inverting Comparator with Hysteresis.....	14
9.3 Noninverting Comparator with Hysteresis	15
9.4 Capacitive Loads	16
10 Layout	17
10.1 Layout Guidelines	17
10.2 Layout Example	17
11 PACKAGE OUTLINE DIMENSIONS	18
12 TAPE AND REEL INFORMATION	20

4 Revision History

Note: Page numbers for previous revisions may differ from page numbers in the current version.

Version	Change Date	Change Item
A.0	2022/04/07	Initial version completed
A.1	2022/06/28	Official version completed

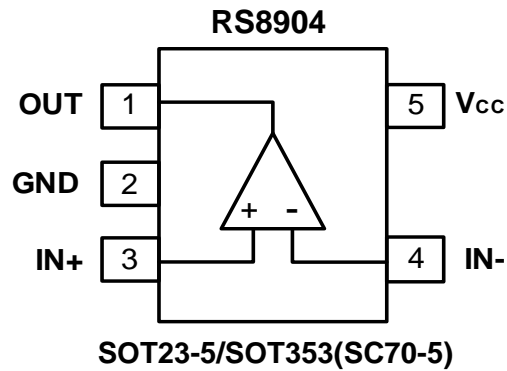
5 PACKAGE/ORDERING INFORMATION ⁽¹⁾

PRODUCT	ORDERING NUMBER	TEMPERATURE RANGE	PACKAGE LEAD	PACKAGE MARKING ⁽²⁾	PACKAGE OPTION
RS8904	RS8904XF	-40°C ~125°C	SOT23-5	8904	Tape and Reel,3000
	RS8904XC5	-40°C ~125°C	SOT353 (SC70-5)	8904	Tape and Reel,3000

NOTE:

- (1) This information is the most current data available for the designated devices. This data is subject to change without notice and revision of this document. For browser-based versions of this data sheet, refer to the right-hand navigation.
- (2) There may be additional marking, which relates to the lot trace code information(data code and vendor code), the logo or the environmental category on the device.

6 Pin Configuration and Functions (Top View)



Pin Description

NAME	PIN	I/O ⁽¹⁾	DESCRIPTION
	SOT23-5/ SOT353(SC70-5)		
OUT	1	O	Output
GND	2	-	Ground.
IN+	3	I	Positive input
IN-	4	I	Negative input
V _{CC}	5	P	Positive (highest) power supply

(1) I=Input, O=Output, P=Power

7 SPECIFICATIONS

7.1 Absolute Maximum Ratings

Over operating free-air temperature range (unless otherwise noted) ⁽¹⁾

		MIN	MAX	UNIT
Voltage	Supply voltage		7	V
	Input pin (IN+, IN-) ⁽²⁾	-0.3	(V _{CC}) +0.3	
	Signal output pin ⁽³⁾	-0.3	(V _{CC}) +0.3	
Current	Signal input pin (IN+, IN-) ⁽²⁾	-10	10	mA
	Signal output pin ⁽³⁾	-100	100	mA
	Output short-circuit ⁽⁴⁾	Continuous		mA
Temperature	Operating range, T _A	-40	125	°C
	Junction, T _J ⁽⁵⁾	-40	150	
	Storage, T _{stg}	-65	150	

(1) Stresses above these ratings may cause permanent damage. Exposure to absolute maximum conditions for extended periods may degrade device reliability. These are stress ratings only, and functional operation of the device at these or any other conditions beyond those specified is not implied.

(2) Input terminals are diode-clamped to the power-supply rails. Input signals that can swing more than 0.3V beyond the supply rails should be current-limited to 10mA or less.

(3) Output terminals are diode-clamped to the power-supply rails. Output signals that can swing more than 0.3V beyond the supply rails should be current-limited to ±100mA or less.

(4) Short-circuit to ground, one amplifier per package.

(5) The maximum power dissipation is a function of T_{J(MAX)}, R_{θJA}, and T_A. The maximum allowable power dissipation at any ambient temperature is P_D = (T_{J(MAX)} - T_A) / R_{θJA}. All numbers apply for packages soldered directly onto a PCB.

7.2 ESD Ratings

The following ESD information is provided for handling of ESD-sensitive devices in an ESD protected area only.

			VALUE	UNIT
V _(ESD)	Electrostatic discharge	Human-body model (HBM), per ANSI/ESDA/JEDEC JS-001 ⁽¹⁾	±4000	V
		Machine Model (MM)	±450	
		Charged-device model (CDM), per ANSI/ESDA/JEDEC JS-002 ⁽²⁾	±500	

(1) JEDEC document JEP155 states that 500 V HBM allows safe manufacturing with a standard ESD control process.

(2) JEDEC document JEP157 states that 250 V CDM allows safe manufacturing with a standard ESD control process.



ESD SENSITIVITY CAUTION

ESD damage can range from subtle performance degradation to complete device failure. Precision integrated circuits may be more susceptible to damage because very small parametric changes could cause the device not to meet its published specifications.

7.3 Recommended Operating Conditions

Over operating free-air temperature range (unless otherwise noted)

		MIN	NOM	MAX	UNIT
Supply voltage, V _S = (V ₊) - (V ₋)	Single-supply	2.7		5.5	V
	Dual-supply	±1.35		±2.75	

7.4 Thermal Information:RS8904

THERMAL METRIC ⁽¹⁾		RS8904		UNIT
		5PINS		
		SOT23-5	SOT353 (SC70-5)	
R _{θJA}	Junction-to-ambient thermal resistance	250	214.7	°C/W
R _{θJC(top)}	Junction-to-case(top) thermal resistance	84.3	127.1	°C/W
R _{θJB}	Junction-to-board thermal resistance	39.5	60.0	°C/W
Ψ _{JT}	Junction-to-top characterization parameter	2.86	33.4	°C/W
Ψ _{JB}	Junction-to-board characterization parameter	58.7	59.8	°C/W
R _{θJC(bot)}	Junction-to-case(bottom) thermal resistance	N/A	N/A	°C/W

(1) Thermal resistance varies with operating conditions.

7.5 ELECTRICAL CHARACTERISTICS: $V_{CC}=2.7V$

(At $T_A = +25^{\circ}C$, $V_{CC}=2.7V$, unless otherwise noted.)

PARAMETER	CONDITIONS	RS8904			UINT	
		MIN	TYP	MAX		
POWER SUPPLY						
V_{CC}	Operating Voltage Range		2.7		5.5	V
I_Q	Quiescent Current	$T_A = 25^{\circ}C$		117		μA
PSRR	Power-Supply Rejection Ratio	$V_S=2.7V$ to $5.5V$, $V_{CM}=V_{CC}/2$	60	75		dB
INPUT						
V_{OS}	Input Offset Voltage	$V_{CM} = V_{CC}/2$	-20	± 3	20	mV
$\Delta V_{OS}/\Delta T$	Input Offset Voltage Drift	$T_A = -40^{\circ}C$ to $125^{\circ}C$		± 2		$\mu V/^{\circ}C$
	Input Hysteresis			1		mV
I_B	Input Bias Current	$V_{CM} = V_{CC}/2$		1	100	pA
V_{CM}	Common-Mode Voltage Range	$T_A = -40^{\circ}C$ to $125^{\circ}C$	(V-)-0.1		(V+)+0.1	V
CMRR	Common-Mode Rejection Ratio	$V_{CM} = -0.1V$ to $2.8V$	60	75		dB
OUTPUT						
V_{OH}	Output Swing From Upper Rail	$I_{SOURCE} = 4mA$		255		mV
V_{OL}	Output Swing From Lower Rail	$I_{SINK} = 4mA$		230		mV
I_{SC}	Short Circuit Sink Current	I_{SC} sinking		13		mA
	Short Circuit Source Current	I_{SC} sourcing		14		mA
SWITCHING						
T_{PHL}	Propagation Delay H To L	Overdrive = 100 mV, $C_L = 15pF$		30		ns
T_{PLH}	Propagation Delay L To H	Overdrive = 100 mV, $C_L = 15pF$		32		
T_R	Rise Time	10% to 90%		2		ns
T_F	Fall Time	10% to 90%		2		ns

7.6 ELECTRICAL CHARACTERISTICS: $V_{CC}=5V$

(At $T_A = +25^\circ C$, $V_{CC}=5V$, unless otherwise noted.)

PARAMETER		CONDITIONS	RS8904			UINT
			MIN	TYP	MAX	
POWER SUPPLY						
V_S	Operating Voltage Range		2.7		5.5	V
I_Q	Quiescent Current	$T_A = 25^\circ C$		120	225	μA
PSRR	Power-Supply Rejection Ratio	$V_S=2.7V$ to $5.5V$, $V_{CM}=V_{CC}/2$	60	75		dB
INPUT						
V_{OS}	Input Offset Voltage	$V_{CM}=V_{CC}/2$	-20	± 3	20	mV
$\Delta V_{OS}/\Delta T$	Input Offset Voltage Drift	$T_A = -40^\circ C$ to $125^\circ C$		± 2		$\mu V/^\circ C$
	Input Hysteresis			1		mV
I_B	Input Bias Current	$V_{CM}=V_{CC}/2$		1	100	pA
V_{CM}	Common-Mode Voltage Range	$T_A = -40^\circ C$ to $125^\circ C$	(V-)-0.1		(V+)+0.1	V
CMRR	Common-Mode Rejection Ratio	$V_{CM} = -0.1V$ to $5.1V$	60	75		dB
OUTPUT						
V_{OH}	Output Swing From Upper Rail	$I_{SOURCE} = 4mA$		150		mV
V_{OL}	Output Swing From Lower Rail	$I_{SINK} = 4mA$		160		mV
I_{SC}	Short Circuit Sink Current	I_{SC} sinking	30	40		mA
	Short Circuit Source Current	I_{SC} sourcing	36	46		mA
SWITCHING						
T_{PHL}	Propagation Delay H To L	Overdrive = 100 mV, $C_L = 15pF$		25		ns
T_{PLH}	Propagation Delay L To H	Overdrive = 100 mV, $C_L = 15pF$		30		
T_R	Rise Time	10% to 90%		2		ns
T_F	Fall Time	10% to 90%		2		ns

7.7 Timing Diagrams

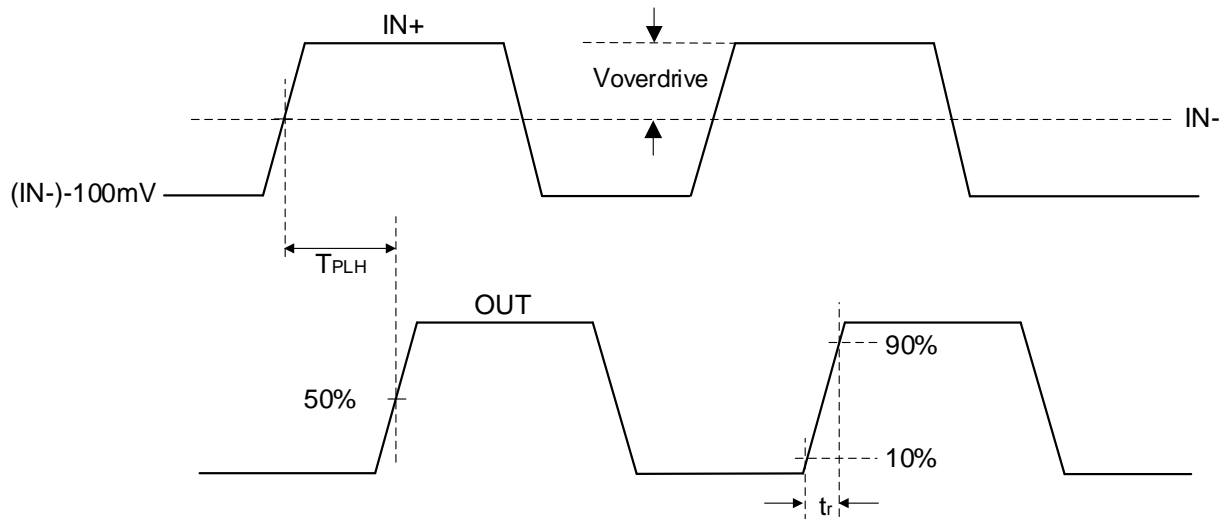


Figure 1. T_{PLH} Timing Diagram

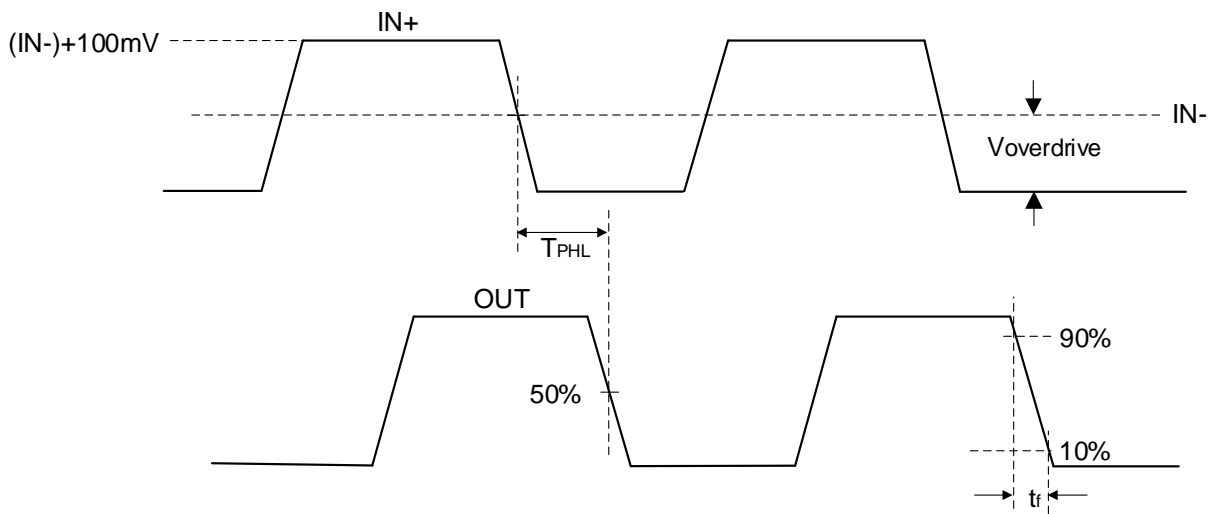


Figure 2. T_{PHL} Timing Diagram

7.8 TYPICAL CHARACTERISTICS

NOTE: The graphs and tables provided following this note are a statistical summary based on a limited number of samples and are provided for informational purposes only.

At $T_A = +25^\circ\text{C}$, $V_{CC}=5\text{V}$, unless otherwise noted.

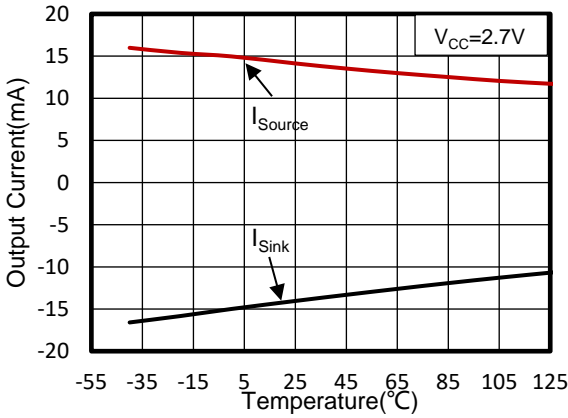


Figure 3. Output Current vs Temperature

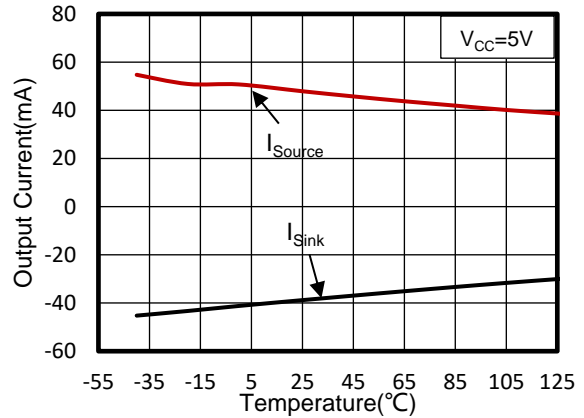


Figure 4. Output Current vs Temperature

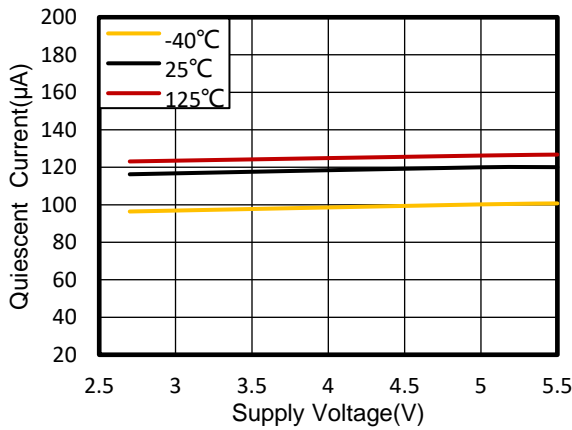


Figure 5. Quiescent Current vs Supply Voltage

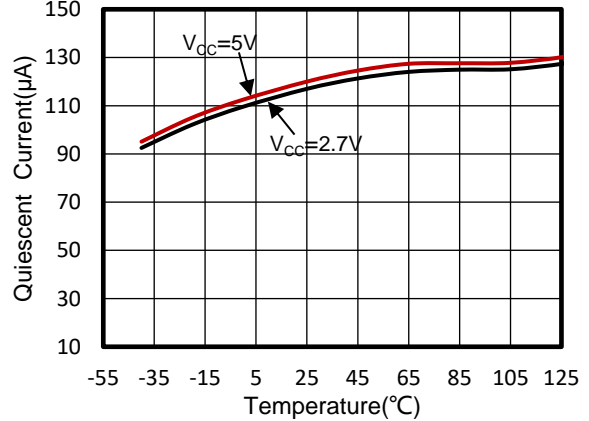


Figure 6. Quiescent Current vs Temperature

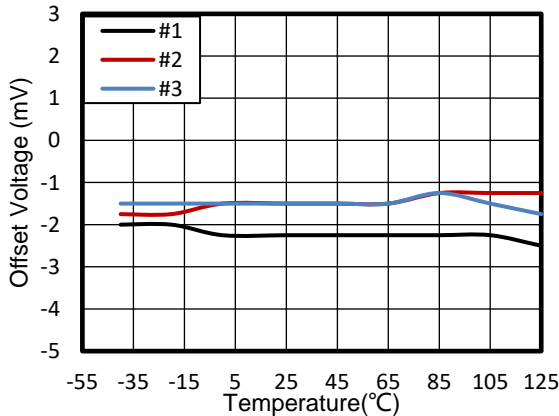


Figure 7. Offset Voltage vs Temperature

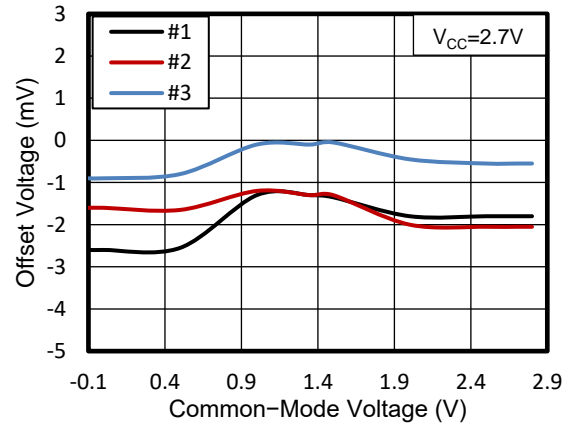
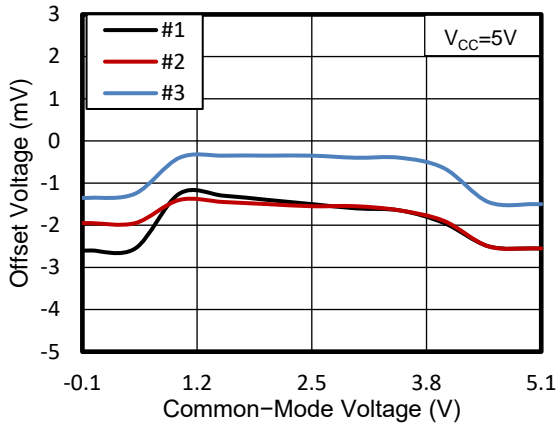
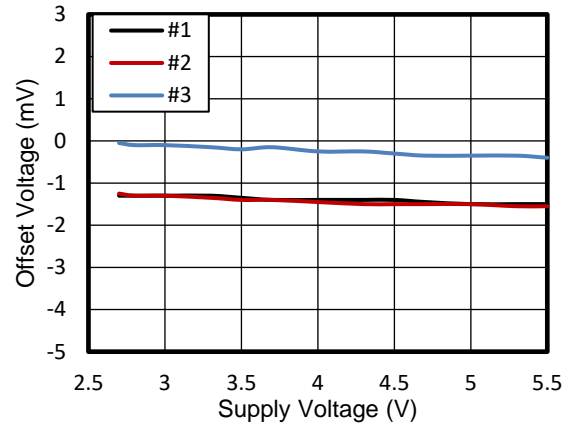
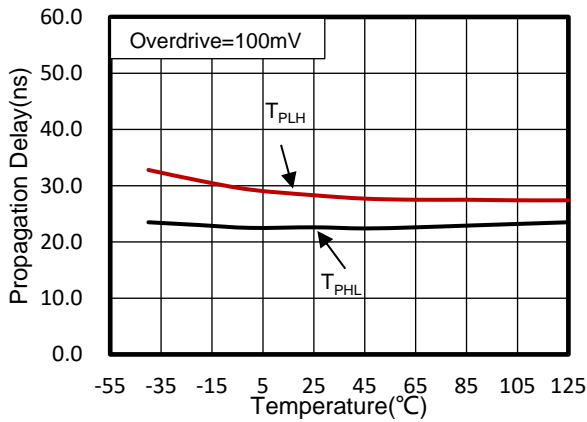
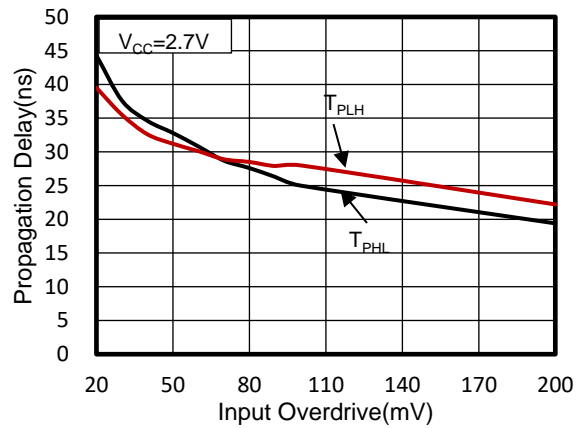
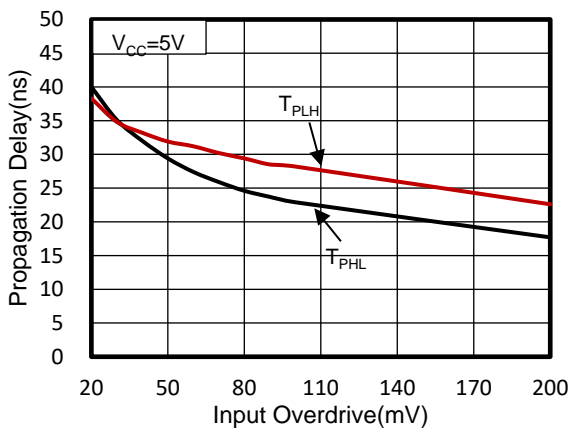


Figure 8. Offset Voltage vs Common-Mode Voltage

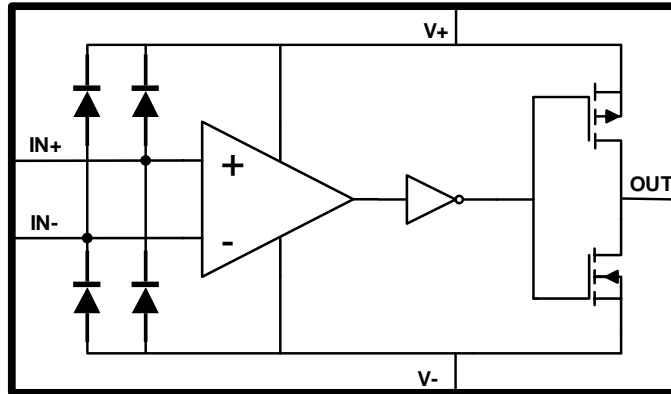

Figure 9. Offset Voltage vs Common-Mode Voltage

Figure 10. Offset Voltage vs Power Supply

Figure 11. Propagation Delay vs Temperature

Figure 12. Propagation Delay vs Input Overdrive

Figure 13. Propagation Delay vs Input Overdrive

8 Detailed Description

8.1 Overview

The RS8904 device is single-channel, low-power, high speed comparator with a push-pull output stage. Operating from 2.7V to 5.5V and consuming only 120 μ A. The push-pull output of the RS8904 supports rail-to-rail output swing and interfaces with TTL/CMOS logic. The RS8904 devices feature 40ns response time, and include 1 mV of internal hysteresis for improved noise immunity with an input common-mode range that extends 0.1 V beyond the power-supply rails.

8.2 Functional Block Diagram



8.3 Feature Description

The RS8904 device is low-power comparator that can operate at low voltage. The RS8904 feature a rail-to-rail input stage capable of operating up to 100 mV beyond the V_{CC} power supply rail.

8.4 Input Stage

The RS8904 has rail-to-rail input common-mode voltage range. It can operate at any differential input voltage within this limit as long as the differential voltage is greater than zero. A differential input of zero volts may result in oscillation.

The differential input stage of the comparator is a pair of PMOS and NMOS transistors, therefore, no current flows into the device. The input bias current measured is the leakage current in the MOS transistors and input protection diodes. This low bias current allows the comparator to interface with a variety of circuitry and devices with minimal concern about matching the input resistances.

8.5 Output Stage

The RS8904 has a CMOS push-pull rail-to-rail output stage. The push-pull transistor configuration of the output keeps the total system power consumption to a minimum. No power is wasted through the pull-up resistor when the output is low. The output stage is specifically designed with dead time between the time when one transistor is turned off and the other is turned on (break-before-make) to minimize shoot through currents. The internal logic controls the break-before-make timing of the output transistors. The break-before-make delay varies with temperature and power condition.

8.6 Output Current

The output can drive very large current. The RS8904 can source up to 46mA and can sink up to 40mA, when operated at 5V supply. This large current handling capability allows driving heavy loads directly.

9 Application Information

Information in the following applications sections is not part of the Runic component specification, and Runic does not warrant its accuracy or completeness. Runic's customers are responsible for determining suitability of components for their purposes. Customers should validate and test their design implementation to confirm system functionality.

9.1 External Hysteresis

The RS8904 have a hysteresis transfer curve (shown in Figure 14) that is a function of three components: V_{TH} , V_{OS} , and V_{HYST} .

- V_{TH} : the actual set voltage or threshold trip voltage
- V_{OS} : the internal offset voltage between V_{IN+} and V_{IN-} . This voltage is added to V_{TH} to form the actual trip point at which the comparator must respond to change output states.
- V_{HYST} : internal hysteresis (or trip window) that is designed to reduce comparator sensitivity to noise.

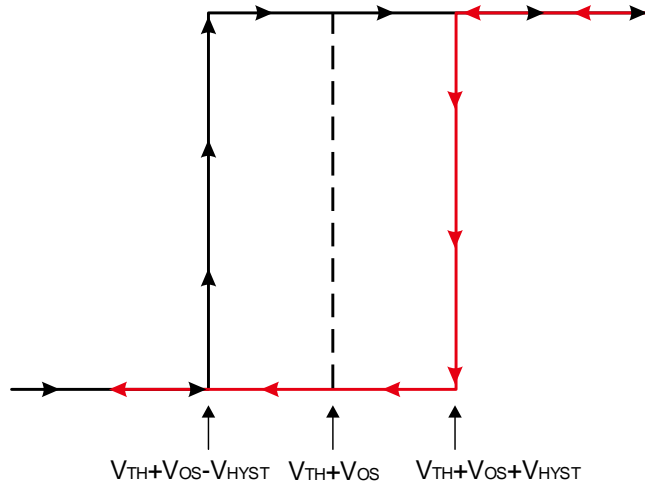


Figure 14. RS8904 Hysteresis Transfer Curve

9.2 Inverting Comparator with Hysteresis

The inverting comparator with hysteresis requires a three-resistor network that is referenced to the comparator supply voltage (V_{CC}), as shown in Figure 15. When V_{IN} at the inverting input is less than V_A , the output voltage is high (for simplicity, assume V_O switches as high as V_{CC}). The three network resistors can be represented as $R1 \parallel R3$ in series with $R2$. The lower input trip voltage (V_{A1}) is defined by Equation 1:

$$V_{A1} = V_{CC} \times \frac{R2}{(R1 \parallel R3) + R2} \quad (1)$$

When V_{IN} is greater than $[V_A \times (V_{IN} > V_A)]$, the output voltage is low, very close to ground. In this case, the three network resistors can be presented as $R2 \parallel R3$ in series with $R1$. The upper trip voltage (V_{A2}) is defined by Equation 2:

$$V_{A2} = V_{CC} \times \frac{R2 \parallel R3}{(R2 \parallel R3) + R1} \quad (2)$$

The total hysteresis provided by the network is defined by Equation 3:

$$\Delta V_A = V_{A1} - V_{A2} \quad (3)$$

Application Information(continued)

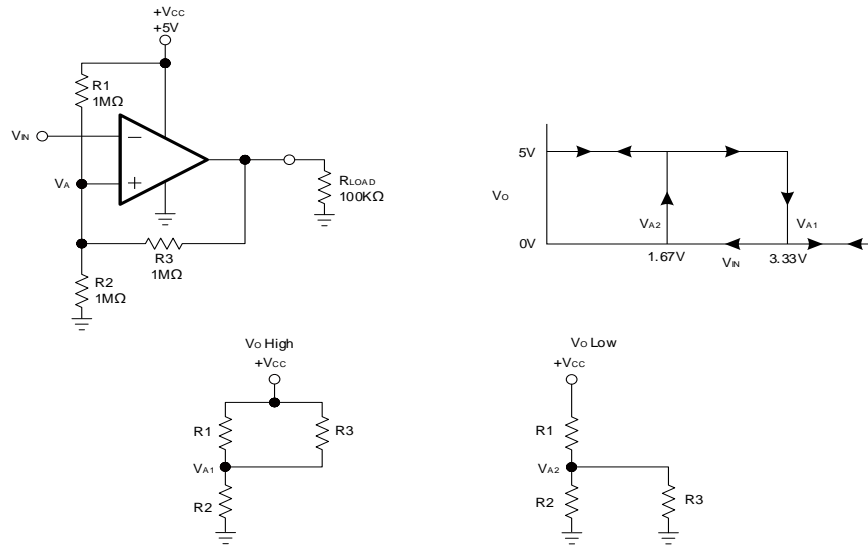


Figure 15. RS8904 in Inverting Configuration With Hysteresis

9.3 Noninverting Comparator with Hysteresis

A noninverting comparator with hysteresis requires a two-resistor network, as shown in Figure16, and a voltage reference (V_{REF}) at the inverting input. When V_{IN} is low, the output is also low. For the output to switch from low to high, V_{IN} must rise up to V_{IN1} . V_{IN1} is calculated by Equation 4:

$$V_{IN1} = R1 \times \frac{V_{REF}}{R2} \times V_{REF} \quad (4)$$

When V_{IN} is high, the output is also high. For the comparator to switch back to a low state, V_{IN} must equal V_{REF} before V_A is again equal to V_{REF} . V_{IN} can be calculated by Equation 5:

$$V_{IN2} = \frac{V_{REF}(R1+R2)-V_{CC} \times R1}{R2} \quad (5)$$

The hysteresis of this circuit is the difference between V_{IN1} and V_{IN2} , as defined by Equation 6:

$$\Delta V_{IN} = V_{CC} \times \frac{R1}{R2} \quad (6)$$

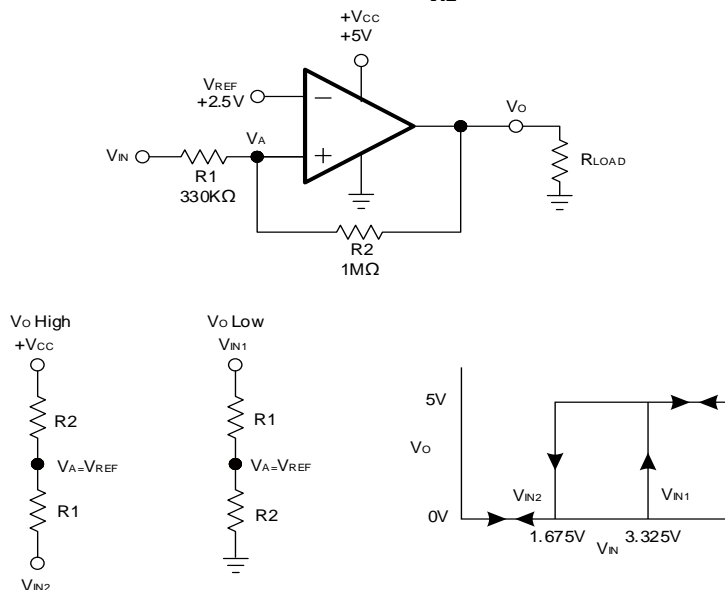


Figure 16. RS8904 in Noninverting Configuration with Hysteresis

9.4 Capacitive Loads

The RS8904 feature a push-pull output. When the output switches, there is a direct path between V_{CC} and ground, causing increased output sinking or sourcing current during the transition. Following the transition the output current decreases and supply current returns to $120\ \mu\text{A}$, thus maintaining low power consumption. Under reasonable capacitive loads, the RS8904 maintain specified propagation delay (see Typical Characteristics), but excessive capacitive loading under high switching frequencies may increase supply current, propagation delay, or induce decreased slew rate.

10 Layout

10.1 Layout Guidelines

The RS8904 are fast-switching, high-speed comparators and require high-speed layout considerations. For best results, maintain the following layout guidelines.

- Use a printed-circuit board (PCB) with a good, unbroken low-inductance ground plane.
- Place decoupling capacitors (0.1 μ F and 1 μ F ceramic, surface-mount capacitor) as close as possible to V_{CC}. Using multiple bypass capacitors in different decade ranges such as 10pF, 1nF, 100nF and 1 μ F provides the best noise reduction across frequency ranges.
- On the inputs and the output, keep lead lengths as short as possible to avoid unwanted parasitic feedback around the comparator. Keep inputs away from the output.
- Solder the device directly to the PCB rather than using a socket.
- For slow-moving input signals, take care to prevent parasitic feedback. A small capacitor (1000 pF or less) placed between the inputs can help eliminate oscillations in the transition region. This capacitor causes some degradation to propagation delay when the impedance is low. The topside ground plane runs between the output and inputs.
- The ground pin ground trace runs under the device up to the bypass capacitor, shielding the inputs from the outputs.

10.2 Layout Example

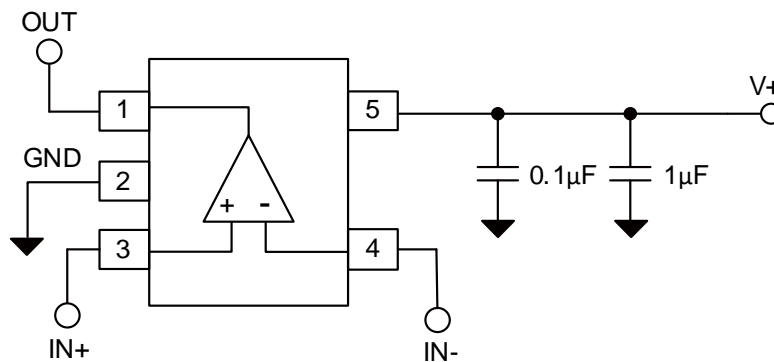
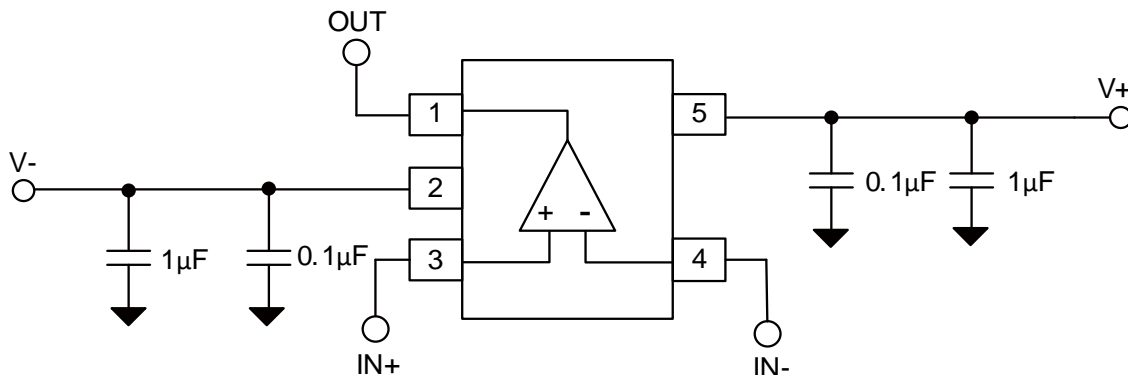


Figure 17. RS8904 Single-supply Layout Example

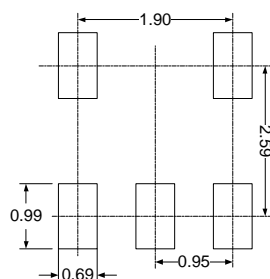
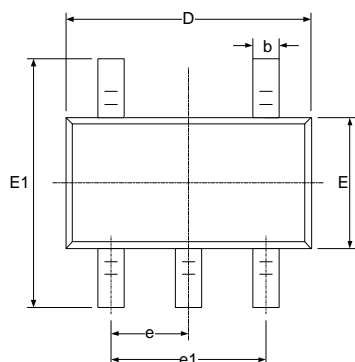
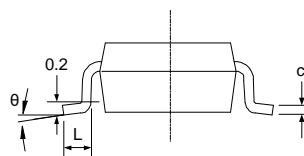
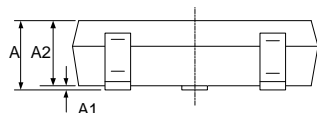


NOTE: If dual power supply is used, it is necessary to place decoupling capacitors (0.1 μ F and 1 μ F ceramic, surface-mount capacitor) as close as possible to V₊ and V₋.

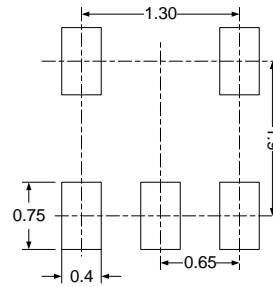
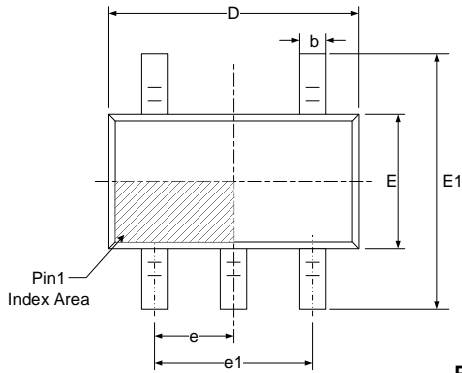
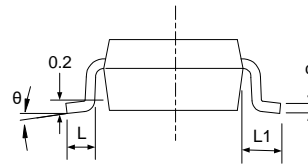
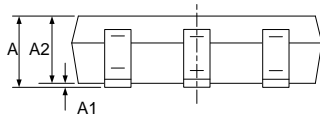
Figure 18. RS8904 dual-supply Layout Example

11 PACKAGE OUTLINE DIMENSIONS

SOT23-5


RECOMMENDED LAND PATTERN (Unit: mm)


Symbol	Dimensions In Millimeters		Dimensions In Inches	
	Min	Max	Min	Max
A	1.050	1.250	0.041	0.049
A1	0.000	0.100	0.000	0.004
A2	1.050	1.150	0.041	0.045
b	0.300	0.500	0.012	0.020
c	0.100	0.200	0.004	0.008
D	2.820	3.020	0.111	0.119
E	1.500	1.700	0.059	0.067
E1	2.650	2.950	0.104	0.116
e	0.950(BSC)		0.037(BSC)	
e1	1.800	2.000	0.071	0.079
L	0.300	0.600	0.012	0.024
θ	0°	8°	0°	8°

SOT353(SC70-5)

RECOMMENDED LAND PATTERN (Unit: mm)


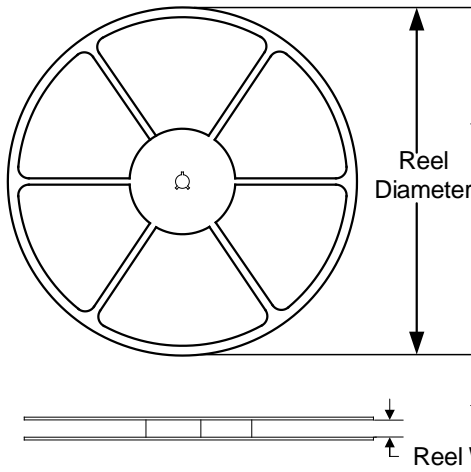
Symbol	Dimensions In Millimeters		Dimensions In Inches	
	Min	Max	Min	Max
A	0.900	1.100	0.035	0.043
A1	0.000	0.100	0.000	0.004
A2	0.900	1.000	0.035	0.039
b	0.150	0.350	0.006	0.014
c	0.080	0.150	0.003	0.006
D	2.000	2.200	0.079	0.087
E	1.150	1.350	0.045	0.053
E1	2.150	2.450	0.085	0.096
e	0.650(BSC)		0.026(BSC)	
e1	1.300(BSC)		0.051(BSC)	
L	0.260	0.460	0.010	0.018
L1	0.525		0.021	
θ	0°	8°	0°	8°

NOTE:

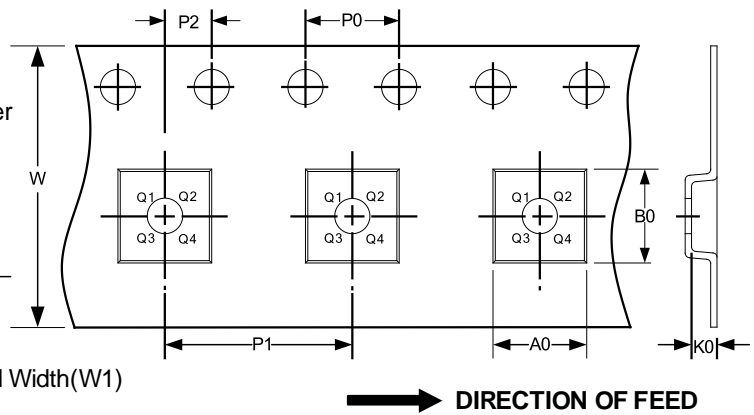
- A. All linear dimension is in millimeters.
- B. This drawing is subject to change without notice.
- C. Body dimensions do not include mold flash or protrusion. Mold flash and protrusion shall not exceed 0.15 per side.
- D. BSC: Basic Dimension. Theoretically exact value shown without tolerances.

12 TAPE AND REEL INFORMATION

REEL DIMENSIONS



TAPE DIMENSION



NOTE: The picture is only for reference. Please make the object as the standard.

KEY PARAMETER LIST OF TAPE AND REEL

Package Type	Reel Diameter	Reel Width(mm)	A0 (mm)	B0 (mm)	K0 (mm)	P0 (mm)	P1 (mm)	P2 (mm)	W (mm)	Pin1 Quadrant
SOT23-5	7"	9.5	3.20	3.20	1.40	4.0	4.0	2.0	8.0	Q3
SOT353(SC70-5)	7"	9.5	2.25	2.55	1.20	4.0	4.0	2.0	8.0	Q3

NOTE:

1. All dimensions are nominal.
2. Plastic or metal protrusions of 0.15mm maximum per side are not included.

IMPORTANT NOTICE AND DISCLAIMER

Jiangsu Runic Technology Co., Ltd. will accurately and reliably provide technical and reliability data (including data sheets), design resources (including reference designs), application or other design advice, WEB tools, safety information and other resources, without warranty of any defect, and will not make any express or implied warranty, including but not limited to the warranty of merchantability Implied warranty that it is suitable for a specific purpose or does not infringe the intellectual property rights of any third party.

These resources are intended for skilled developers designing with Runic products You will be solely responsible for: (1) Selecting the appropriate products for your application; (2) Designing, validating and testing your application; (3) Ensuring your application meets applicable standards and any other safety, security or other requirements; (4) Runic and the Runic logo are registered trademarks of Runic Incorporated. All trademarks are the property of their respective owners; (5) For change details, review the revision history included in any revised document. The resources are subject to change without notice. Our company will not be liable for the use of this product and the infringement of patents or third-party intellectual property rights due to its use.

X-ON Electronics

Largest Supplier of Electrical and Electronic Components

Click to view similar products for [Analog Comparators](#) category:

Click to view products by [RUNIC](#) manufacturer:

Other Similar products are found below :

[SC2903VDR2G](#) [LM2901SNG](#) [LM339SNG](#) [5962-8757203IA](#) [NTE911](#) [LM339EDR2G](#) [NTE922](#) [UPC311G2-E1-A](#) [UPC311G2-E2-A](#)
[UPC272G2-E1-A](#) [UPC277G2-E2-A](#) [UPC177G2-E2-A](#) [UPC271G2-E2-A](#) [TLV1811DBVR](#) [HT393VRMZ](#) [LM2903YD](#) [NCV2200SN1T1G](#)
[LM2903A-SR](#) [LM2903A-VR](#) [HT393ARZ](#) [LM2903](#) [LM2904](#) [LM393D](#) [LM393](#) [LMV331SN3T1G](#) [LMV331ILT](#) [LMV331W5](#)
[LMV331IDBVR](#) [LMV331M5X](#) [TPV331S5](#) [LM339A-SR](#) [GS8748-SR](#) [LM311MM/TR](#) [LM211MM/TR](#) [HT339ARQZ](#) [LM393DR-HXY](#)
[LM2903XK-Q1](#) [RS393XK-Q1](#) [LM2903XM](#) [RS339XQ](#) [LM331CXF](#) [RS393XM](#) [LM2901XP](#) [LM2901DR-JSM](#) [LM239DR-JSM](#) [LM339](#)
[LR2903D](#) [TS391IL](#) [LM331A-S5TR](#) [GSV331R-TR](#)