

Description

The RJGT102 is a member of high-security hardware authentication devices for copyright protection. Its encryption core is based on SHA-256 with 256-bits programmable parameters. The RJGT102 device includes 176-bytes of electrically erasable programmable read-only memory (EEPROM) organized as data zone/key zone and configuration zone. Access to the device is made through a two-wire serial interface at speeds of up to 400Kb/s, it's a slave device that always operates with MCU through the serial bus.

Applications

Such as Anti-counterfeiting consumables (printer ink tanks, medical disposables, or spare parts), Protecting MCU/FPGA/DSP Firmware or Media files, Storing data securely, Checking user passwords, etc.

Features

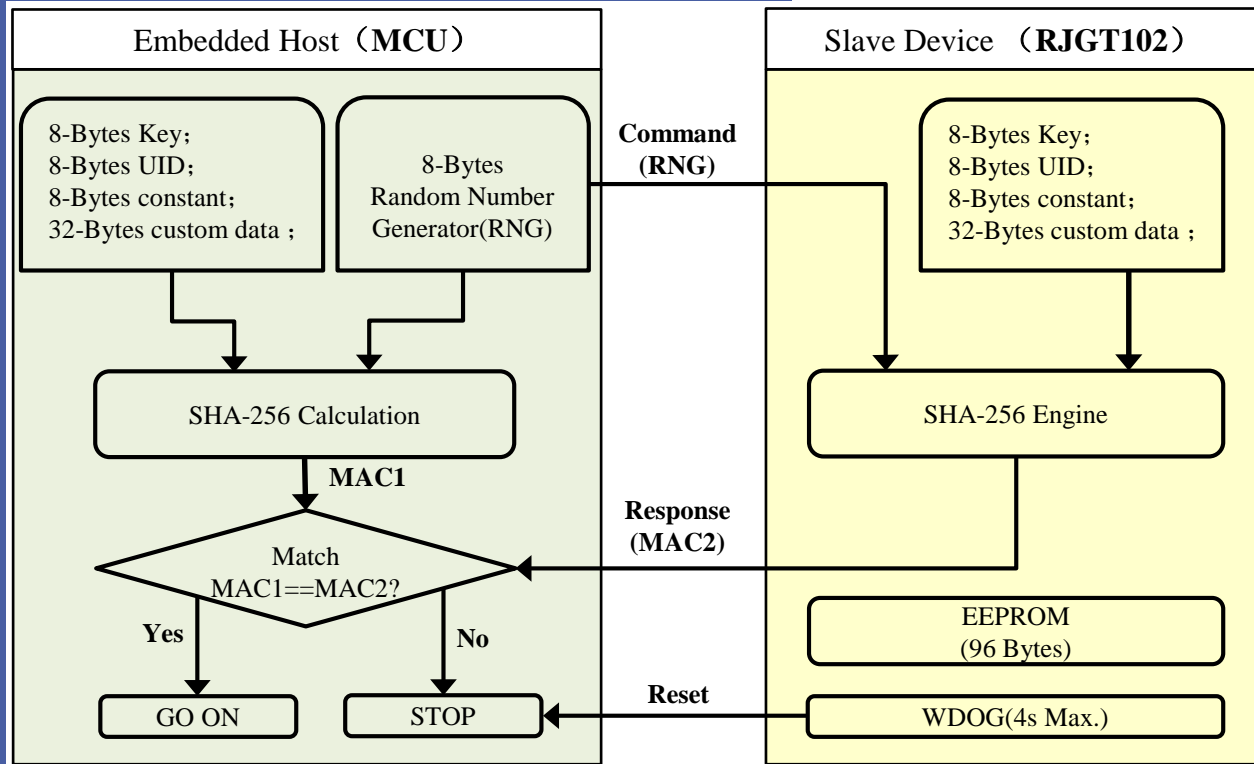
- 8-Bytes read-only memory for user Key, which is protected hardware-based key storage.
- 128-Bytes of EEPROM memory partitioned into four pages of 32-Bytes, Individual memory pages can not only permanently write protected but also encrypted.
- Superior hash algorithm with message authentication code (MAC), which is conform to the industry-standard SHA-256. Secure symmetric dynamic authentication device host and slave operations.
- Programmable and lockable 64-bits serial number (UID).
- Two-wire serial interface compatible with I²C, Supporting up to 400Kb/s.
- Operates over 3.0V to 3.6V voltage range from -40°C to +85°C.
- 5KV HBM ESD Rating.
- Built-in power on reset (POR) and 4MHz OSC.
- 6-lead SOT23 and 8-lead SOP Packages.



Table 1. Device summary

Package	Part number
SOT23-6L	RJGT102WDT6
SOP-8L	RJGT102WDP8

Application Block



X-ON Electronics

Largest Supplier of Electrical and Electronic Components

Click to view similar products for [Security ICs / Authentication ICs](#) category:

Click to view products by [Runjet](#) manufacturer:

Other Similar products are found below :

[AT97SC3205-X3A12-20](#) [AT97SC3204T-X2A1B-10](#) [AT97SC3204-U2A1A-10](#) [DS28E25+](#) [A1006TL/TA1NXZ](#) [ATECC608A-MAHDA-S](#)
[AT97SC3205T-H3M4C10B](#) [A1006UK/TA1NXZ](#) [ATSHA204A-MAHCZ-S](#) [ATAES132A-MAHEQ-S](#) [ATECC608A-MAHCZ-S](#) [IPL-CHP](#)
[ATAES132A-MAHER-S](#) [AT97SC3205T-H3M4C-00](#) [AT97SC3204-X2M6-00](#) [AT97SC3205T-G3M4C20B](#) [AT97SC3205T-G3M4C-00](#)
[AT97SC3205T-G3M4C-10](#) [AT88SC118-SH-CN-T](#) [AT97SC3205-H3M4500B](#) [AT88SC118-SH-CM-T](#) [AT97SC3205T-H3M4C-20](#)
[AT97SC3205T-G3M4C00B](#) [AT97SC3205T-H3M4C00B](#) [AT97SC3205T-H3M4C20B](#) [AT97SC3205-X3A12-10](#) [ATECC608A-MAHCZ-T](#)
[ATECC608A-MAHDA-T](#) [ATECC108A-MAHCZ-T](#) [AT97SC3204-U2A16-00](#) [AT97SC3204-U2A1A-20](#) [AT97SC3204-X2A1A-10](#)
[ATAES132A-MAHER-T](#) [ATAES132-SH-EQ](#) [ATECC508A-MAHCZ-S](#) [ATECC508A-MAHCZ-T](#) [ATECC508A-MAHDA-S](#) [ATECC508A-](#)
[MAHDA-T](#) [ATSHA204A-MAHCZ-T](#) [ATSHA204A-MAHDA-T](#) [ATSHA204A-XHDA-T](#) [ATSHA204A-MAHDA-S](#)
[SLB9645TT12FW13333XUMA2](#) [SLS32AIA020X2USON10XTMA4](#) [DS1990R-F3](#) [404726X](#) [DS2401+](#) [DS1990A-F3+](#) [DS1990A-F5+](#)
[DS2401P+T&R](#)