

# 5.5V 2A 1.2MHz Synchronous Step-Down Regulator

## Features

- 2.7V to 5.5V Input Voltage Range
- 2A Continuous Output Current
- 1.2MHz Switching Frequency
- Built-in Short Protection
- Built-in Over Current Limit
- Built-in Over Voltage Protection
- PFM Mode for High Efficiency in Light Load
- Internal Soft-Start
- High Efficiency: Up to 96%
- Output Adjustable from 0.6V
- No Schottky Diode Required
- Over Temperature Protected
- Low Quiescent Current: 40 $\mu$ A
- Available in SON763 package
- -40°C to +85°C Temperature Range

## Applications

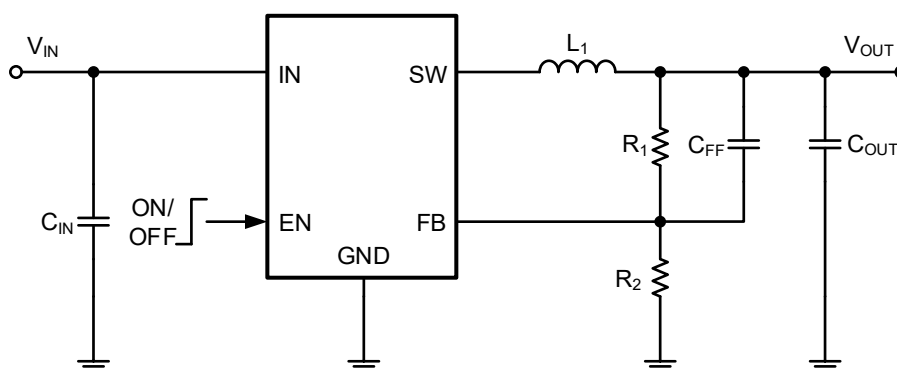
- Cellular and Smart Phones
- Wireless and DSL Modems
- PDAs
- Portable Instruments
- Digital Still and Video Cameras
- PC Cards

## General Description

The RY8027 is a high-efficiency monolithic synchronous buck regulator using a constant frequency, current mode architecture. The device is available in an adjustable version. Supply current with no load is 40 $\mu$ A and drops to <1 $\mu$ A in shutdown. The 2.7V to 5.5V input voltage range makes the RY8027 ideally suited for single Li-Ion battery powered applications. 100% duty cycle provides low dropout operation, extending battery life in portable systems. PWM/PFM mode operation provides very low output ripple voltage for noise sensitive applications. Switching frequency is internally set at 1.2MHz, allowing the use of small surface mount inductors and capacitors. Low output voltages are easily supported with the 0.6V feedback reference voltage.

The RY8027 requires a minimal number of readily available, external components and is available in a space saving SON763 package.

## Typical Application Circuit

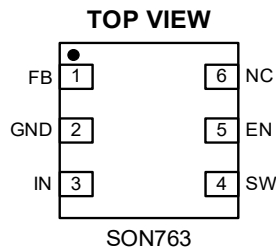


Basic Application Circuit

# 5.5V 2A 1.2MHz Synchronous Step-Down Regulator

## Pin Description

## Pin Configuration



Top Marking: AXYLL (device code: AX, Y=year code, LL= lot number code)

## Pin Description

| Pin | Name | Function  |
|-----|------|---|
| 1   | FB   | Output Voltage Feedback Pin. An internal resistive divider divides the output voltage down for comparison to the internal reference voltage.      |
| 2   | GND  | Ground Pin  |
| 3   | IN   | Power Supply Input. Must be closely decoupled to GND with a 10 $\mu$ F or greater ceramic capacitor.  |
| 4   | SW   | Power Switch Output. It is the switch node connection to Inductor. This pin connects to the drains of the internal P-ch and N-ch MOSFET switches. |
| 5   | EN   | Chip Enable Pin. Drive EN above 1.2V to turn on the part. Drive EN below 0.6V to turn it off. Do not leave EN floating.                           |
| 6   | NC   | Not Connected   |

## Order Information <sup>(1)</sup>

| Marking      | Part No. | Model  | Description   | Package | T/R Qty. |
|--------------|----------|--------|---|---------|----------|
| <u>AXYLL</u> | 70301019 | RY8027 | RY8027 Buck, 2.7-5.5V, 2A, 1.2MHz, VFB 0.6V, SON763 | SON763  | 3000PCS  |

Note (1): All RYCHIP parts are Pb-Free and adhere to the RoHS directive.

# 5.5V 2A 1.2MHz Synchronous Step-Down Regulator

## Specifications

### Absolute Maximum Ratings <sup>(1) (2)</sup>

| Item   | Min                | Max                   | Unit |
|--|--------------------|-----------------------|------|
| V <sub>IN</sub> voltage                        | -0.3               | 6                     | V    |
| EN voltage                                     | -0.3               | 6                     | V    |
| SW voltage                                     | -0.3               | V <sub>IN</sub> +0.5V | V    |
| FB voltage                                     | -0.3               | 6                     | V    |
| Power dissipation <sup>(3)</sup>               | Internally Limited |                       |      |
| Operating junction temperature, T <sub>J</sub> | -40                | 150                   | °C   |
| Storage temperature, T <sub>stg</sub>          | -55                | 150                   | °C   |
| Lead Temperature (Soldering, 10sec.)           |                    | 260                   | °C   |

Note (1): Exceeding these ratings may damage the device.

Note (2): The device is not guaranteed to function outside of its operating conditions.

Note (3): The maximum allowable power dissipation is a function of the maximum junction temperature, T<sub>J(MAX)</sub>, the junction-to-ambient thermal resistance, R<sub>θJA</sub>, and the ambient temperature, T<sub>A</sub>. The maximum allowable power dissipation at any ambient temperature is calculated using: P<sub>D(MAX)</sub> = (T<sub>J(MAX)</sub> - T<sub>A</sub>)/R<sub>θJA</sub>. Exceeding the maximum allowable power dissipation causes excessive die temperature, and the regulator goes into thermal shutdown. Internal thermal shutdown circuitry protects the device from permanent damage. Thermal shutdown engages at T<sub>J</sub>=160°C (typical) and disengages at T<sub>J</sub>= 130°C (typical).

### ESD Ratings

| Item                   | Description  | Value | Unit |
|------------------------|--|-------|------|
| V <sub>(ESD-HBM)</sub> | Human Body Model (HBM)<br>ANSI/ESDA/JEDEC JS-001-2014<br>Classification, Class: 2      | ±2000 | V    |
| V <sub>(ESD-CDM)</sub> | Charged Device Mode (CDM)<br>ANSI/ESDA/JEDEC JS-002-2014<br>Classification, Class: C0b | ±200  | V    |
| I <sub>LATCH-UP</sub>  | JEDEC STANDARD NO.78E APRIL 2016<br>Temperature Classification,<br>Class: I            | ±150  | mA   |

### Recommended Operating Conditions

| Item  | Min | Max | Unit |
|---|-----|-----|------|
| Operating junction temperature <sup>(1)</sup> | -40 | 125 | °C   |
| Operating temperature range                   | -40 | 85  | °C   |
| Input voltage V <sub>IN</sub>                 | 2.7 | 5.5 | V    |
| Output current                                | 0   | 2   | A    |

Note (1): All limits specified at room temperature (T<sub>A</sub> = 25°C) unless otherwise specified. All room temperature limits are 100% production tested. All limits at temperature extremes are ensured through correlation using standard Statistical Quality Control (SQC) methods. All limits are used to calculate Average Outgoing Quality Level (AOQL).

# 5.5V 2A 1.2MHz Synchronous Step-Down Regulator

## Thermal Information

| Item                  | Description  | Value | Unit |
|-----------------------|--|-------|------|
| R <sub>θJA</sub>      | Junction-to-ambient thermal resistance <sup>(1)(2)</sup> | 95    | °C/W |
| R <sub>θJC(top)</sub> | Junction-to-case (top) thermal resistance                | 49.5  | °C/W |
| R <sub>θJB</sub>      | Junction-to-board thermal resistance                     | 15.5  | °C/W |
| ψ <sub>JT</sub>       | Junction-to-top characterization parameter               | 3.2   | °C/W |
| ψ <sub>JB</sub>       | Junction-to-board characterization parameter             | 15.5  | °C/W |

Note (1): The package thermal impedance is calculated in accordance to JESD 51-7.

Note (2): Thermal Resistances were simulated on a 4-layer, JEDEC board

## Electrical Characteristics <sup>(1)(2)</sup>

V<sub>IN</sub>=5V, T<sub>A</sub>=25°C, unless otherwise specified.

| Parameter                         | Conditions                         | Min.  | Typ.  | Max.  | Unit |
|-----------------------------------|------------------------------------|-------|-------|-------|------|
| Input Voltage Range               |                                    | 2.7   |       | 5.5   | V    |
| Supply Current (Quiescent)        | V <sub>EN</sub> =3.0V              |       | 40    | 80    | μA   |
| Supply Current (Shutdown)         | V <sub>EN</sub> =0 or EN = GND     |       | 0.1   | 1.0   | μA   |
| Feedback Voltage                  |                                    | 0.585 | 0.600 | 0.615 | V    |
| High-Side Switch On-Resistance    | I <sub>SW</sub> =100mA             |       | 300   |       | mΩ   |
| Low-Side Switch On-Resistance     | I <sub>SW</sub> =-100mA            |       | 200   |       | mΩ   |
| Upper Switch Current Limit        |                                    | 3     |       |       | A    |
| Over Voltage Protection Threshold |                                    |       | 6     |       | V    |
| Switching Frequency               |                                    |       | 1.2   |       | MHz  |
| EN Rising Threshold               |                                    | 1.2   |       |       | V    |
| EN Falling Threshold              |                                    |       |       | 0.8   | V    |
| Under-Voltage Lockout Threshold   | Wake up V <sub>IN</sub> Voltage    |       | 2.5   | 2.6   | V    |
|                                   | Shutdown V <sub>IN</sub> Voltage   | 1.8   | 1.9   |       | V    |
|                                   | Hysteresis V <sub>IN</sub> voltage |       | 600   |       | mV   |
| Soft Start                        |                                    |       | 1     |       | mS   |
| Thermal Shutdown                  |                                    |       | 160   |       | °C   |
| Thermal Hysteresis                |                                    |       | 30    |       | °C   |

Note (1): MOSFET on-resistance specifications are guaranteed by correlation to wafer level measurements.

Note (2): Thermal shutdown specifications are guaranteed by correlation to the design and characteristics analysis.

# 5.5V 2A 1.2MHz Synchronous Step-Down Regulator

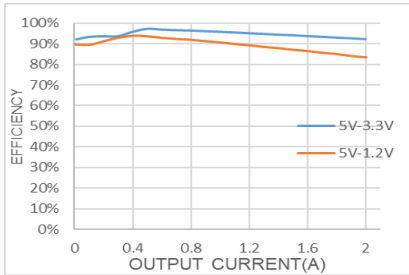
## Typical Performance Characteristics <sup>(1)(2)</sup>

Note (1): Performance waveforms are tested on the evaluation board.

Note (2):  $V_{IN}=5V$ ,  $V_{OUT}=3.3V$ ,  $T_A = +25^{\circ}C$ , unless otherwise noted.

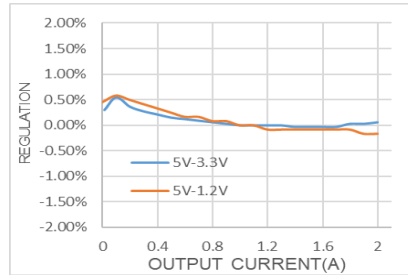
### Efficiency vs Load Current

$V_{OUT}=3.3V$



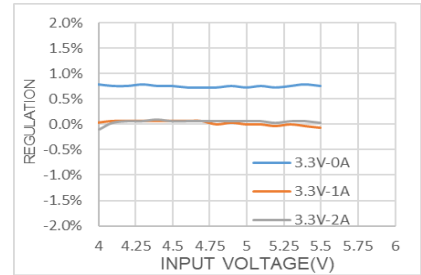
### Load Regulation

$V_{OUT}=3.3V$



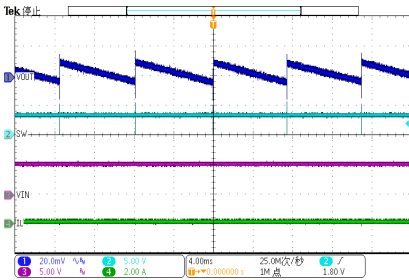
### Line Regulation

$V_{OUT}=3.3V$



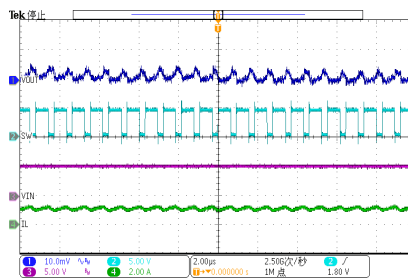
### Output Ripple Voltage

$V_{IN}=5V$ ,  $V_{OUT}=3.3V$ ,  $I_{OUT}=0A$



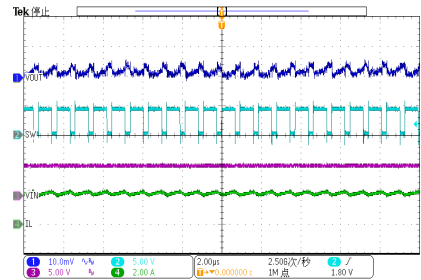
### Output Ripple Voltage

$V_{IN}=5V$ ,  $V_{OUT}=3.3V$ ,  $I_{OUT}=1A$



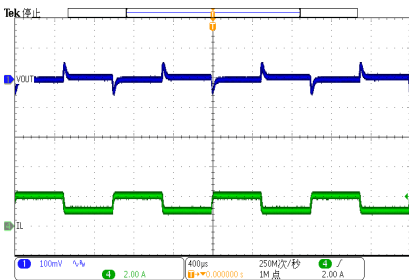
### Output Ripple Voltage

$V_{IN}=5V$ ,  $V_{OUT}=3.3V$ ,  $I_{OUT}=2A$



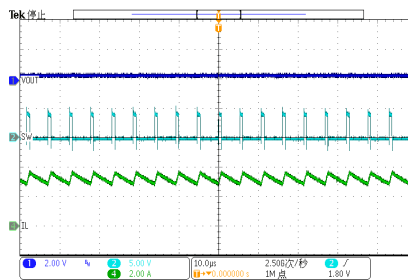
### Loop Response

$V_{IN}=5V$ ,  $V_{OUT}=3.3V$ ,  $I_{OUT}=1A-2A$



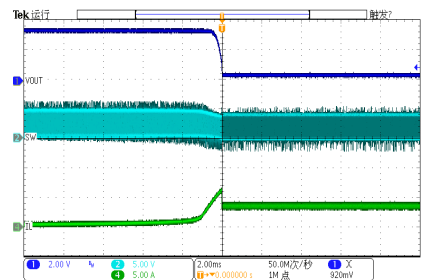
### Output Short

$V_{IN}=5V$ ,  $V_{OUT}=3.3V$



### Short Circuit Entry

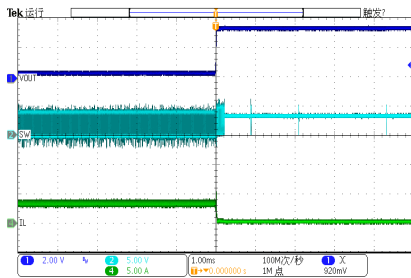
$V_{IN}=5V$ ,  $V_{OUT}=3.3V$



# 5.5V 2A 1.2MHz Synchronous Step-Down Regulator

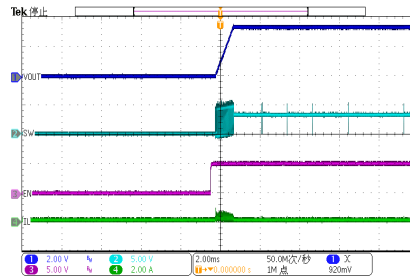
## Short Circuit Recovery

$V_{IN}=5V, V_{OUT}=3.3V$



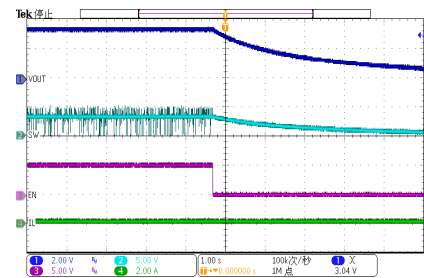
## Enable Startup at No Load

$V_{IN}=5V, V_{OUT}=3.3V$



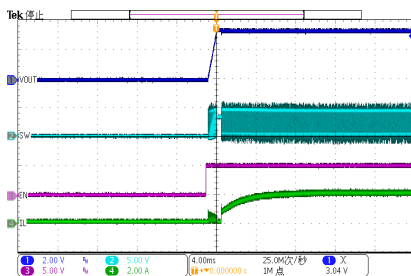
## Enable Shutdown at No Load

$V_{IN}=5V, V_{OUT}=3.3V$



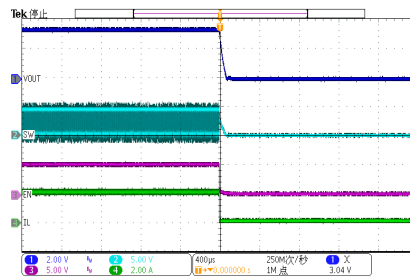
## Enable Startup at Full Load

$V_{IN}=5V, V_{OUT}=3.3V, I_{OUT}=2A$



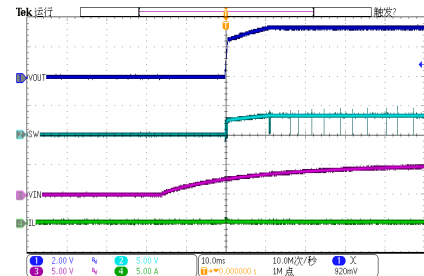
## Enable Shutdown at Full Load

$V_{IN}=5V, V_{OUT}=3.3V, I_{OUT}=2A$



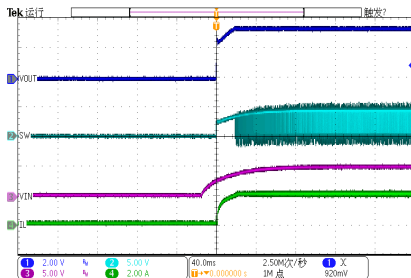
## Power Up at No Load

$V_{IN}=5V, V_{OUT}=3.3V, I_{OUT}=0A$



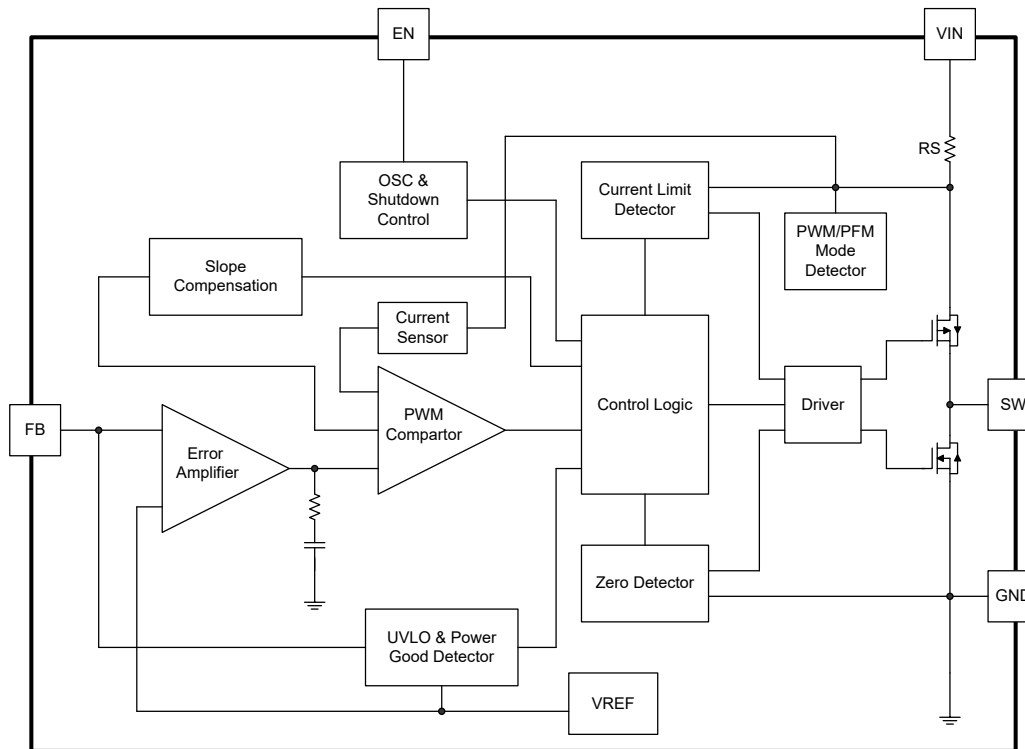
## Power Up at Full Load

$V_{IN}=5V, V_{OUT}=3.3V, I_{OUT}=2A$



# 5.5V 2A 1.2MHz Synchronous Step-Down Regulator

## Functional Block Diagram



Block Diagram

## Functions Description

### Internal Regulator

The RY8027 is a current mode step down DC/DC converter that provides excellent transient response with no extra external compensation components. This device contains an internal, low resistance, high voltage power MOSFET, and operates at a high 1.2MHz operating frequency to ensure a compact, high efficiency design with excellent AC and DC performance.

### Error Amplifier

The error amplifier compares the FB pin voltage with the internal FB reference (VFB) and outputs a current proportional to the difference between the two. This output current is then used to charge or discharge the internal compensation network, which is used to control the power MOSFET current. The optimized internal compensation network minimizes the external component counts and simplifies the control loop design.

### Under-Voltage Lockout (UVLO)

Under-voltage lockout (UVLO) protects the chip from operating at an insufficient supply voltage. UVLO protection monitors the internal regulator voltage. When the voltage is lower than UVLO threshold voltage, the device is shut off. When the voltage is higher than UVLO threshold voltage, the device is enabled again.

### Thermal Shutdown

Thermal shutdown prevents the chip from operating at exceedingly high temperatures. When the silicon die

## 5.5V 2A 1.2MHz Synchronous Step-Down Regulator

temperature exceeds 160°C, it shuts down the whole chip. When the temperature falls below its lower threshold (Typ. 130°C) the chip is enabled again.

### Internal Soft-Start

The soft-start is implemented to prevent the converter output voltage from overshooting during startup. When the chip starts, the internal circuitry generates a soft-start voltage (SS) ramping up from 0V to 0.6V. When it is lower than the internal reference (REF), SS overrides REF so the error amplifier uses SS as the reference. When SS is higher than REF, REF regains control. The SS time is internally to 1ms.

### Startup and Shutdown

If both  $V_{IN}$  and EN are higher than their appropriate thresholds, the chip starts. The reference block starts first, generating stable reference voltage and currents, and then the internal regulator is enabled. The regulator provides stable supply for the remaining circuitries. Three events can shut down the chip: EN low, VIN low and thermal shutdown. In the shutdown procedure, the signaling path is first blocked to avoid any fault triggering. The comp voltage and the internal supply rail are then pulled down. The floating driver is not subject to this shutdown command.



# 5.5V 2A 1.2MHz Synchronous Step-Down Regulator

## Applications Information

### Setting the Output Voltage

RY8027 require an input capacitor, an output capacitor and an inductor. These components are critical to the performance of the device. RY8027 are internally compensated and do not require external components to achieve stable operation. The output voltage can be programmed by resistor divider.

$$V_{OUT} = V_{FB} \times \frac{R1 + R2}{R2}$$

When sizing R2, in order to achieve low current consumption and acceptable noise sensitivity, use a maximum of 200kΩ for R2. Larger currents through R2 improve noise sensitivity and output voltage accuracy but increase current consumption.

| V <sub>OUT</sub> (V) | R1(KΩ) | R2(KΩ) | L1(μH) | C <sub>IN</sub> (μF) | C <sub>OUT</sub> (μF) | C <sub>FF</sub> (pF) Opt.     |
|----------------------|--------|--------|--------|----------------------|-----------------------|-------------------------------|
| 1.0                  | 66.67  | 100    | 2.2    | 22                   | 22×2                  | <u>C<sub>FF</sub> Chapter</u> |
| 1.05                 | 75.00  | 100    | 2.2    | 22                   | 22×2                  | <u>C<sub>FF</sub> Chapter</u> |
| 1.2                  | 100.00 | 100    | 2.2    | 22                   | 22×2                  | <u>C<sub>FF</sub> Chapter</u> |
| 1.5                  | 150.00 | 100    | 2.2    | 22                   | 22×2                  | <u>C<sub>FF</sub> Chapter</u> |
| 1.8                  | 200.00 | 100    | 3.3    | 22                   | 22×2                  | <u>C<sub>FF</sub> Chapter</u> |
| 2.5                  | 316.67 | 100    | 3.3    | 22                   | 22×2                  | <u>C<sub>FF</sub> Chapter</u> |
| 3.3                  | 450.00 | 100    | 4.7    | 22                   | 22×2                  | <u>C<sub>FF</sub> Chapter</u> |

All the external components are the suggested values, the final values are based on the application testing results.

### Selecting the Inductor

The recommended inductor values are shown in the Application Diagram. It is important to guarantee the inductor core does not saturate during any foreseeable operational situation. The inductor should be rated to handle the maximum inductor peak current: Care should be taken when reviewing the different saturation current ratings that are specified by different manufacturers. Saturation current ratings are typically specified at 25°C, so ratings at maximum ambient temperature of the application should be requested from the manufacturer. The inductor value can be calculated with:

$$L = \frac{V_{OUT} \times (V_{IN} - V_{OUT})}{V_{IN} \times \Delta I_L \times F_{OSC}}$$

Where ΔI<sub>L</sub> is the inductor ripple current. Choose inductor ripple current to be approximately 30% to 40% of the maximum load current. The maximum inductor peak current can be estimated as:

$$I_{L(MAX)} = I_{LOAD} + \frac{\Delta I_L}{2}$$

Under light load conditions below 100mA, larger inductance is recommended for improved efficiency. Larger inductances lead to smaller ripple currents and voltages, but they also have larger physical dimensions, lower saturation currents and higher linear impedance. Therefore, the choice of inductance should be compromised

## 5.5V 2A 1.2MHz Synchronous Step-Down Regulator

according to the specific application.

### Selecting the Input Capacitor

The input current to the step-down converter is discontinuous and therefore requires a capacitor to supply AC current to the step-down converter while maintaining the DC input voltage. For a better performance, use ceramic capacitors placed as close to VIN as possible and a 0.1μF input capacitor to filter out high frequency interference is recommended. Capacitors with X5R and X7R ceramic dielectrics are recommended because they are stable with temperature fluctuations.

The capacitors must also have a ripple current rating greater than the maximum input ripple current of the converter. The input ripple current can be estimated with Equation:

$$I_{CIN} = I_{OUT} \times \sqrt{\frac{V_{OUT}}{V_{IN}} \times \left(1 - \frac{V_{OUT}}{V_{IN}}\right)}$$

From the above equation, it can be concluded that the input ripple current reaches its maximum at  $V_{IN}=2V_{OUT}$  where  $I_{CIN} = \frac{I_{OUT}}{2}$ . For simplification, choose an input capacitor with an RMS current rating greater than half of the maximum load current.

The input capacitance value determines the input voltage ripple of the converter. If there is an input voltage ripple requirement in the system, choose the input capacitor that meets the specification. The input voltage ripple can be estimate with Equation:

$$\Delta V_{IN} = \frac{I_{OUT}}{F_{OSC} \times C_{IN}} \times \frac{V_{OUT}}{V_{IN}} \times \left(1 - \frac{V_{OUT}}{V_{IN}}\right)$$

Similarly, when  $V_{IN}=2V_{OUT}$ , input voltage ripple reaches its maximum of  $\Delta V_{IN} = \frac{1}{4} \times \frac{I_{OUT}}{F_{OSC} \times C_{IN}}$ .

### Selecting the Output Capacitor

An output capacitor is required to maintain the DC output voltage. The output voltage ripple can be estimated with Equation:

$$\Delta V_{OUT} = \frac{V_{OUT}}{F_{OSC} \times L} \times \left(1 - \frac{V_{OUT}}{V_{IN}}\right) \times \left(R_{ESR} + \frac{1}{8 \times F_{OSC} \times C_{OUT}}\right)$$

There are some differences between different types of capacitors. In the case of ceramic capacitors, the impedance at the switching frequency is dominated by the capacitance. The output voltage ripple is mainly caused by the capacitance. For simplification, the output voltage ripple can be estimated with Equation:

$$\Delta V_{OUT} = \frac{V_{OUT}}{8 \times F_{OSC}^2 \times L \times C_{OUT}} \times \left(1 - \frac{V_{OUT}}{V_{IN}}\right)$$

A larger output capacitor can achieve a better load transient response, but the maximum output capacitor limitation should also be considered in the design application. If the output capacitor value is too high, the output voltage will not be able to reach the design value during the soft-start time and will fail to regulate. The maximum output capacitor value ( $C_{OUT\_MAX}$ ) can be limited approximately with Equation:

## 5.5V 2A 1.2MHz Synchronous Step-Down Regulator

$$C_{OUT\_MAX} = (I_{LIM\_AVG} - I_{OUT}) \times T_{SS}/V_{OUT}$$

Where  $I_{LIM\_AVG}$  is the average start-up current during the soft-start period, and  $T_{SS}$  is the soft- start time.

On the other hand, special attention should be paid when selecting these components. The DC bias of these capacitors can result in a capacitance value that falls below the minimum value given in the recommended capacitor specifications table.

The ceramic capacitor's actual capacitance can vary with temperature. The capacitor type X7R, which operates over a temperature range of  $-55^{\circ}\text{C}$  to  $+125^{\circ}\text{C}$ , will only vary the capacitance to within  $\pm 15\%$ . The capacitor type X5R has a similar tolerance over a reduced temperature range of  $-55^{\circ}\text{C}$  to  $+85^{\circ}\text{C}$ . Many large value ceramic capacitors, larger than  $1\mu\text{F}$  are manufactured with Z5U or Y5V temperature characteristics. Their capacitance can drop by more than 50% as the temperature varies from  $25^{\circ}\text{C}$  to  $85^{\circ}\text{C}$ . Therefore, X5R or X7R is recommended over Z5U and Y5V in applications where the ambient temperature will change significantly above or below  $25^{\circ}\text{C}$ .

### Feed-Forward Capacitor ( $C_{FF}$ )

RY8027 has internal loop compensation, so adding  $C_{FF}$  is optional. Specifically, for specific applications, if necessary, consider whether to add feed-forward capacitors according to the situation.

The use of a feed-forward capacitor ( $C_{FF}$ ) in the feedback network is to improve the transient response or higher phase margin. For optimizing the feed-forward capacitor, knowing the cross frequency is the first thing. The cross frequency (or the converter bandwidth) can be determined by using a network analyzer. When getting the cross frequency with no feed-forward capacitor identified, the value of feed-forward capacitor ( $C_{FF}$ ) can be calculated with the following Equation:

$$C_{FF} = \frac{1}{2\pi \times F_{CROSS}} \times \sqrt{\frac{1}{R1} \times \left(\frac{1}{R1} + \frac{1}{R2}\right)}$$

Where  $F_{CROSS}$  is the cross frequency.

To reduce transient ripple, the feed-forward capacitor value can be increased to push the cross frequency to higher region. Although this can improve transient response, it also decreases phase margin and cause more ringing. In the other hand, if more phase margin is desired, the feed-forward capacitor value can be decreased to push the cross frequency to lower region.

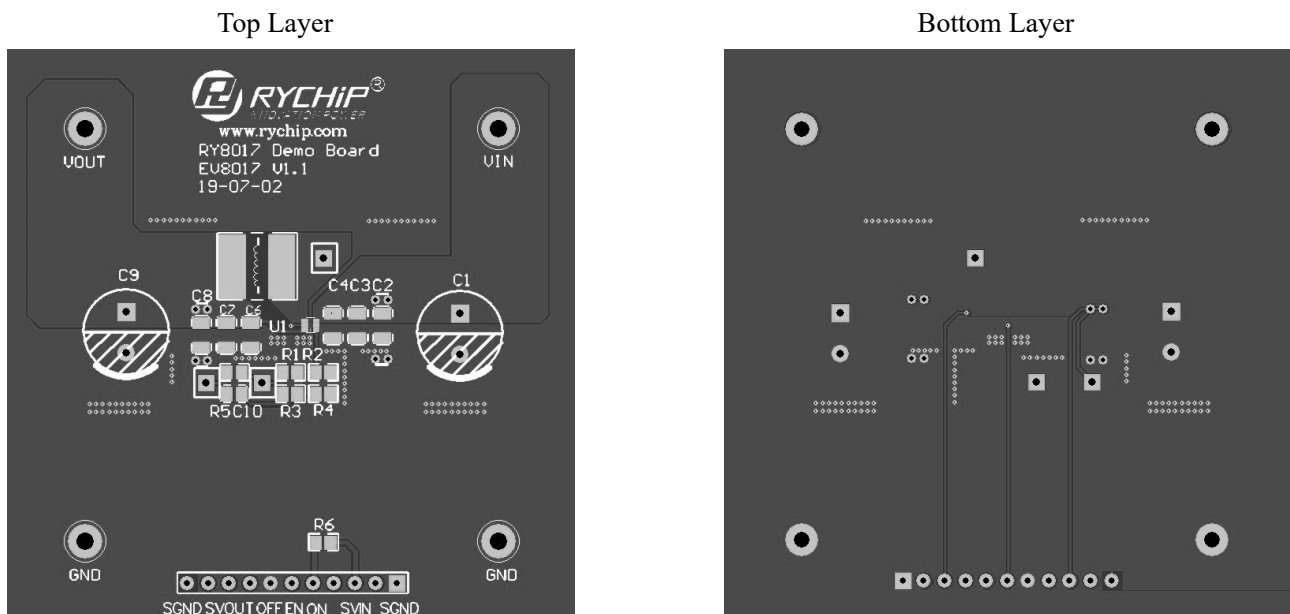
# 5.5V 2A 1.2MHz Synchronous Step-Down Regulator

## PC Board Layout Consideration

PCB layout is very important to achieve stable operation. It is highly recommended to duplicate EVB layout for optimum performance. If change is necessary, please follow these guidelines for reference.

1. Keep the path of switching current short and minimize the loop area formed by Input capacitor, high-side MOSFET and low-side MOSFET.
2. Bypass ceramic capacitors are suggested to be put close to the  $V_{IN}$  Pin.
3. Ensure all feedback connections are short and direct. Place the feedback resistors and compensation components as close to the chip as possible.
4.  $V_{OUT}$ , SW away from sensitive analog areas such as FB.

Connect IN, SW, and especially GND respectively to a large copper area to cool the chip to improve thermal performance and long-term reliability.

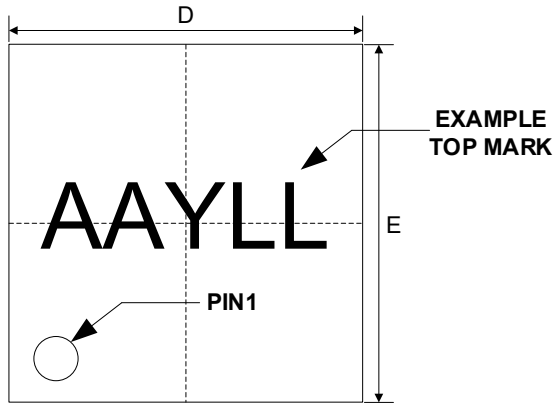


Sample Board Layout

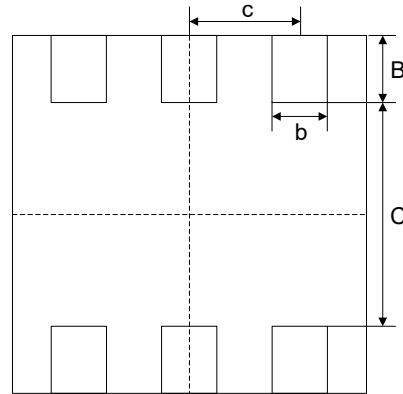
# 5.5V 2A 1.2MHz Synchronous Step-Down Regulator

## Package Description

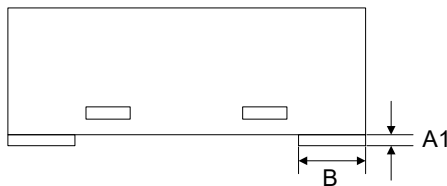
SON763 (1.6mm×1.6mm)



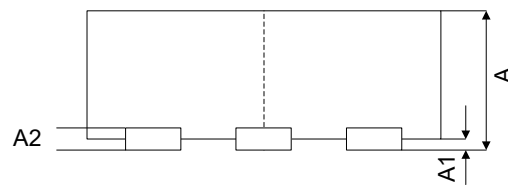
TOP VIEW



BOTTOM VIEW

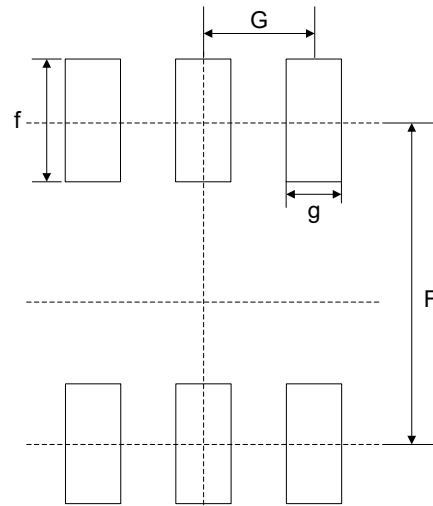


SIDE VIEW A



SIDE VIEW B

| SYMBOL | MILLIMETER |      |      |
|--------|------------|------|------|
|        | MIN        | NOM  | MAX  |
| A      | 0.72       | 0.76 | 0.80 |
| A1     | 0.00       | 0.03 | 0.05 |
| A2     | 0.08       | 0.13 | 0.18 |
| B      | 0.20       | 0.30 | 0.40 |
| b      | 0.17       | 0.22 | 0.27 |
| C      |            | 1.00 |      |
| c      |            | 0.50 |      |
| D      | 1.50       | 1.60 | 1.70 |
| E      | 1.50       | 1.60 | 1.70 |
| F      |            | 1.40 |      |
| f      |            | 0.55 |      |
| G      |            | 0.50 |      |
| g      |            | 0.30 |      |



RECOMMENDED LAND PATTERN

**NOTE:**

- CONTROL DIMENSION IS IN INCHES. DIMENSION IN BRACKET IS IN MILLIMETERS.
- PACKAGE LENGTH DOES NOT INCLUDE MOLD FLASH, PROTRUSIONS OR GATE BURRS.
- PACKAGE WIDTH DOES NOT INCLUDE INTERLEAD FLASH OR PROTRUSIONS.
- LEAD COPLANARITY (BOTTOM OF LEADS AFTER FORMING) SHALL BE 0.004" INCHES MAX.
- DRAWING CONFORMS TO JEDEC MS-012, VARIATION BA.
- DRAWING IS NOT TO SCALE.

## X-ON Electronics

Largest Supplier of Electrical and Electronic Components

*Click to view similar products for [Switching Controllers](#) category:*

*Click to view products by [RYCHIP](#) manufacturer:*

Other Similar products are found below :

[NCP1218AD65R2G](#) [NCP1244BD065R2G](#) [NCP1336ADR2G](#) [NCP6153MNTWG](#) [NCP81101BMNTXG](#) [NCP81205MNTXG](#) [SJE6600](#)  
[AZ7500BMTR-E1](#) [SG3845DM](#) [NCP1250BP65G](#) [NCP4204MNTXG](#) [NCP6132AMNR2G](#) [NCP81102MNTXG](#) [NCP81206MNTXG](#)  
[NCP1240AD065R2G](#) [NCP1240FD065R2G](#) [NCP1361BABAYSNT1G](#) [NCP1230P100G](#) [NX2124CSTR](#) [SG2845M](#) [NCP1366BABAYDR2G](#)  
[NCP81101MNTXG](#) [NCP81174NMNTXG](#) [NCP4308DMTTWG](#) [NCP4308AMTTWG](#) [NCP1366AABAYDR2G](#) [NCP1251FSN65T1G](#)  
[NCP1246BLD065R2G](#) [MB39A136PFT-G-BND-ERE1](#) [NCP1256BSN100T1G](#) [LV5768V-A-TLM-E](#) [NCP1365BABCYDR2G](#)  
[NCP1365AABCYDR2G](#) [NCP1246ALD065R2G](#) [AZ494AP-E1](#) [CR1510-10](#) [NCP4205MNTXG](#) [ISL69158IRAZ-T7A](#) [XRP6141ELTR-F](#)  
[RY8017](#) [LP6260SQVF](#) [LP6298QVF](#) [ISL6121LIB](#) [ISL6225CA](#) [ISL6244HRZ](#) [ISL6268CAZ](#) [ISL6315IRZ](#) [ISL6420AIAZ-TK](#) [ISL6420AIRZ](#)  
[ISL6420IAZ](#)