

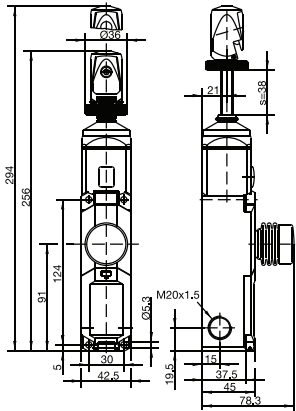
# Safety Cable Pull Switches



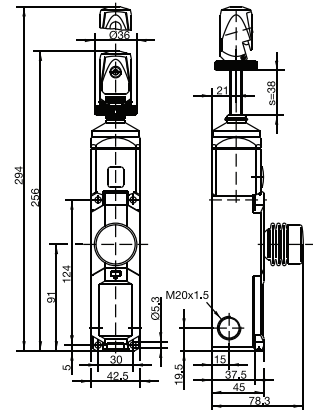
## SR Series - Safety Rope Pull Switches



Quick Fix with E-Stop & Reset



Quick Fix with Reset Only



Max. span length	2 NC/2 NO	4 NO	2 NC/2 NO	4 NC
82 Ft. (25 Meters)	<b>601.1629.067</b> SR-U2Z-NA-QF-100-L0-0-0	<b>601.1691.077</b> SR-A4Z-NA-QF-100-L0-0-0	<b>601.1629.070</b> SR-U2Z-0-QF-100-L0-0-0	<b>601.1691.080</b> SR-A4Z-0-QF-100-L0-0-0
	Replaces <b>601.1629.031</b> SR-U2Z-NA-QF 100	Replaces <b>601.1691.052</b> SR-A4Z-NA-QF 100	Replaces <b>601.1629.032</b> SR-U2Z-QF 100	Replaces <b>601.1691.049</b> SR-A4Z-QF 100
123 Ft. (37.5 Meters)	<b>601.1629.068</b> SR-U2Z-NA-QF-175-L0-0-0	<b>601.1691.078</b> SR-A4Z-NA-QF-175-L0-0-0	<b>601.1629.071</b> SR-U2Z-0-QF-175-L0-0-0	<b>601.1691.081</b> SR-A4Z-0-QF-175-L0-0-0
	Replaces <b>601.1629.027</b> SR-U2Z-NA-QF 175	Replaces <b>601.1691.053</b> SR-A4Z-NA-QF 175	Replaces <b>601.1629.024</b> SR-U2Z-QF 175	Replaces <b>601.1691.050</b> SR-A4Z-QF 175
246 Ft. (75 Meters)	<b>601.1629.069</b> SR-U2Z-NA-QF-300-L0-0-0	<b>601.1691.079</b> SR-A4Z-NA-QF-300-L0-0-0	<b>601.1629.072</b> SR-U2Z-0-QF-300-L0-0-0	<b>601.1691.082</b> SR-A4Z-0-QF-300-L0-0-0
	Replaces <b>601.1629.019</b> SR-U2Z-NA-QF 300	Replaces <b>601.1691.054</b> SR-A4Z-NA-QF 300	Replaces <b>601.1629.028</b> SR-U2Z-QF 300	Replaces <b>601.1691.051</b> SR-A4Z-QF 300

Approvals	UL C US	BG	UL C US	BG

### Technical data

Electrical data		
Rated insulation voltage	U <sub>i</sub> max.	250 V AC
Rated operating voltage	U <sub>e</sub> max.	240 V
Conventional thermal current	I <sub>the</sub>	10 A
Utilization category	U <sub>e</sub> / I <sub>e</sub>	AC-15, U <sub>e</sub> / I <sub>e</sub> 240 V / 3 A
Short-circuit protection		6 A gL/gG
Protection class		II, Insulated
Mechanical data		
Enclosure		PA 6 GV (UL94-V0)
Ambient temperature		-25°C to +70°C
Mechanical service life		100,000 Cycles
Switching frequency max.		≤ 20 / min.
Mounting		4 x M5
B10d		10,000
Type of connection		Cage clamp terminal
Conductor cross sections		≤ 1.5 - 2 mm <sup>2</sup>
Cable entry		3 x M20 x 1.5
Protection class		IP67 conforming to IEC/EN 60529
Standards		
VDE 0660 T100, DIN EN 60947-1, IEC 60947-1		
VDE 0660 T200, DIN EN 60947-5-1, IEC 60947-5-1		
VDE 0660 T210, DIN EN 60947-5-5, IEC 60947-5-5		
ISO 13850		

Drawing dimensions in mm

## X-ON Electronics

Largest Supplier of Electrical and Electronic Components

*Click to view similar products for [Control Switches](#) category:*

*Click to view products by [Altech](#) manufacturer:*

Other Similar products are found below :

[80887-99](#) [80932-99](#) [86855-00](#) [88814-30](#) [89721-12](#) [89804-08](#) [EX0011-1](#) [SSN](#) [RL01801](#) [50051857-17](#) [50099156-001-05](#) [51.155R-15200](#)  
[50058920-26](#) [KMK-PA](#) [RAL9005](#) [M16](#) [ACCU-SC/L-3000](#) [PORTAPRO](#) [CFPS-73-48M](#) [WEL.PT-O6](#) [WEL.PT-L8](#) [WEL.PT-K7](#) [WEL.PT-](#)  
[H7](#) [WEL.PT-E9](#) [WEL.PT-D7](#) [WEL.PT-B7](#) [WEL.PT-AA9](#) [WEL.PT-AA8](#) [WEL.PT-A8](#) [WEL.LT-F](#) [WEL.LT-4](#) [WEL.LT-1LX](#) [WEL.LT-1L](#)  
[WEL.ET-BB](#) [WEL.CT5B7](#) [WEL.51361699](#) [RGFRA1903041A1T](#) [PLC-60/75](#) [PLC-30/40](#) [PLC-24/30](#) [PLC-40/55](#) [LOC-MIKSER2](#) [8522808](#)  
[CC-100N](#) [V8Y-11Z-Y](#) [V8Y-11Z-R](#) [V8Y-11Z-O](#) [V8Y-11Z-24R](#) [V8Y-11Z-24O](#) [V8Y-11Z-230B](#) [V8Y-11-230W](#) [V8Y-11-230O](#)