

Single Covered Foot Switches



Single Pedal With Cover

STANDARD



Standard OFF-ON Operation - Push pedal to change contact state. Release pedal to return to original state.

TWO STAGE OPERATION

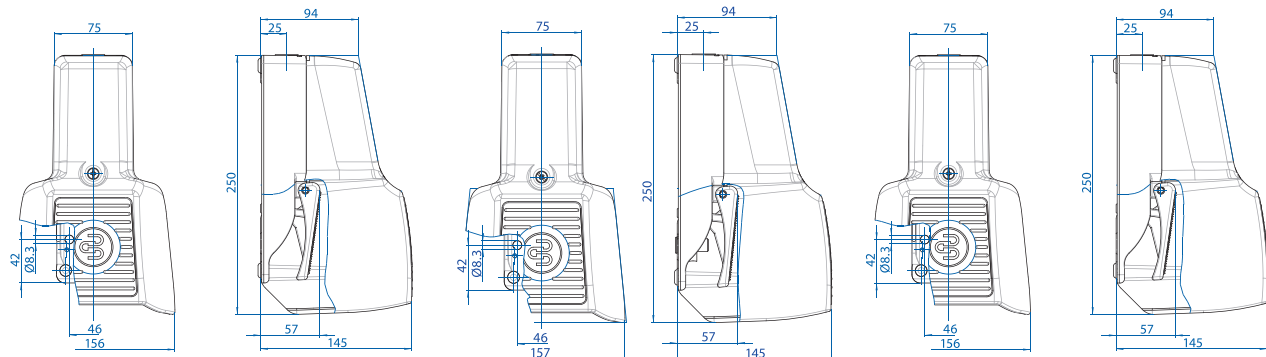


Two Stage Operation- Press Pedal to change the state of the first set of contacts. Continue to press further to change the second set of contacts.

LATCHING



Latching Operation - Push pedal to change contact state. When you release the pedal, the contacts remain in that state. Push again to return to original state.



Single pedal foot switch F1			
Article number	Cable entry	Designation	Switching contacts
Snap-action contact:			
			Pedal 1
606.1800.012	1 x M20	F1-SU1Z UN	1NC / 1NO
606.1900.062	1 x M20	F1-SU2Z UN	2NC / 2NO
Slow-action contact (IP65 Protection Rating):			
			Pedal 1
606.1600.006	1 x M20	F1-U1Z UN	1NC / 1NO
606.1700.004	1 x M20	F1-U2Z UN	2NC / 2NO
Slow-action contact (IP67 Protection Rating):			
			Pedal 1
606.1600.538	1 x M20	F1-U1Z UN	1NC / 1NO
606.1600.345	3 x M20	F1-U1Z UN	1NC / 1NO

Single pedal foot switch F1			
Article number	Designation	Switching contacts	Pressure point
Snap-action contact:			
		Pedal 1	Pedal 1
616.1800.073	F1-SU1ZD UN	1NC / 1NO	200 N
606.1900.433	F1-SU2ZD UN	2NC / 2NO	200 N
Slow-action contact:			
			Pedal 1
606.1600.010	F1-U1ZD UN	1NC / 1NO	200 N
606.1700.008	F1-U2ZD UN	2NC / 2NO	200 N

Single pedal foot switch F1		
Article number	Designation	Switching contacts
Snap-action contact:		
		Pedal 1
616.1800.247	F1-SU1Y UN	1NC / 1NO
Slow-action contact:		
616.1600.295	F1-U1Y UN	1NC / 1NO

Drawing dimensions in mm

X-ON Electronics

Largest Supplier of Electrical and Electronic Components

Click to view similar products for [Control Switches](#) category:

Click to view products by [Altech](#) manufacturer:

Other Similar products are found below :

[80887-99](#) [80932-99](#) [86855-00](#) [88814-30](#) [89721-12](#) [89804-08](#) [EX0011-1](#) [SSN](#) [RL01801](#) [50051857-17](#) [50099156-001-05](#) [51.155R-15200](#)
[50058920-26](#) [KMK-PA](#) [RAL9005](#) [M16](#) [ACCU-SC/L-3000](#) [PORTAPRO](#) [CFPS-73-48M](#) [WEL.PT-O6](#) [WEL.PT-L8](#) [WEL.PT-K7](#) [WEL.PT-](#)
[H7](#) [WEL.PT-E9](#) [WEL.PT-D7](#) [WEL.PT-B7](#) [WEL.PT-AA9](#) [WEL.PT-AA8](#) [WEL.PT-A8](#) [WEL.LT-F](#) [WEL.LT-4](#) [WEL.LT-1LX](#) [WEL.LT-1L](#)
[WEL.ET-BB](#) [WEL.CT5B7](#) [WEL.51361699](#) [RGFRA1903041A1T](#) [PLC-60/75](#) [PLC-30/40](#) [PLC-24/30](#) [PLC-40/55](#) [LOC-MIKSER2](#) [8522808](#)
[CC-100N](#) [V8Y-11Z-Y](#) [V8Y-11Z-R](#) [V8Y-11Z-O](#) [V8Y-11Z-24R](#) [V8Y-11Z-24O](#) [V8Y-11Z-230B](#) [V8Y-11-230W](#) [V8Y-11-230O](#)