

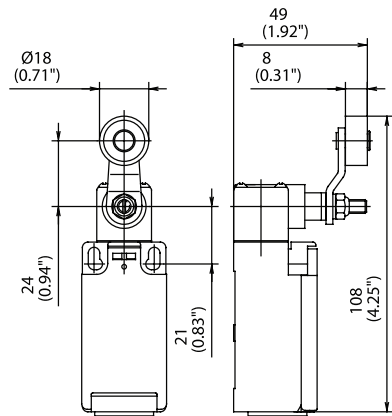
Enclosed Plastic Body Limit Switches



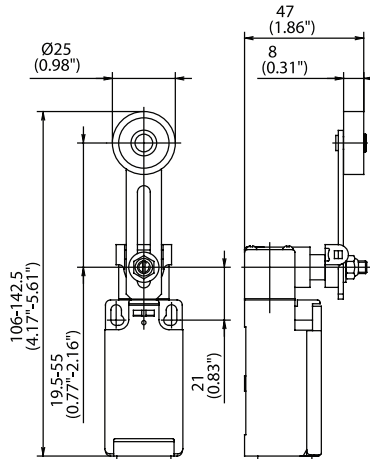
I88 Series



AH (Form A)



AV



Switching Operation	Slow Action	Snap Action
1 NC / 1 NO Contacts	608.6135.033 I88-U1Z AH 	608.6185.034 I88-SU1Z AH
2 NC Contacts	608.6835.059 I88-A2Z AH 	-
2 NO Contacts	608.6835.116 I88-E2 AH 	-
1 NC / 1 NO Contacts Overlapping	618.6335.628 I88-UV1Z AH 	-

Slow Action	Snap Action
608.6136.037 I88-U1 AV 	608.6186.038 I88-SU1 AV
608.6836.131 I88-A2 AV 	-
-	-
-	-

Replacement actuator:	391.8351.166	
Technical Information	Slow Action	Snap Action
Maximum Switching Voltage	240V	240V
Max. Switching Amps (up to)*	10A	10A
B10d (up to)*	20 Million	20 Million
Mechanical Service Life (up to)*	10 x 10 ⁶	10 x 10 ⁶
Switching Frequency	≤ 100/min	≤ 100/min
Operating Temperature	-30 °C to +80 °C	-30 °C to +80 °C
Protection Rating	IP65	IP65
Utilization Category (up to)*	AC-15, Ue/Ue 240V 3A	AC-15, Ue/Ue 240V 3A
Rate Insulation Voltage	250VAC	250VAC

391.8360.984	
Slow Action	Snap Action
240V	240V
10A	10A
20 Million	20 Million
10 x 10 ⁶	10 x 10 ⁶
≤ 100/min	≤ 100/min
-30 °C to +80 °C	-30 °C to +80 °C
IP65	IP65
AC-15, Ue/Ue 240V 3A	AC-15, Ue/Ue 240V 3A
250VAC	250VAC

Approvals

* Depending on switching system - see technical information for details



Special features/variants (on request)

- Available with black enclosure
- Available with different actuating directions
- With steel or different diameter roller
- Bent or straight lever in different lengths

Special features/variants (on request)

- Available with black enclosure
- Available with different actuating directions
- With steel or different diameter roller
- Bent or straight lever in different lengths

Drawing dimensions in mm

X-ON Electronics

Largest Supplier of Electrical and Electronic Components

Click to view similar products for [Limit Switches](#) category:

Click to view products by [Altech](#) manufacturer:

Other Similar products are found below :

[6LS2-4PG](#) [5ML1-E1](#) [5ML31](#) [LZG1](#) [LZL1-6C](#) [622EN114-R](#) [622EN18-6](#) [622EN224-6B](#) [622EN230](#) [622EN237-R](#) [622EN69-3](#) [622EN85-RB](#)
[MA-10019](#) [6PA109](#) [7LS51](#) [83547001](#) [83725002](#) [83830001](#) [83840001](#) [83840701](#) [83841001](#) [83870104](#) [83881140](#) [8AS42](#) [8LS10](#) [8LS125-](#)
[4PG](#) [8LS152-4PGN20](#) [914CE16-3A](#) [914CE16-AQ](#) [914CE3-3L1](#) [915PA10](#) [91MCE16-P2O](#) [924CE16-Y3](#) [924CE1-S6](#) [924CE1-T25A](#)
[924CE1-T3](#) [924CE1-T9A](#) [924CE2-T9](#) [924CE31-Y20-X5](#) [924CE31-Y3L1](#) [GL-10054](#) [GL-85710](#) [GL-85714](#) [GLAB26J2B](#) [GLDB03C-6](#)
[GLZ324](#) [PS21R-NT11N7-YK0](#) [D4A-1106N](#) [D4A1201N](#) [D4A-3E02N](#)