

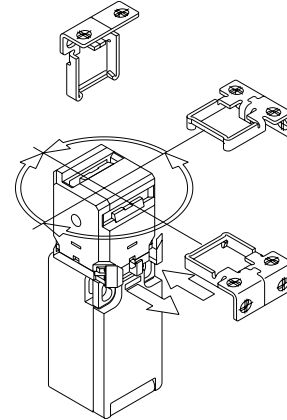
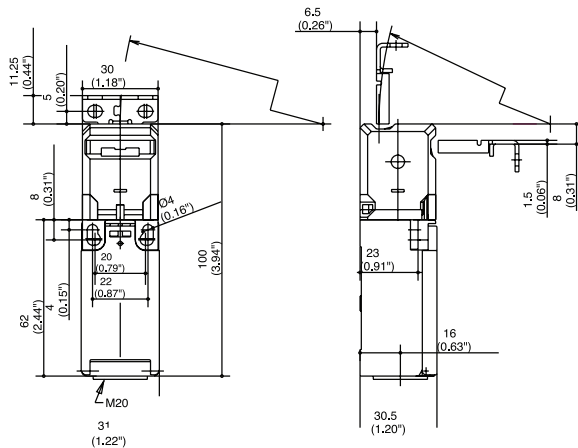
# Safety Switches with Actuator Key



## SKI Series



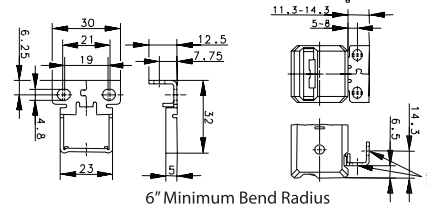
### SKI



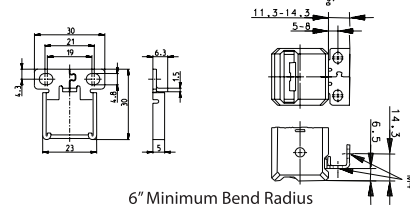
Switching Operation	Slow Action	High Activation Force	Radius Activation
<b>1 NC / 1 NO Contacts</b>	<b>601.6819.052</b> SKI-U1Z M3 	<b>601.6819.139</b> SKI-U1Z FI50 M3 	<b>601.6819.123</b> SKI-U1Z MRU 
<b>1 NC Contacts</b>	-	-	-
<b>2 NC Contacts</b>	<b>601.6869.056</b> SKI-A2Z M3 	-	<b>601.6869.122</b> SKI-A2Z MRU 
<b>2 NC / 1 NO Contacts Overlapping</b>	<b>601.6869.058</b> SKI-UV15Z M3 	<b>601.6869.145</b> SKI-UV15Z FI50 M3 	<b>601.6869.131</b> SKI-UV15Z MRU 

### Replacement actuator keys:

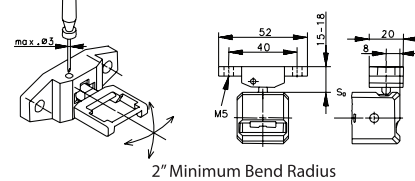
#### M3 ACTUATOR KEY 311.2850.340



#### M2 ACTUATOR KEY 311.2850.345



#### MRU ACTUATOR KEY 391.1452.058



### Technical Information

	Slow Action	High Activation Force	Radius Activation
Maximum Switching Voltage	240V	240V	240V
Max. Switching Amps (up to)*	10A	10A	10A
B10d (up to)*	20 Million	20 Million	20 Million
Mechanical Service Life (up to)*	10 x 10 <sup>6</sup>	10 x 10 <sup>5</sup>	10 x 10 <sup>6</sup>
Switching Frequency	≤ 30/min	≤ 30/min	≤ 30/min
Operating Temperature	-30 °C to +80 °C	-30 °C to +80 °C	-30 °C to +80 °C
Protection Rating	IP65	IP65	IP65
Utilization Category (up to)*	AC-15, Ue/Ue 240V 3A	AC-15, Ue/Ue 240V 3A	AC-15, Ue/Ue 240V 3A
Rate Insulation Voltage	250VAC	250VAC	250VAC

\* Depending on switching system - see technical information for details



## X-ON Electronics

Largest Supplier of Electrical and Electronic Components

*Click to view similar products for [Keylock Switches](#) category:*

*Click to view products by [Altech](#) manufacturer:*

Other Similar products are found below :

[89496-09](#) [89638-00](#) [58J9A90-01C02N](#) [719-0022-020](#) [719-0122-000](#) [719-0201-000](#) [719-0202-000](#) [719-0702-000](#) [84800-04](#) [88521-00](#)  
[GKNC33L](#) [GKNC3L](#) [PVA2OAH5](#) [14-136.025K](#) [14-235.022K](#) [AS6H-2K2A](#) [AS6M-2K1B](#) [1571487-1](#) [HW4K-2BF20](#) [JD7510H](#)  
[K6SLYE1.55NL327SD](#) [KH3C-20C](#) [89638-05](#) [A028301](#) [A165K-J2AL-2](#) [A165K-J2M-2](#) [A165K-J3AMR](#) [A165K-J3M](#) [205389 \(PAYGUARD](#)  
[BUTTON PAD\)](#) [2SWK131AL102](#) [30PA39-AML](#) [LW6MJ-2C64WWB](#) [AS6M-2K1A](#) [51-401.036D](#) [51-401.036K](#) [51-414.036D](#) [HW1K-](#)  
[3HF20](#) [4370039](#) [Y1112-2027CLFT](#) [4B01H322NCFQ](#) [51-155.025D](#) [51-195.025D](#) [51-378.AD](#) [51-404.036D](#) [51-405.036D](#) [51-415.036D](#) [1-](#)  
[1437597-8](#) [86945-05](#) [88169-05](#) [719-0204-000](#)