

Safety Hinged Switches

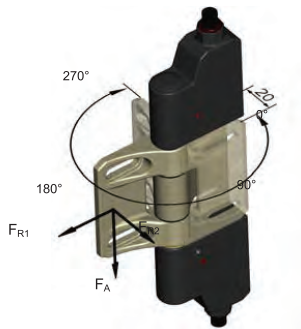


SHS3 Double Series

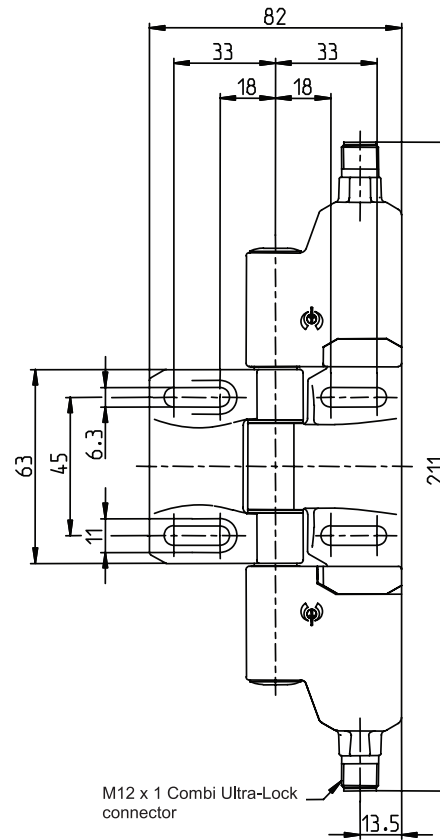
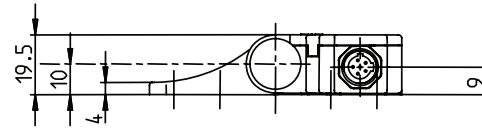


Double hinge

Thanks to its two switching elements on one hinge, the BG (occupational health and safety)-approved variant of the SHS3 provides two independently adjustable switching points. This arrangement not only makes it possible to monitor the opening of a safety guard but also the direction of opening of swing doors.



swivel range: 0° to 270°



Product selection for stainless steel version

Article number	Designation	Switching contact	Max. switching voltage	Type of voltage	Type of connection and direction	Required cable coupling / type	Mounting
					radial	axial	
601.9390.046	SHS3-2-SA/2-SA	2 x 2NC	230 V	AC/DC		M12	2 x E Both sides
601.9390.047	SHS3-5-SA/5-SA	2 x 1NC/1NO	230 V	AC/DC		M12	2 x E Both sides
601.9390.048	SHS3-7-KA5/7-KA5	2 x 1NC/1NO	230 V	AC/DC		Cable	Both sides
601.9390.039	SHS3-7-SA/7-SA	2 x 2NC/1NO	230 V	AC/DC		M12	2 x D Both sides
601.9390.068	SHS3-7-KA-IPX/7-KA5-IPX*	2 x 2NC/1NO	230 V	AC/DC		M12	2 x D Both sides
601.9390.038	SHS3-HINGE (blank hinge)						Both sides

*IP69-K

Drawing dimensions in mm

X-ON Electronics

Largest Supplier of Electrical and Electronic Components

Click to view similar products for [Control Switches](#) category:

Click to view products by [Altech](#) manufacturer:

Other Similar products are found below :

[80887-99](#) [80932-99](#) [86855-00](#) [88814-30](#) [89721-12](#) [89804-08](#) [EX0011-1](#) [SSN](#) [RL01801](#) [50051857-17](#) [50099156-001-05](#) [51.155R-15200](#)
[50058920-26](#) [KMK-PA](#) [RAL9005](#) [M16](#) [ACCU-SC/L-3000](#) [PORTAPRO](#) [CFPS-73-48M](#) [WEL.PT-O6](#) [WEL.PT-L8](#) [WEL.PT-K7](#) [WEL.PT-](#)
[H7](#) [WEL.PT-E9](#) [WEL.PT-D7](#) [WEL.PT-B7](#) [WEL.PT-AA9](#) [WEL.PT-AA8](#) [WEL.PT-A8](#) [WEL.LT-F](#) [WEL.LT-4](#) [WEL.LT-1LX](#) [WEL.LT-1L](#)
[WEL.ET-BB](#) [WEL.CT5B7](#) [WEL.51361699](#) [RGFRA1903041A1T](#) [PLC-60/75](#) [PLC-30/40](#) [PLC-24/30](#) [PLC-40/55](#) [LOC-MIKSER2](#) [8522808](#)
[CC-100N](#) [V8Y-11Z-Y](#) [V8Y-11Z-R](#) [V8Y-11Z-O](#) [V8Y-11Z-24R](#) [V8Y-11Z-24O](#) [V8Y-11Z-230B](#) [V8Y-11-230W](#) [V8Y-11-230O](#)