

"ILLUMINATER™ " SERIES SEALED ROCKER SWITCHES

DESCRIPTION

The new Illuminater series of front panel mounted rocker switches are sealed to meet the watertight requirements of MIL-STD-108E. Product variations are with standard or locking rocker Actuator, and single or double pole switching with multi-circuits. A variety of accessory items are also available. This product is ideally suited for use in harsh environmental applications.

DESIGN FEATURES

- Front panel mounted
- Totally sealed switching chamber
- Various circuit variations
- Keyed assembly - actuator to bezel and base to connector
- Removable rocker button
- One or two lamp capability
- Full size clear lens with non-glare surface
- Icons located beneath lens surface (high wearability)
- Diffusion lens alters icon background lighting
- Minimum light leakage
- Various locking styles available
- Matte black textured finish on bezel/actuator
- Molded-in terminal identification
- Molded-in orientation mark

SPECIFICATIONS

- Watertight per MIL-STD-108E
- Temperature range: -40°F to +160°F (-40°C to +71°C)
- Dielectric strength 1800 V RMS @ sea level
- Life: 50,000 cycles min. electrical; 100,000 cycles min. mechanical
- Silver plated contact - standard
- Flame retardant thermoplastic bezel and base
- Stainless steel mounting clips



ACCESSORIES

- Indicator light assembly (see page C7)
- Filler plug (see page C6)
- Connector (see page C7)
- Gang mounting system

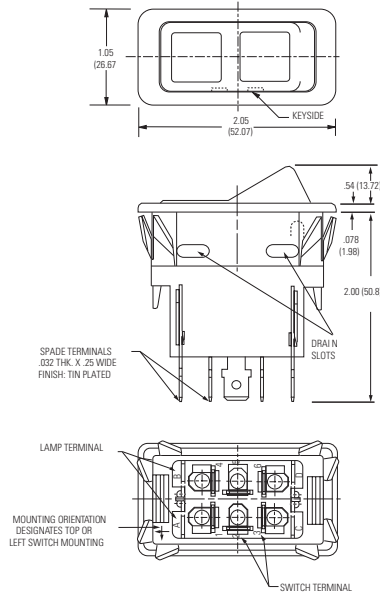
OPTIONS

- Non-Illuminated switch
- Gold plated contacts

"ILLUMINATER™" SERIES ENGINEERING DATA

SINGLE POLE ELECTRICAL RATINGS							DOUBLE POLE ELECTRICAL RATINGS						
Type of Operation	6 & 14VDC			28VDC			Type of Operation	6 & 14VDC			28VDC		
	Resistive Load	Inductive Load	Lamp Load	Resistive Load	Inductive Load	Lamp Load		Resistive Load	Inductive Load	Lamp Load	Resistive Load	Inductive Load	Lamp Load
Maintained	25	15	75	20	15	5	Maintained	30	20	10	20	15	7
Momentary	20	10	6	15	10	4	Momentary	25	15	75	18	10	5

DIMENSIONS



W/O Panel Seal

Note: For recommended panel cutout dimensions, see page C7.

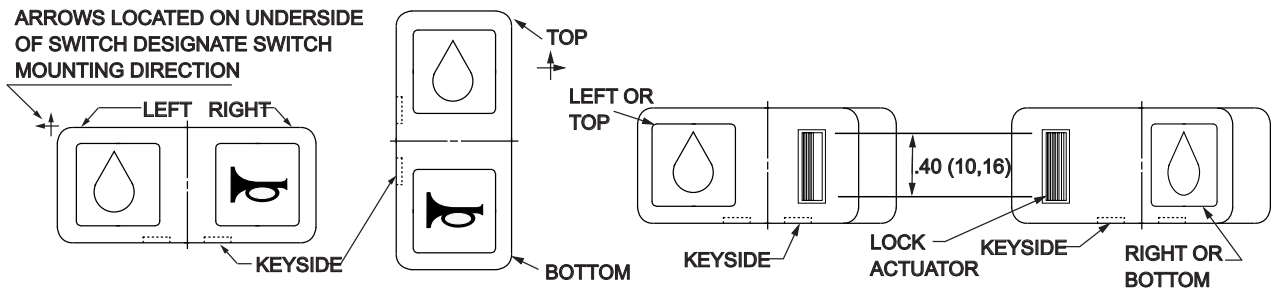


FIGURE 1
Horizontal Mount

FIGURE 2
Vertical Mount

FIGURE 3
Locking Actuator Styles 4, 5, Y, & T

FIGURE 4
Locking Actuator Styles 6, 7, W, & S

"ILLUMINATER™" SERIES PART NUMBERING SYSTEM

ACTUATOR STYLE (See Page C3, Figs 1-4)

Code	Style
1	(1) Lens Top or Left
2	(1) Lens Bottom or Right
3	(2) Lenses
4	Lock in both End Positions w/ Lens (or Plain Surface) Top or Left
5	Lock in Center Position w/ Lens (or Plain Surface) Top or Left
6	Lock in Both End Positions w/ Lens (or Plain Surface) Bottom or Right
7	Lock in Center Position w/Lens (or Plain Surface) Bottom or Right
A	Plain Rocker Button (No Lenses)
S	Lock in (1) End Position w/ Lens (or Plain Surface) Bottom or Right (Lens or Plain Surface Locked in "UP" Position)
T	Lock in (1) End Position w/ Lens (or Plain Surface) Top or Left (Lens or Plain Surface Locked in "UP" Position)
W	Lock in (1) End Position w/ Lens (or Plain Surface) Bottom or Right (Lens or Plain Surface Locked Actuated Position)
Y	Lock in (1) End Position w/ Lens (or Plain Surface) Top or Left (Lens or Plain Surface Locked Actuated Position)

ICON (Location - Top or Left "only")

(See Page C8 for Icon Selection Table)

Code	Function
DF	Oil

(Code "ZZ" = No Icon)

ICON (Location - Bottom or Right "only")

(See Page C8 for Icon Selection Table)

Code	Function
BF	Horn

(Code "ZZ" = No Icon)

DIFFUSION LENS COLOR

(Location - Top or Left "only")

Code	Color
0	None
1	Amber
2	Blue
3	Green
4	Red
5	White
6	Clear

DIFFUSION LENS COLOR

(Location - Bottom or Right "only")

Code	Color
0	None
1	Amber
2	Blue
3	Green
4	Red
5	White
6	Clear

BAFFLE

(Light Intensity Deflector)

Code	Color
A	(1) Top or Left
B	(1) Bottom or Right
C	(2) Baffles
Z	None

ACTUATOR MOUNTING POSITION & COLOR

Code	Orientation
F	Optional / Black (Plain Actuator no Lenses)
H	Horizontal / Black
V	Vertical / Black

B 01 A 5 J H 3 DF 2 ZZ 3 Z = B01A5JH3DF2ZZ3Z

NO. OF POLES

Code	Selection
A	Single
B	Double

OPTIONAL FEATURES

Code	Option
A	Silver Contacts
G	Gold Contacts

ROCKER TYPE

Code	Type
5	Illuminated
6	Non - Illuminated
7	Locking Feature Illuminated
8	Locking Feature Non-Illuminated

LAMP SELECTION

Code	Voltage	No. Lamps	Location
D	14VDC	1	Top or Left
E	14VDC	1	Bottom or Right
F	14VDC	2	Both Locations
G	28VDC	1	Top or Left
H	28VDC	1	Bottom or Right
J	28VDC	2	Both Locations
K	See⓪	1	Top or Left
L	See⓪	1	Bottom or Right
M	See⓪	2	Both Locations
Z	Non - Illuminating		

⓪ Furnished without lamps. Provisions for lamp available as indicated under location.

CIRCUIT ARRANGEMENT

Code	Top or Left			Available Locking Configuration	Code	Bottom or Right			Available Locking Configuration
	Top or Left	Center	Bottom or Right			Top or Left	Center	Bottom or Right	
01	On	Off	On	4,5,6,7,Y,T,S	* 15	On	On	Mom On	5,7,Y,S
02	Mom On	Off	Mom On	5,7	* 16	Mom On	On	Mom On	5,7
03	On	Off	Mom On	5,7,Y,S	50	Mom On	Off	On	5,7,W,T
04	On	None	On	4,6,Y,W,T,S	51	Mom On	None	On	W,T
05	On	None	Mom On	Y,S	52	None	Off	On	7,W
06	On	Off	None	5,Y	53	Mom On	Off	None	5
07	None	Off	Mom On	7	54	None	Mom Off	On	W
08	On	Mom Off	None	Y	55	Off	None	On	4,6,Y,W,T,S
09	On	None	Off	4,6,Y,W,T,S	56	Mom Off	None	On	W,T
10	On	None	Mom Off	Y,S	57	Mom On	None	Off	W,T
11	Off	None	Mom On	Y,S	58	None	On	Mom On	7
12	Mom On	On	None	5	59	None	On	On	7,W
13	On	On	None	5,Y	* 60	Mom On	On	On	5,7,W,T
* 14	On	On	On	4,5,6,7,Y,W,T,S					

* Double pole switches only

PART NUMBER WORKSHEET

Nr. of Poles	Circuit Arrangement	Bezel Color	Bezel Style	Lamp Selection	Mounting Position	Actuator Style	Icon - Top or Left	Diffusion Lens Color	Icon - Bottom or Right	Diffusion Lens Color	Diffusion Lens Color
B	01	A	5	J	H	3	DF	2	ZZ	3	Z

"ILLUMINATER™ " SERIES INDICATOR AND ACCESSORIES

DESCRIPTION

Along with this new line of illuminated rocker switches, we also offer a line of accessories. General styling and appearance match those of the basic switch, with design features as stated.

DESIGN FEATURES

Indicator

- Front panel mounted
- Keyed assembly
 - indicator lens assembly to bezel
 - connector to bezel superstructure
- Removable indicator lens assembly
- One or two lamp capability
- Full size clear lens with non-glare surface
- Icons located beneath lens surface
- Diffusion lens alters icon background lighting
- Matte black textured finish on indicator assembly
- Molded-in terminal identification
- Molded-in orientation mark

SPECIFICATIONS / MATERIALS

- Temperature range: -40°F to +160°F (-40°C to +71°C)
- Flame retardant thermoplastic bezel and base
- Stainless steel mounting clips



OTHER ACCESSORIES

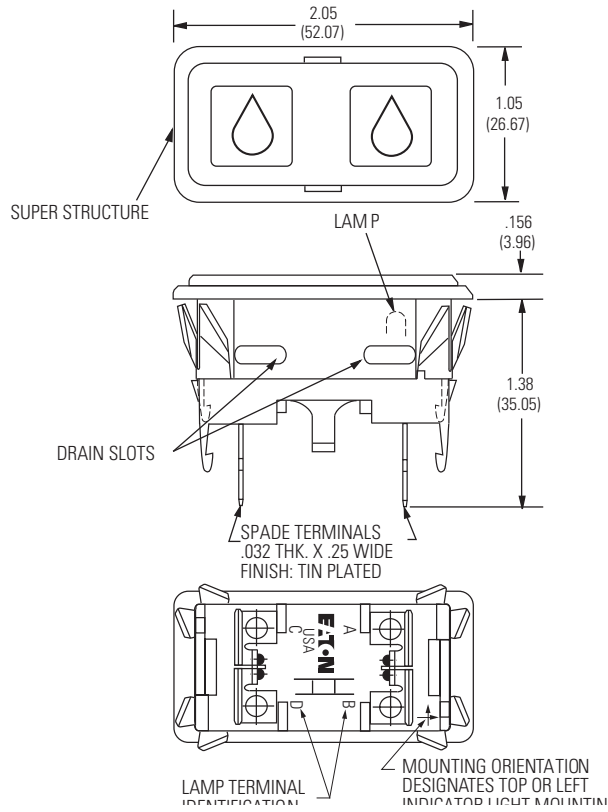
- Connector (see page C7)

FILLER PLUG

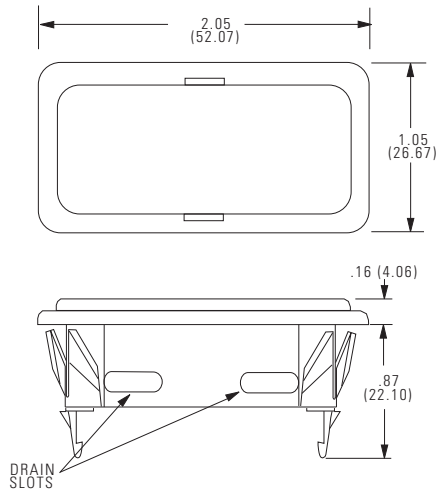
- Front panel mounted
- Accepts - connector/harness assembly
- Matte black textured finish

"ILLUMINATER™ " SERIES INDICATOR AND ACCESSORIES ENGINEERING DATA

INDICATOR

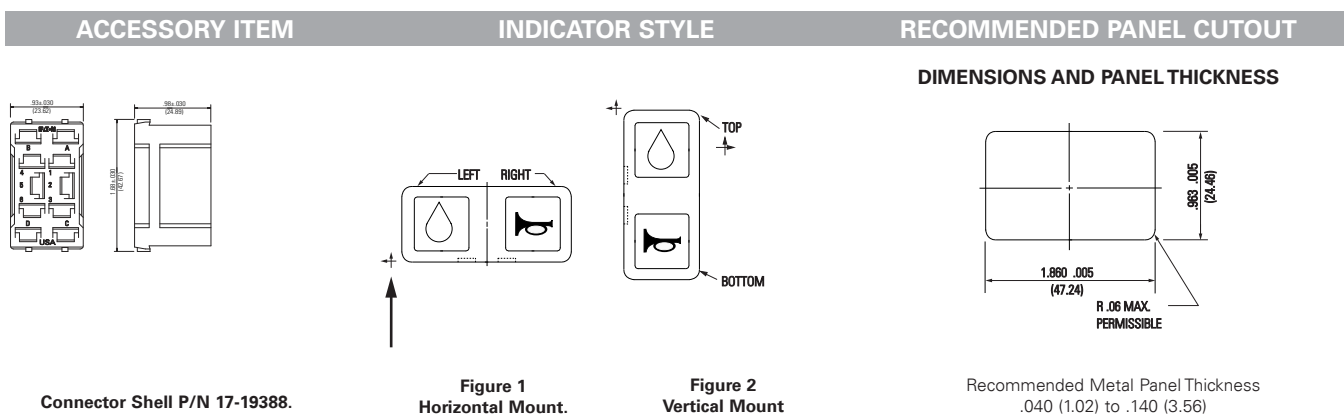
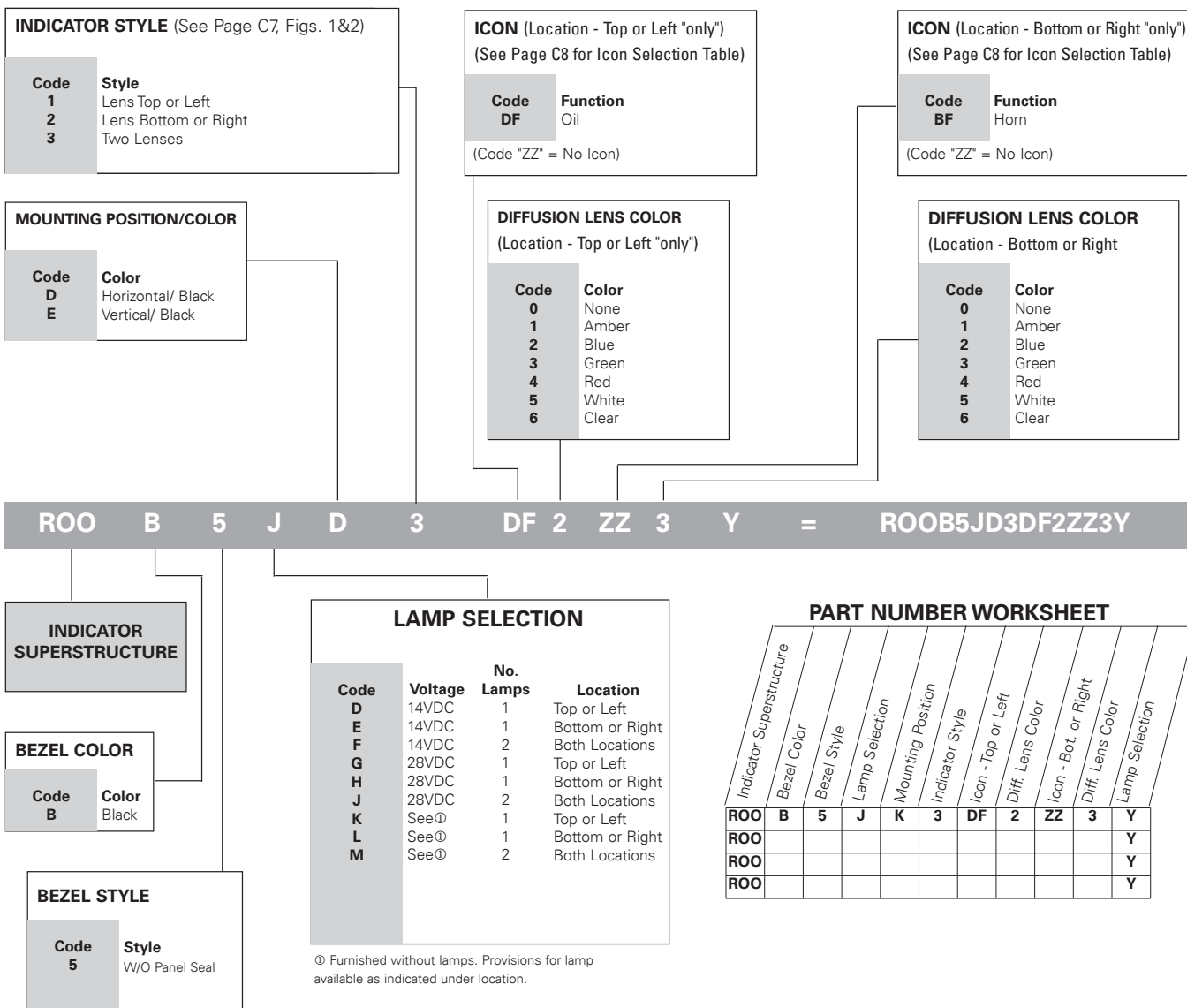


FILLER PLUG - P/N P24010



Note: For recommended panel cutout dimensions, see page C7.

"ILLUMINATER™ " SERIES INDICATOR PART NUMBERING SYSTEM



Mounting orientation shown on bottom of base designates top or left indicator light mounting direction.

"ILLUMINATER™ " SERIES ICON SELECTION TABLE

Code		Description	SAE Spec. No. J1632	Code		Description	SAE Spec. No. J1632
-DF		Oil	1056	-AX		Headlights - High/Upper Beam	0082
-CW		Level Indicator	0159	-AY		Headlights - Low/Dipped Beam	0083
-DG		Temperature	0034	-AZ		Work Light	1204
-DA		On/Start	5007	-DK		Parking Lights	0240
-DB		Off/Stop	5008	-CJ		Hazard Warning Lights	0085
-BF		Horn	0244	-BB		Interior Dome Light	1421
-BT		Fast	None	-BC		Beacon	1141
-BV		Slow	None	-DL		Turn Signals	0084
-CN		Lock	1656	-DM		Front Fog Lights	0633
-CR		Unlock	None	-CE		Rear Fog Lights	0634
-DH		Rearward Moving Machine Alarm	None	-BA		Instrument Illumination	1556
-DJ		Rearward Moving Machine Alarm-CANCEL	None	-BG		Windshield-Wiper	0086
-BU		Engine-Basic Symbol	1156	-BH		Windshield Washer	0088
-CK		Engine-Electrical Preheat (Low Temperature Start Aid)	1704	-CU		Windshield - Washer & Wiper	0087
-AJ		Engine-Gas Injection (Low Temperature Start Aid)	1547	-BJ		Rear Window - Wiper	0097
-BZ		Transmission-Basic Symbol	1166	-BK		Rear Window - Washer	0099
-BL		Fuel or Fuel System Basic Symbol	0245	-DN		Rear Window - Washer & Wiper	0098
				-AA		Heater/Interior Heating	0637
				-BE		Air Conditioning/Cooling System	0027
				-BD		Ventilating/Air Circulating Fan	0089

Typical icons illustrated are per SAE Pub No.s: J-107, J-1048, and J-1449. Additional icons are available upon request.
Note: If no icon is required, enter code "ZZ".

X-ON Electronics

Largest Supplier of Electrical and Electronic Components

Click to view similar products for [Rocker Switches](#) category:

Click to view products by [Safran Labinal Power Systems](#) manufacturer:

Other Similar products are found below :

[VKD2GHNB-00000-000](#) [VSD2GNNB-00000-000](#) [6-1571986-5](#) [6-1571986-9](#) [632422-4B-KD](#) [7036WWCDBX653+U622](#) [8055K52Z7V](#)
[8138K20E6M50](#) [FMC18A2200002](#) [84206L](#) [84312LX](#) [PREDD4-07F-BB0FW](#) [PREDD5-07F-BB0GW](#) [PRFDD1-16F-BB000](#) [PRFDD3-16F-](#)
[BB000](#) [1-1634201-0](#) [999-16702-001](#) [A101J2ZQ004](#) [A101J4ZQ004](#) [A101J51CB0004](#) [A107J51ZQ0004](#) [A201J1AQ004](#) [A201J1AV2Q004](#)
[A201J3ZB004](#) [A201J50ZQ004](#) [A203J51ZQ0004](#) [A226L11YZQ](#) [A22L11A](#) [A435S1YZQ](#) [H8500XBBBBL-A](#) [H8653VBBG2577W](#)
[HB130CHNWWNAAC](#) [1251.0303](#) [AE205J60V3B004](#) [RH110C2NBB](#) [1352.0107](#) [1363.0201](#) [AML25GBF2AA03GR](#) [1571099-3](#) [1571987-4](#)
[1571987-5](#) [1571989-7](#) [B123J77V7B2](#) [B226J50W4Q22P](#) [B433J37ZQ22M](#) [160212E](#) [1801.1164](#) [1831.1102](#) [1833.3402](#) [1837.1118](#)