

Are you already a Weidmüller customer?

Then why not order your M12 or M8 cables from us!

Weidmüller supplies an extremely wide range of M12 and M8 cables, naturally with our proven Weidmüller quality assurance.

To answer as many demands as possible, we offer:

- PVC cables
- PUR/halogen-free cables

Of course, with very short delivery times and best conditions. Please do not hesitate to contact us for a quote or to receive further information.



M8, M12 Sensor and actuator cables

M8, M12 Sensor and actuator cables	Introduction	B.2
	Overview of sensor cables	B.4
	Sensor cables	B.10
	Power cables	B.48
	Valve cables	B.52
	Connecting cable for sensors and actuators	B.62
	Connecting cables for Weidmüller distributors	B.63

SAI cable

Weidmüller manufactures its own SAI cable. This ensures optimal versatility. We do not use fully automatic machines which are difficult to adapt. That is why Weidmüller is well known for delivering promptly with quick turnaround times, despite our wide variety of available options. We can also develop and produce solutions for specific customer requirements. We regularly produce cables, for example, with customer specific labels and logos.

We realise that the cost of having this increased flexibility can be the decisive factor. In order to meet your cost requirements, an additional production line has been specifically designed to keep costs down. This line produces top-selling products for exceptional efficiency and cost savings.



Sensor cables from Weidmüller: shown here with yellow and black cables, together with bus cables



Easy to identify

The EAN number on each label can be scanned in.



Resistant to vibration

M8 with vibration resistance



High quality

Compatible for use in robots;
with recyclable, halogen-free cables



Versatile

Customised cables



One end without connector



Connecting cables



Valve cables



Connection cables / bus cables

Overview of sensor cables

B

		No. of poles	Cable material	One end free		M8 socket				
				PUR halogen-free	PVC	PUR halogen-free	PVC			
One end free			1,5 m 3,0 m 5,0 m 10,0 m variable							
M8 plug	straight		1,5 m 3,0 m 5,0 m 10,0 m variable	1824590150 1824590300 1824590500 1824591000 1824590000	1927230150 1927230300 1927230500 1927231000 1927230000	1824570150 1824570300 1824570500 1824571000 1824570000	1927150150 1927150300 1927150500 1927151000 1927150000			
			1,5 m 3,0 m 5,0 m 10,0 m variable	1906270150 1906270300 1906270500 1906271000 1906270000	1927250150 1927250300 1927250500 1927251000 1927250000	***	***			
		90°		1,5 m 3,0 m 5,0 m 10,0 m variable	1857550150 1857550300 1857550500 1857551000 1857550000	1927310150 1927310300 1927310500 1927311000 1927310000	On request	On request		
				1,5 m 3,0 m 5,0 m 10,0 m variable	1857560150 1857560300 1857560500 1857561000 1857560000	1927330150 1927330300 1927330500 1927331000 1927330000	***	***		
			M12 plug	straight		1,5 m 3,0 m 5,0 m 10,0 m variable	9457810150 9457810300 9457810500 9457811000 9457810000	1925430150 1925430300 1925430500 1925431000 1925430000	9457770150 9457770300 9457770500 9457771000 9457770000	1938170150 1938170300 1938170500 1938171000 1938170000
						1,5 m 3,0 m 5,0 m 10,0 m variable	9456100150 9456100300 9456100500 9456101000 9456100000	1925440150 1925440300 1925440500 1925441000 1925440000	***	***
					1,5 m 3,0 m 5,0 m 10,0 m variable	9457610150 9457610300 9457610500 9457611000 9457610000	1925450150 1925450300 1925450500 1925451000 1925450000	***	***	
	90°					1,5 m 3,0 m 5,0 m 10,0 m variable	9456690150 9456690300 9456690500 9456691000 9456690000	1925510150 1925510300 1925510500 1925511000 1925510000	On request	On request
					1,5 m 3,0 m 5,0 m 10,0 m variable	1906260150 1906260300 1906260500 1906261000 1906260000	1925520150 1925520300 1925520500 1925521000 1925520000	***	***	
					1,5 m 3,0 m 5,0 m 10,0 m variable	9457670150 9457670300 9457670500 9457671000 9457670000	1925530150 1925530300 1925530500 1925531000 1925530000	***	***	

Preferred types / extracted from the complete line. Please make a separate enquiry for information about the M8 snap-on version, twin cabling and others.

M8 socket

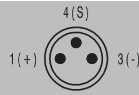
straight



PUR halogen-free	PVC
------------------	-----

9457850150	1927260150
9457850300	1927260300
9457850500	1927260500
9457851000	1927261000
	1927260000

90°



PUR halogen-free	PVC
------------------	-----

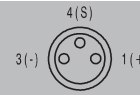
9457380150	1927320150
9457380300	1927320300
9457380500	1927320500
9457381000	1927321000
9457380000	1927320000



PUR halogen-free	PVC
------------------	-----

9456150150	1927340150
9456150300	1927340300
9456150500	1927340500
9456151000	1927341000
9456150000	1927340000

90° angle with 2 LEDs



PUR halogen-free	PVC
------------------	-----

9457460150	1927350150
9457460300	1927350300
9457460500	1927350500
9457461000	1927351000
9457460000	1927350000

1880470150	1927160150
1880470300	1927160300
1880470500	1927160500
1880471000	1927161000
1880470000	1927160000

On request

1824580150	1927170150
1824580300	1927170300
1824580500	1927170500
1824581000	1927171000
1824580000	1927170000

1857670150	1927210150
1857670300	1927210300
1857670500	1927210500
1857671000	1927211000
1857670000	1927210000

1857660150	1927180150
1857660300	1927180300
1857660500	1927180500
1857661000	1927181000
1857660000	1927180000

1857680150	1927220150
1857680300	1927220300
1857680500	1927220500
1857681000	1927221000
1857680000	1927220000

1877250150	1927190150
1877250300	1927190300
1877250500	1927190500
1877251000	1927191000
1877250000	1927190000

On request

9456660150	1938200150
9456660300	1938200300
9456660500	1938200500
9456661000	1938201000
9456660000	1938200000

9457980150	1938180150
9457980300	1938180300
9457980500	1938180500
9457981000	1938181000
9457980000	1938180000

9456670150	1938210150
9456670300	1938210300
9456670500	1938210500
9456671000	1938211000
9456670000	1938210000

9457760150	
9457760300	
9457760500	***
9457761000	
9457760000	

On request

1906330150	1938190150
1906330300	1938190300
1906330500	1938190500
1906331000	1938191000
1906330000	1938190000

1906340150	1938220150
1906340300	1938220300
1906340500	1938220500
1906341000	1938221000
1906340000	1938220000

Overview of sensor cables

B

		M12 socket																																				
		straight																																				
One end free																																						
		<table border="1"> <thead> <tr> <th>Cable material</th> <th>PUR halogen-free</th> <th>PVC</th> </tr> </thead> <tbody> <tr><td>1,5 m</td><td>9457820150</td><td>1925570150</td></tr> <tr><td>3,0 m</td><td>9457820300</td><td>1925570300</td></tr> <tr><td>5,0 m</td><td>9457820500</td><td>1925570500</td></tr> <tr><td>10,0 m</td><td>9457821000</td><td>1925571000</td></tr> <tr><td>variable</td><td>9457820000</td><td>1925570000</td></tr> </tbody> </table>	Cable material	PUR halogen-free	PVC	1,5 m	9457820150	1925570150	3,0 m	9457820300	1925570300	5,0 m	9457820500	1925570500	10,0 m	9457821000	1925571000	variable	9457820000	1925570000	<table border="1"> <thead> <tr> <th>Cable material</th> <th>PUR halogen-free</th> <th>PVC</th> </tr> </thead> <tbody> <tr><td>1,5 m</td><td>9457730150</td><td>1925580150</td></tr> <tr><td>3,0 m</td><td>9457730300</td><td>1925580300</td></tr> <tr><td>5,0 m</td><td>9457730500</td><td>1925580500</td></tr> <tr><td>10,0 m</td><td>9457731000</td><td>1925581000</td></tr> <tr><td>variable</td><td>9457730000</td><td>1925580000</td></tr> </tbody> </table>	Cable material	PUR halogen-free	PVC	1,5 m	9457730150	1925580150	3,0 m	9457730300	1925580300	5,0 m	9457730500	1925580500	10,0 m	9457731000	1925581000	variable	9457730000
Cable material	PUR halogen-free	PVC																																				
1,5 m	9457820150	1925570150																																				
3,0 m	9457820300	1925570300																																				
5,0 m	9457820500	1925570500																																				
10,0 m	9457821000	1925571000																																				
variable	9457820000	1925570000																																				
Cable material	PUR halogen-free	PVC																																				
1,5 m	9457730150	1925580150																																				
3,0 m	9457730300	1925580300																																				
5,0 m	9457730500	1925580500																																				
10,0 m	9457731000	1925581000																																				
variable	9457730000	1925580000																																				
M8 plug	straight																																					
	90°																																					
M12 plug	straight																																					
	90°																																					

M12 socket

straight



PUR halogen-free

PVC

9457910150	1925590150
9457910300	1925590300
9457910500	1925590500
9457911000	1925591000
9457910000	1925590000

90°



PUR halogen-free

PVC

9457320150	1925630150
9457320300	1925630300
9457320500	1925630500
9457321000	1925631000
9457320000	1925630000



PUR halogen-free

PVC

9457740150	1925640150
9457740300	1925640300
9457740500	1925640500
9457741000	1925641000
9457740000	1925640000



PUR halogen-free

PVC

9457690150	1925650150
9457690300	1925650300
9457690500	1925650500
9457691000	1925651000
9457690000	1925650000

9457340150	1925320150
9457340300	1925320300
9457340500	1925320500
9457341000	1925321000
9457340000	1925320000

9456500150	On request
9456500300	
9456500500	
9456501000	
9456500000	

1937960150	1938240150
1937960300	1938240300
1937960500	1938240500
1937961000	1938241000
1937960000	1938240000

1937970150	1938250150
1937970300	1938250300
1937970500	1938250500
1937971000	1938251000
1937970000	1938250000

9457390150	1925340150
9457390300	1925340300
9457390500	1925340500
9457391000	1925341000
9457390000	1925340000

1815670150	1925380150
1815670300	1925380300
1815670500	1925380500
1815671000	1925381000
1815670000	1925380000

1906310150	1925390150
1906310300	1925390300
1906310500	1925390500
1906311000	1925391000
1906310000	1925390000

1937990150	1938270150
1937990300	1938270300
1937990500	1938270500
1937991000	1938271000
1937990000	1938270000

1938000150	1938280150
1938000300	1938280300
1938000500	1938280500
1938001000	1938281000
1938000000	1938280000

9457310150	1925350150
9457310300	1925350300
9457310500	1925350500
9457311000	1925351000
9457310000	1925350000

1906310150	1925390150
1906310300	1925390300
1906310500	1925390500
1906311000	1925391000
1906310000	1925390000

9457270150	1925360150
9457270300	1925360300
9457270500	1925360500
9457271000	1925361000
9457270000	1925360000

9457900150	1925400150
9457900300	1925400300
9457900500	1925400500
9457901000	1925401000
9457900000	1925400000

Overview of sensor cables

B

		No. of poles	Cable material	M12 socket		
				90° angle with 2 LEDs		
				PUR halogen-free	PVC	
				PUR halogen-free	PVC	
One end free			1,5 m 3,0 m 5,0 m 10,0 m variable	9457800150 9457800300 9457800500 9457801000 9457800000	1925460150 1925460300 1925460500 1925461000 1925460000	
M8 plug	straight		1,5 m 3,0 m 5,0 m 10,0 m variable	***	***	
			1,5 m 3,0 m 5,0 m 10,0 m variable	***	***	
	90°		1,5 m 3,0 m 5,0 m 10,0 m variable	***	***	
			1,5 m 3,0 m 5,0 m 10,0 m variable	***	***	
M12 plug	straight		1,5 m 3,0 m 5,0 m 10,0 m variable	9457790150 9457790300 9457790500 9457791000 9457790000	1925410150 1925410300 1925410500 1925411000 1925410000	
			1,5 m 3,0 m 5,0 m 10,0 m variable	***	***	
			1,5 m 3,0 m 5,0 m 10,0 m variable	***	***	
			1,5 m 3,0 m 5,0 m 10,0 m variable	***	***	
	90°		1,5 m 3,0 m 5,0 m 10,0 m variable	On request	On request	***
			1,5 m 3,0 m 5,0 m 10,0 m variable	***	***	On request
			1,5 m 3,0 m 5,0 m 10,0 m variable	***	***	***
			1,5 m 3,0 m 5,0 m 10,0 m variable	***	***	***

Sensor cables with plug at one end only

M12



M8



M8 Snap connection



Twin cabling



M5



Sensor/actuator cable pre-assembled with M8/M12 plug-in connector at one end

Machine designers frequently require individual cable lengths. Sensor cables, with a connector fitted at one end only, can be easily adapted to the corresponding situation. The cables are available in many different versions: straight, 90° and with all common pole numbers (3, 4, 5, 8 and 12 Pole). Male plugs and Female sockets can be assembled to suit individual customer requirements for connecting cables. The cable sheathing is made of PUR (polyurethane) or PVC (polyvinylchloride), the PUR cables are suitable for use with cable carrier systems. Plugs and cables are in neutral black.

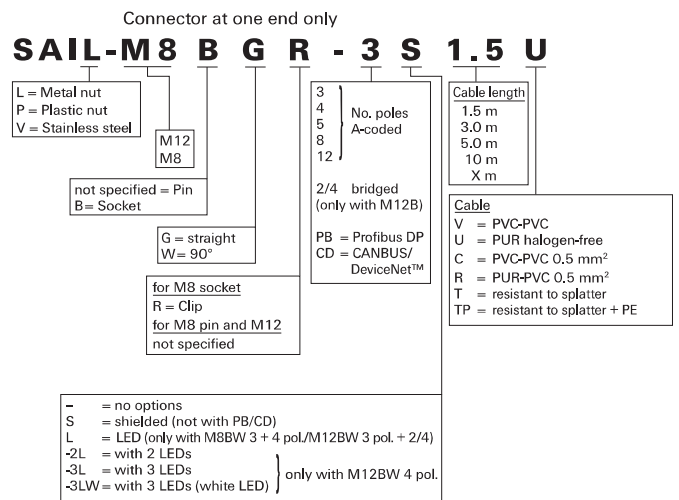
Sensor cables

Weidmüller can supply various cable lengths as indicated in the following table:

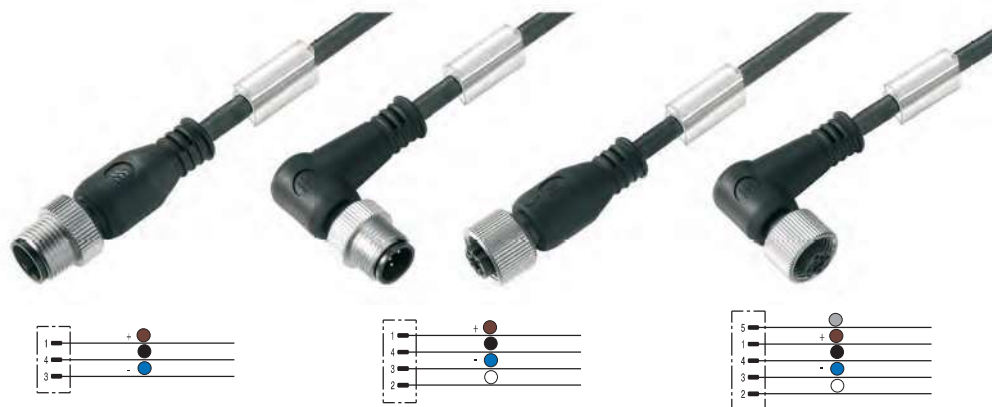
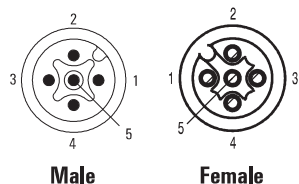
Typical cable lengths are:

• 1,5 m	• 3,0 m	• 5,0 m	• 10,0 m
---------	---------	---------	----------

Example of designation



One end without connector
M12
A-coded



Ordering data

Male, straight	
PVC	1.5 m
PUR halogen-free	1.5 m
PUR halogen-free yellow	1.5 m
Resistant to welding beads	1.5 m
Male, angled	
PVC	1.5 m
PUR halogen-free	1.5 m
PUR halogen-free yellow	1.5 m
Resistant to welding beads	1.5 m
Female, straight	
PVC	1.5 m
PUR halogen-free	1.5 m
PUR halogen-free yellow	1.5 m
Resistant to welding beads	1.5 m
Female, angled	
PVC	1.5 m
PUR halogen-free	1.5 m
PUR halogen-free yellow	1.5 m
Resistant to welding beads	1.5 m
Note	
Other versions on request	

3-pole	
SAIL-M12G-3-1.5V	1925430150
SAIL-M12G-3-1.5U	9457810150
SAIL-M12G-3-1.5UGE	1092980150
SAIL-M12G-3-1.5T	1021750150
Male, angled	
SAIL-M12W-3-1.5V	1925510150
SAIL-M12W-3-1.5U	9456690150
SAIL-M12W-3-1.5UGE	1093160150
SAIL-M12W-3-1.5T	1021760150
Female, straight	
SAIL-M12BG-3-1.5V	1925570150
SAIL-M12BG-3-1.5U	9457820150
SAIL-M12BG-3-1.5UGE	1092910150
SAIL-M12BG-3-1.5T	1968590150
Female, angled	
SAIL-M12BW-3-1.5V	1925630150
SAIL-M12BW-3-1.5U	9457320150
SAIL-M12BW-3-1.5UGE	1092940150
SAIL-M12BW-3-1.5T	1968560150
Note	
Other versions on request	

4-pole	
SAIL-M12G-4-1.5V	1925440150
SAIL-M12G-4-1.5U	9456100150
SAIL-M12G-4-1.5UGE	1077750150
SAIL-M12G-4-1.5T	1021770150
Male, angled	
SAIL-M12W-4-1.5V	1925520150
SAIL-M12W-4-1.5U	1906260150
SAIL-M12W-4-1.5UGE	1093170150
SAIL-M12W-4-1.5T	1021790150
Female, straight	
SAIL-M12BG-4-1.5V	1925580150
SAIL-M12BG-4-1.5U	9457730150
SAIL-M12BG-4-1.5UGE	1092920150
SAIL-M12BG-4-1.5T	1968580150
Female, angled	
SAIL-M12BW-4-1.5V	1925640150
SAIL-M12BW-4-1.5U	9457740150
SAIL-M12BW-4-1.5UGE	1092960150
SAIL-M12BW-4-1.5T	1968570150
Note	
Other versions on request	

5-pole	
SAIL-M12G-5-1.5V	1925450150
SAIL-M12G-5-1.5U	9457610150
SAIL-M12G-5-1.5UGE	1092990150
SAIL-M12G-5-1.5T	1021650150
Male, angled	
SAIL-M12W-5-1.5V	1925530150
SAIL-M12W-5-1.5U	9457670150
SAIL-M12W-5-1.5UGE	1093180150
SAIL-M12W-5-1.5T	1021660150
Female, straight	
SAIL-M12BG-5-1.5V	1925590150
SAIL-M12BG-5-1.5U	9457910150
SAIL-M12BG-5-1.5UGE	1092930150
SAIL-M12BG-5-1.5T	1021670150
Female, angled	
SAIL-M12BW-5-1.5V	1925650150
SAIL-M12BW-5-1.5U	9457690150
SAIL-M12BW-5-1.5UGE	1092970150
SAIL-M12BW-5-1.5T	1021690150
Note	
Other versions on request	

Standard cable lengths

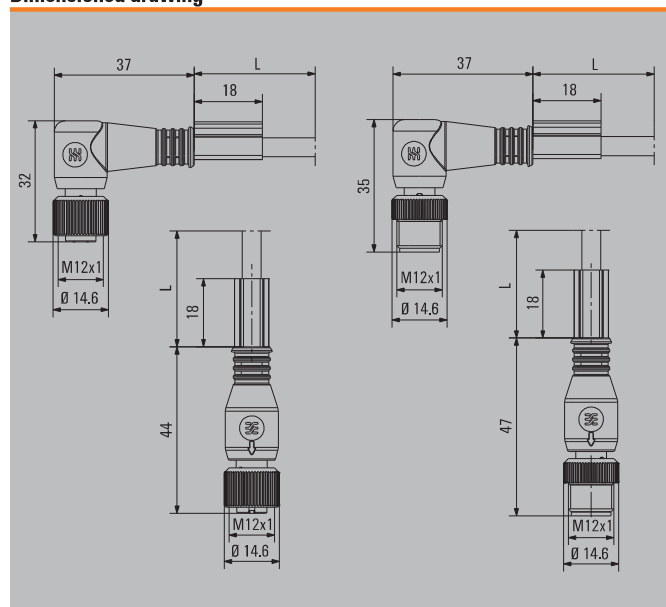
All cables listed in the ordering data have a length of 1.5 metres. The last four ordering digits must be changed when ordering other standard cable lengths.	1.5 m	xxxxxx0150
	3.0 m	xxxxxx0300
	5.0 m	xxxxxx0500
	10.0 m	xxxxxx1000

Technical data

Rated current	4 A
Protection degree	IP 65, IP 66, IP 67, IP 68, (when screwed in)
Core cross-section	0.34 mm ²
Contact surface	Gold-plated
Temperature range of housing	-25...+85 °C
Rated voltage (acc. to VDE standard 0110 ISO group C)	250 V (3- and 4-pole) / 125 V (5-pole)
Approvals	EAC

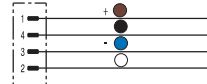
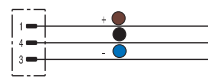
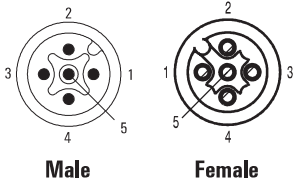
Chapter W includes additional technical specifications for the cable

Dimensioned drawing



Sensor cables

One end without connector
M12
A-coded
with plastic threaded ring



Ordering data

Male, straight	
PUR halogen-free	1.5 m
Male, angled	
PUR halogen-free	1.5 m
Female, straight	
PUR halogen-free	1.5 m
Female, angled	
PUR halogen-free	1.5 m
Note	

		3-pole
	SAIP-M12G-3-1.5U	1108800150
	SAIP-M12W-3-1.5U	1108670150
	SAIP-M12BG-3-1.5U	1108730150
	SAIP-M12BW-3-1.5U	1108770150

		4-pole
	SAIP-M12G-4-1.5U	1108810150
	SAIP-M12W-4-1.5U	1108680150
	SAIP-M12BG-4-1.5U	1108740150
	SAIP-M12BW-4-1.5U	1108780150

		5-pole
	SAIP-M12G-5-1.5U	1108820150
	SAIP-M12W-5-1.5U	1108690150
	SAIP-M12BG-5-1.5U	1108750150
	SAIP-M12BW-5-1.5U	1108790150

Standard cable lengths

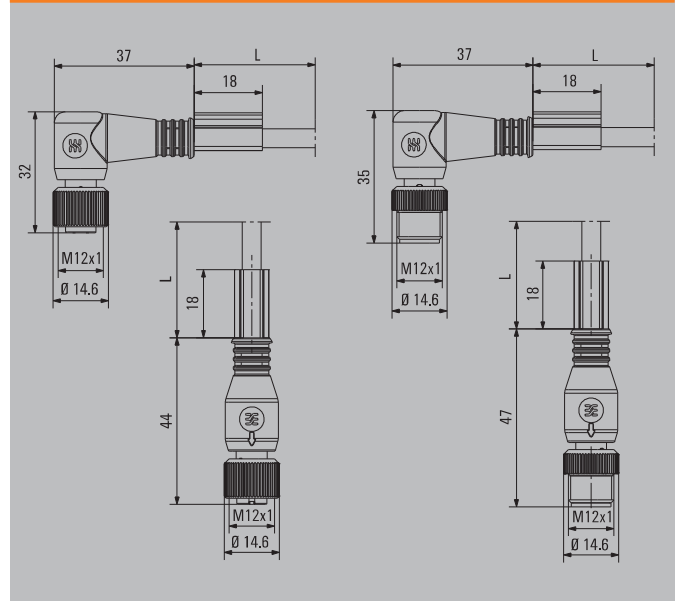
All cables listed in the ordering data have a length of 1.5 metres. The last four ordering digits must be changed when ordering other standard cable lengths.	1.5 m	xxxxxx0150
	3.0 m	xxxxxx0300
	5.0 m	xxxxxx0500
	10.0 m	xxxxxx1000

Technical data

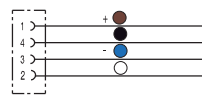
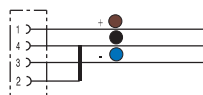
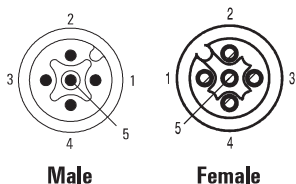
Rated current	4 A
Protection degree	IP 65, IP 66, IP 67, IP 68, (when screwed in)
Core cross-section	0.34 mm ²
Contact surface	Gold-plated
Temperature range of housing	-25...+85 °C
Rated voltage (acc. to VDE standard 0110 ISO group C)	250 V (3- and 4-pole) / 125 V (5-pole)
Approvals	EAC

Chapter W includes additional technical specifications for the cable

Dimensioned drawing



One end without connector
M12
A-coded
with stainless steel thread and
bridge between pin 2 and 4
1.4404/316L



Ordering data

Female, straight	
PUR halogen-free	1.5 m
Female, angled	
PUR halogen-free	1.5 m
Note	

3-pole	
SAIV-M12BG-2/4-1.5U	1939410150
SAIV-M12BW-2/4-1.5U	1939370150

4-pole	
SAIV-M12BG-4-1.5U	9457950150
SAIV-M12BW-4-1.5U	9457960150

Standard cable lengths

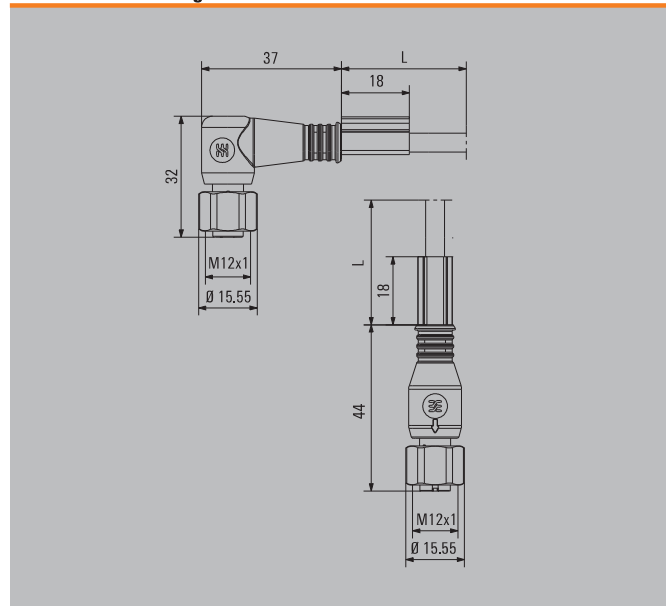
All cables listed in the ordering data have a length of 1.5 metres. The last four ordering digits must be changed when ordering other standard cable lengths.	1.5 m	xxxxxx0150
	3.0 m	xxxxxx0300
	5.0 m	xxxxxx0500
	10.0 m	xxxxxx1000

Technical data

Rated current	4 A
Protection degree	IP 65, IP 66, IP 67, IP 68, (when screwed in)
Core cross-section	0.34 mm ²
Contact surface	Gold-plated
Temperature range of housing	-25...+85 °C
Rated voltage (acc. to VDE standard 0110 ISO group C)	250 V
Approvals	EAC

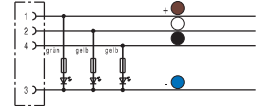
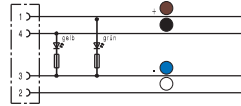
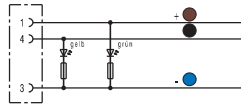
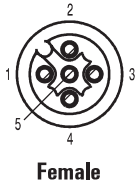
Chapter W includes additional technical specifications for the cable

Dimensioned drawing



Sensor cables

One end without connector
M12 with LED
A-coded



Ordering data

Female, angled	
PVC	1.5 m
PUR halogen-free	1.5 m
PUR halogen-free yellow	1.5 m
Resistant to welding beads	1.5 m
Note	

2 LEDs	3-pole
SAIL-M12BW-3L1.5V	1925460150
SAIL-M12BW-3L1.5U	9457800150
SAIL-M12BW-3L1.5UGE	1114880150
SAIL-M12BW-3L1.5T	1004330150
Other versions on request	

2 LEDs	4-pole
SAIL-M12BW-4-2L1.5V	1925470150
SAIL-M12BW-4-2L1.5U	9456380150
SAIL-M12BW-4-2L1.5UGE	1092950150
SAIL-M12BW-4-2L1.5T	1007000150
Other versions on request	

3 LEDs	4-pole
SAIL-M12BW-4-3L1.5V	1963960150
SAIL-M12BW-4-3L1.5U	1963940150
Other versions on request	

Standard cable lengths

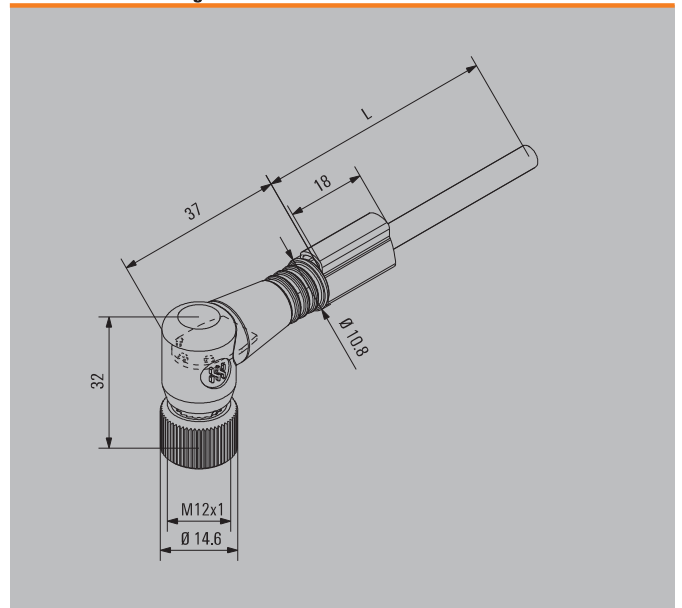
All cables listed in the ordering data have a length of 1.5 metres. The last four ordering digits must be changed when ordering other standard cable lengths.	1.5 m	xxxxxx0150
	3.0 m	xxxxxx0300
	5.0 m	xxxxxx0500
	10.0 m	xxxxxx1000

Technical data

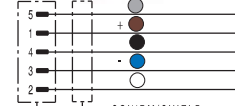
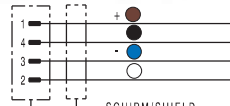
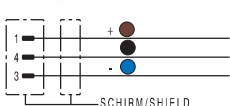
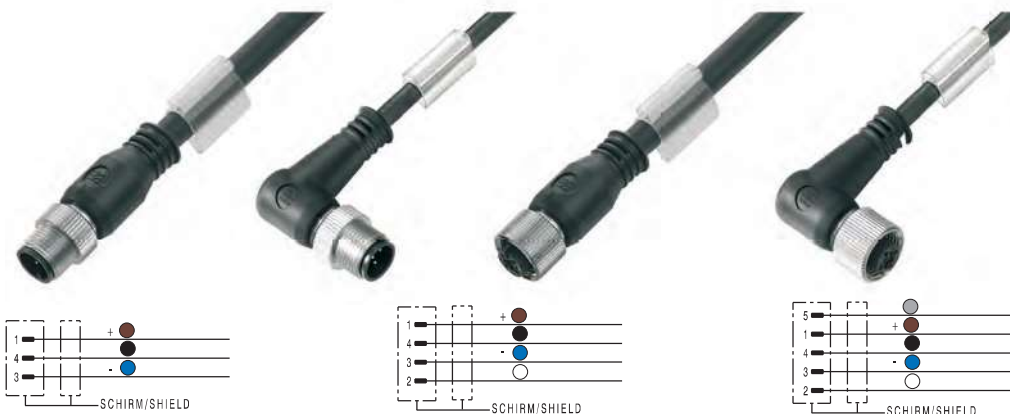
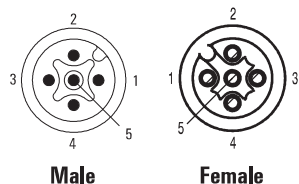
Rated current	4 A
Protection degree	IP 65, IP 66, IP 67, IP 68, (when screwed in)
Core cross-section	0.34 mm ²
Contact surface	Gold-plated
Temperature range of housing	-25...+85 °C
Rated voltage (acc. to VDE standard 0110 ISO group C)	24 V
Approvals	cULus; EAC

Chapter W includes additional technical specifications for the cable

Dimensioned drawing



One end without connector
M12
A-coded
shielded



Ordering data

Male, straight	
PUR halogen-free	1.5 m
Male, angled	
PUR halogen-free	1.5 m
Female, straight	
PUR halogen-free	1.5 m
Female, angled	
PUR halogen-free	1.5 m
Note	
Other versions on request	

3-pole	
SAIL-M12G-3S1.5U	1906470150
SAIL-M12W-3S1.5U	1906500150
SAIL-M12BG-3S1.5U	1867410150
SAIL-M12BW-3S1.5U	1906950150
Note	
Other versions on request	

4-pole	
SAIL-M12G-4S1.5U	1906480150
SAIL-M12W-4S1.5U	1059650150
SAIL-M12BG-4S1.5U	1812540150
SAIL-M12BW-4S1.5U	1808970150
Note	
Other versions on request	

5-pole	
SAIL-M12G-5S1.5U	1926690150
SAIL-M12W-5S1.5U	1906520150
SAIL-M12BG-5S1.5U	9456140150
SAIL-M12BW-5S1.5U	1906540150
Note	
Other versions on request	

Standard cable lengths

All cables listed in the ordering data have a length of 1.5 metres. The last four ordering digits must be changed when ordering other standard cable lengths.

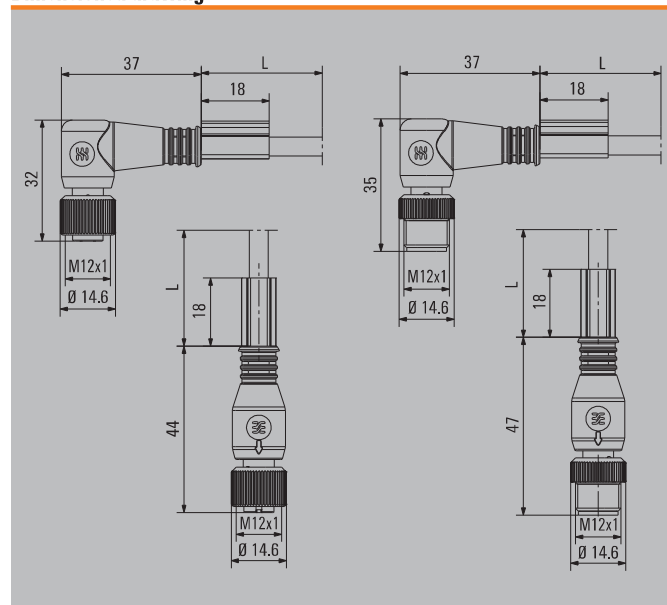
1.5 m	xxxxxx0150
3.0 m	xxxxxx0300
5.0 m	xxxxxx0500
10.0 m	xxxxxx1000

Technical data

Rated current	4 A
Protection degree	IP 65, IP 66, IP 67, IP 68, (when screwed in)
Core cross-section	0.34 mm ²
Contact surface	Gold-plated
Temperature range of housing	-25...+85 °C
Rated voltage (acc. to VDE standard 0110 ISO group C)	250 V (3- and 4-pole) / 125 V (5-pole)
Approvals	cULus; EAC

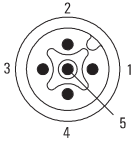
Chapter W includes additional technical specifications for the cable

Dimensioned drawing

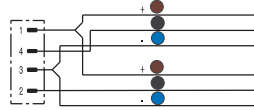


Sensor cables

**One end without connector
M12 twin cabling**



Male



Ordering data

Male straight - open ended	
PUR halogen-free	1.5 m
Note	

	3-pole
SAIL-ZW-3-1.5U	1964310150

Standard cable lengths

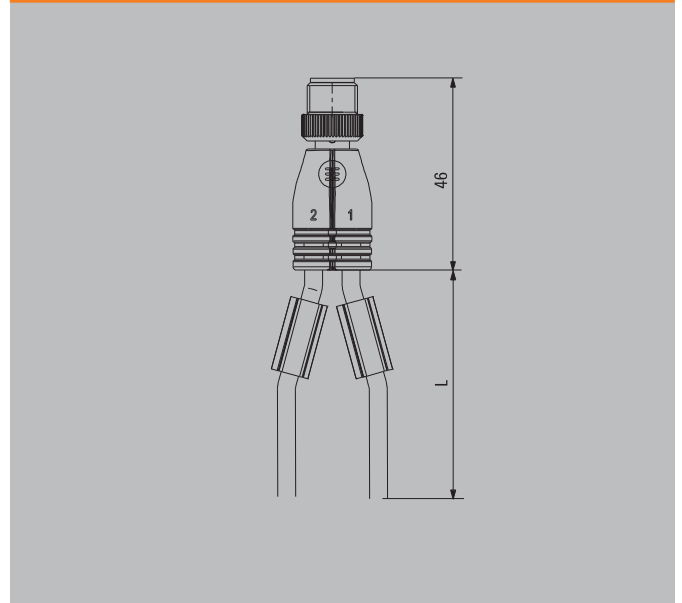
All cables listed in the ordering data have a length of 1.5 metres. The last four ordering digits must be changed when ordering other standard cable lengths.	1.5 m	xxxxxx0150
	3.0 m	xxxxxx0300
	5.0 m	xxxxxx0500
	10.0 m	xxxxxx1000

Technical data

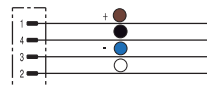
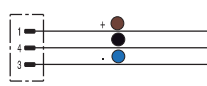
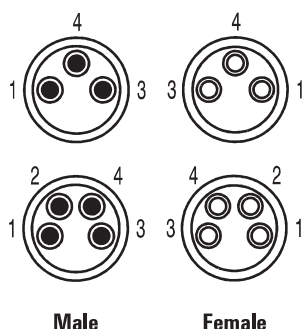
Rated current	4 A
Protection degree	IP 65, IP 66, IP 67, IP 68, (when screwed in)
Core cross-section	0.34 mm ²
Contact surface	Gold-plated
Temperature range of housing	-25...+85 °C
Rated voltage (acc. to VDE standard 0110 ISO group C)	250 V
Approvals	CSA; cURus; EAC

Chapter W includes additional technical specifications for the cable

Dimensioned drawing



One end without connector
M8



Ordering data

Male, straight	
PVC	1.5 m
PUR halogen-free	1.5 m
Male, angled	
PVC	1.5 m
PUR halogen-free	1.5 m
Female, straight	
PVC	1.5 m
PUR halogen-free	1.5 m
PUR halogen-free yellow	1.5 m
Female, angled	
PVC	1.5 m
PUR halogen-free	1.5 m
PUR halogen-free yellow	1.5 m
Note	

3-pole	
SAIL-M8G-3-1.5V	1927230150
SAIL-M8G-3-1.5U	1824590150
SAIL-M8W-3-1.5V	1927310150
SAIL-M8W-3-1.5U	1857550150
SAIL-M8BG-3-1.5V	1927240150
SAIL-M8BG-3-1.5U	9457450150
SAIL-M8BG-3-1.5UGE	1093190150
SAIL-M8BW-3-1.5V	1927320150
SAIL-M8BW-3-1.5U	9457380150
SAIL-M8BW-3-1.5UGE	1093220150
Other versions on request	

4-pole	
SAIL-M8G-4-1.5V	1927250150
SAIL-M8G-4-1.5U	1906270150
SAIL-M8W-4-1.5V	1927330150
SAIL-M8W-4-1.5U	1857560150
SAIL-M8BG-4-1.5V	1927260150
SAIL-M8BG-4-1.5U	9457850150
SAIL-M8BG-4-1.5UGE	1093200150
SAIL-M8BW-4-1.5V	1927340150
SAIL-M8BW-4-1.5U	9456150150
SAIL-M8BW-4-1.5UGE	1093240150
Other versions on request	

Standard cable lengths

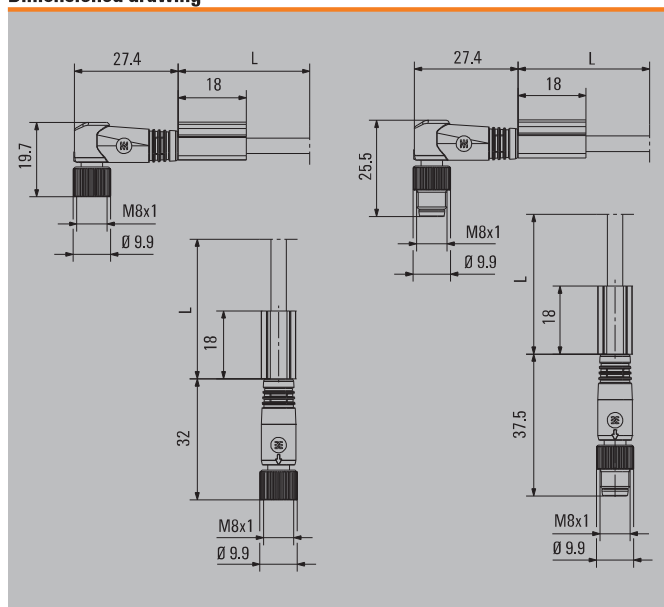
All cables listed in the ordering data have a length of 1.5 metres. The last four ordering digits must be changed when ordering other standard cable lengths.	1.5 m	xxxxxx0150
	3.0 m	xxxxxx0300
	5.0 m	xxxxxx0500
	10.0 m	xxxxxx1000

Technical data

Rated current	4 A
Protection degree	IP 65, IP 66, IP 67, IP 68, (when screwed in)
Core cross-section	0.25 mm ²
Contact surface	Gold-plated
Temperature range of housing	-25...+85 °C
Rated voltage (acc. to VDE standard O110 ISO group C)	60 V (3-pole) / 30 V (4-pole)
Approvals	cURus; EAC

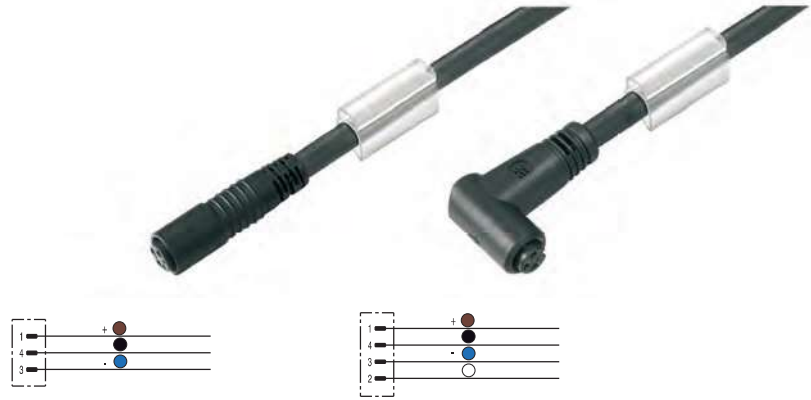
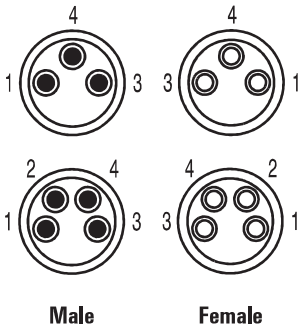
Chapter W includes additional technical specifications for the cable

Dimensioned drawing



Sensor cables

One end without connector
M8
Snap connection



Ordering data

Female, straight	
PVC	1.5 m
PUR halogen-free	1.5 m
Female, angled	
PVC	1.5 m
PUR halogen-free	1.5 m
Note	
Other versions on request	

3-pole	
SAIL-M8BGR-3-1.5V	1948710150
SAIL-M8BGR-3-1.5U	1827020150
SAIL-M8BWR-3-1.5V	1948720150
SAIL-M8BWR-3-1.5U	1827010150
Note	
Other versions on request	

4-pole	
SAIL-M8BGR-4-1.5V	1948730150
SAIL-M8BGR-4-1.5U	1948530150
SAIL-M8BWR-4-1.5V	1948740150
SAIL-M8BWR-4-1.5U	1948540150
Note	
Other versions on request	

Standard cable lengths

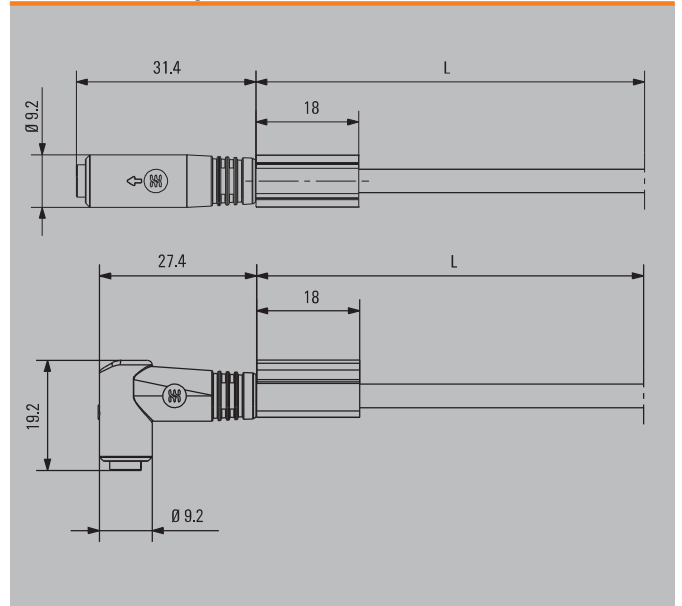
All cables listed in the ordering data have a length of 1.5 metres. The last four ordering digits must be changed when ordering other standard cable lengths.	1.5 m	xxxxxx0150
	3.0 m	xxxxxx0300
	5.0 m	xxxxxx0500
	10.0 m	xxxxxx1000

Technical data

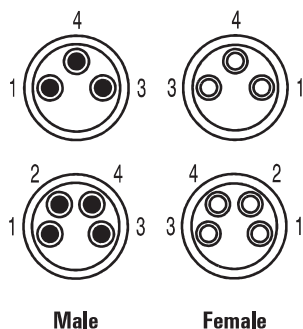
Rated current	4 A
Protection degree	IP65 (in plugged condition)
Core cross-section	0.25 mm ²
Contact surface	Gold-plated
Temperature range of housing	-25...+85 °C
Rated voltage	60 V (3-pole) / 30 V (4-pole)
(acc. to VDE standard 0110 ISO group C)	
Approvals	EAC

Chapter W includes additional technical specifications for the cable

Dimensioned drawing



One end without connector
M8
shielded



Ordering data

Male, straight	
PUR halogen-free	1.5 m
Male, angled	
PUR halogen-free	1.5 m
Female, straight	
PUR halogen-free	1.5 m
Female, angled	
PUR halogen-free	1.5 m
Note	

3-pole	
SAIL-M8G-3S1.5U	1906560150
SAIL-M8W-3S1.5U	1906580150
SAIL-M8BG-3S1.5U	1906600150
SAIL-M8BW-3S1.5U	1906620150
Other versions on request	

4-pole	
SAIL-M8G-4S1.5U	1906570150
SAIL-M8W-4S1.5U	1906590150
SAIL-M8BG-4S1.5U	1906610150
SAIL-M8BW-4S1.5U	1906630150
Other versions on request	

Standard cable lengths

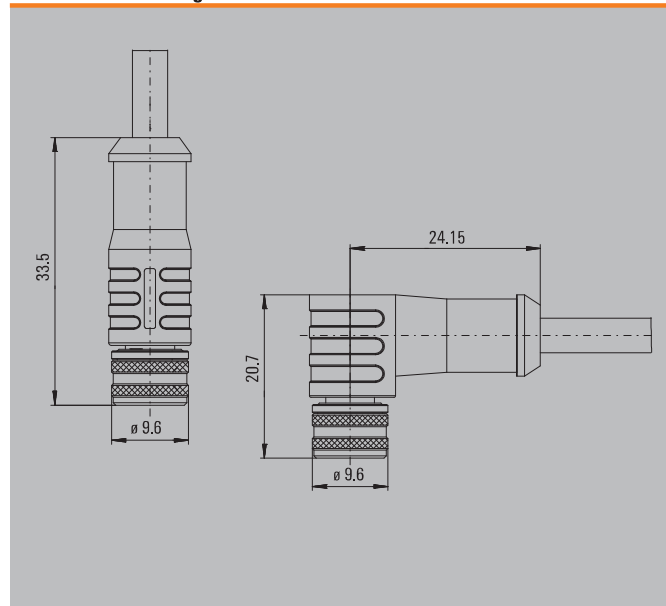
All cables listed in the ordering data have a length of 1.5 metres. The last four ordering digits must be changed when ordering other standard cable lengths.	1.5 m	xxxxxx0150
	3.0 m	xxxxxx0300
	5.0 m	xxxxxx0500
	10.0 m	xxxxxx1000

Technical data

Rated current	4 A
Protection degree	IP 65, IP 66, IP 67, IP 68, (when screwed in)
Core cross-section	0.34 mm ²
Contact surface	Gold-plated
Temperature range of housing	-25...+85 °C
Rated voltage (acc. to VDE standard 0110 ISO group C)	60 V (3-pole) / 30 V (4-pole)
Approvals	EAC

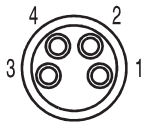
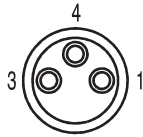
Chapter W includes additional technical specifications for the cable

Dimensioned drawing



Sensor cables

**One end without connector
M8
with plastic threaded ring**



Female



Ordering data

Female, straight	
PUR halogen-free	1.5 m
Female, angled	
PUR halogen-free	1.5 m
Note	

		3-pole		
		SAIP-M8BG-3-1.5U	1382970150	
		SAIP-M8BW-3-1.5U	1382980150	

		4-pole		
		SAIP-M8BG-4-1.5U	1382990150	
		SAIP-M8BW-4-1.5U	1383000150	

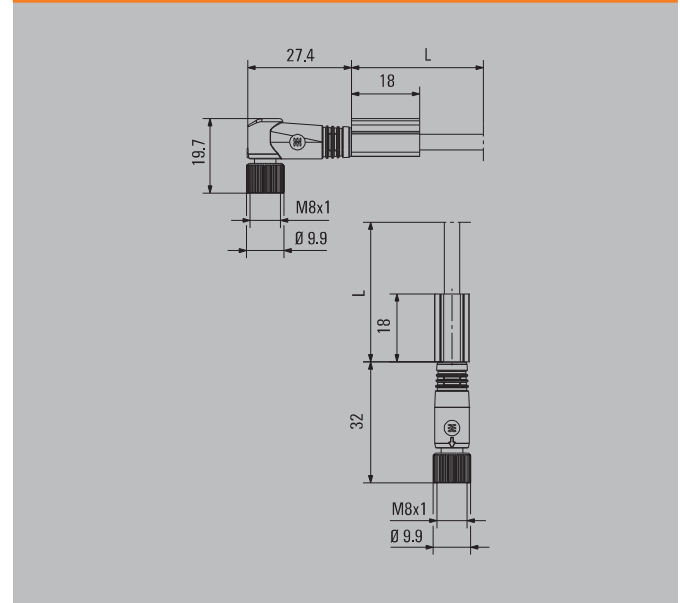
Standard cable lengths

All cables listed in the ordering data have a length of 1.5 metres. The last four ordering digits must be changed when ordering other standard cable lengths.	1.5 m	xxxxxx0150
	3.0 m	xxxxxx0300
	5.0 m	xxxxxx0500
	10.0 m	xxxxxx1000

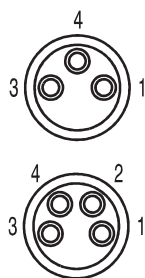
Technical data

Rated current	4 A
Protection degree	IP 65, IP 66, IP 67, IP 68, (when screwed in)
Core cross-section	0.25 mm ²
Contact surface	Gold-plated
Temperature range of housing	-25...+85 °C
Rated voltage (acc. to VDE standard 0110 ISO group C)	60 V (3-pole) / 30 V (4-pole)
Approvals	EAC

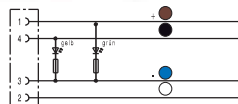
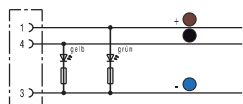
Dimensioned drawing



One end without connector
M8 with LED



Female



Ordering data

Female, angled	
PVC	1.5 m
PUR halogen-free	1.5 m
PUR halogen-free yellow	1.5 m
Note	

2 LEDs

3-pole

SAIL-M8BW-3L1.5V	1927350150
SAIL-M8BW-3L1.5U	9457460150
SAIL-M8BW-3L1.5UGE	1093210150
Other versions on request	

2 LEDs

4-pole

SAIL-M8BW-4L1.5V	1927360150
SAIL-M8BW-4L1.5U	1906400150
SAIL-M8BW-4L1.5UGE	1093230150
Other versions on request	

Standard cable lengths

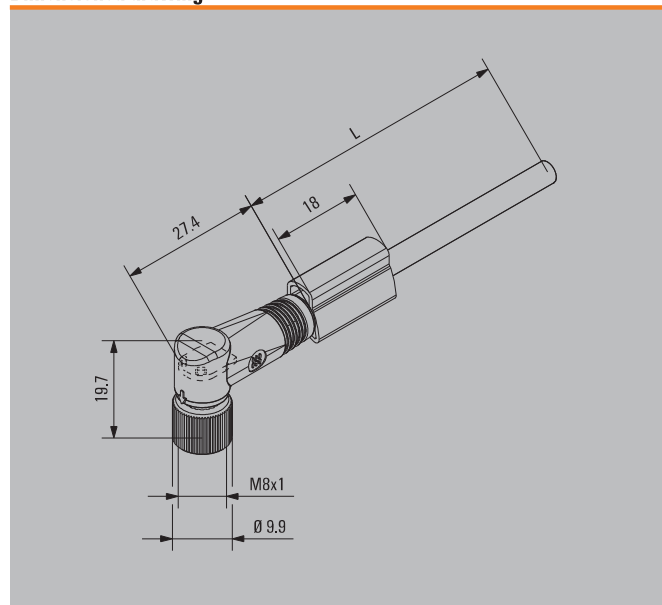
All cables listed in the ordering data have a length of 1.5 metres. The last four ordering digits must be changed when ordering other standard cable lengths.	1.5 m	xxxxxx0150
	3.0 m	xxxxxx0300
	5.0 m	xxxxxx0500
	10.0 m	xxxxxx1000

Technical data

Rated current	4 A
Protection degree	IP 65, IP 66, IP 67, IP 68, (when screwed in)
Core cross-section	0.25 mm ²
Contact surface	Gold-plated
Temperature range of housing	-25...+85 °C
Rated voltage (acc. to VDE standard 0110 ISO group C)	24 V
Approvals	CSA; cURus; EAC

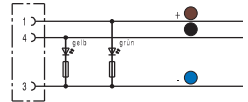
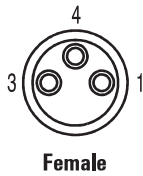
Chapter W includes additional technical specifications for the cable

Dimensioned drawing



Sensor cables

One end without connector
M8 with LED
with plastic threaded ring



Ordering data

Female, angled	
PUR free from halogens, LED	1.5 m
Note	

	3-pole
SAIP-M8BW-3L1.5U	1383010150

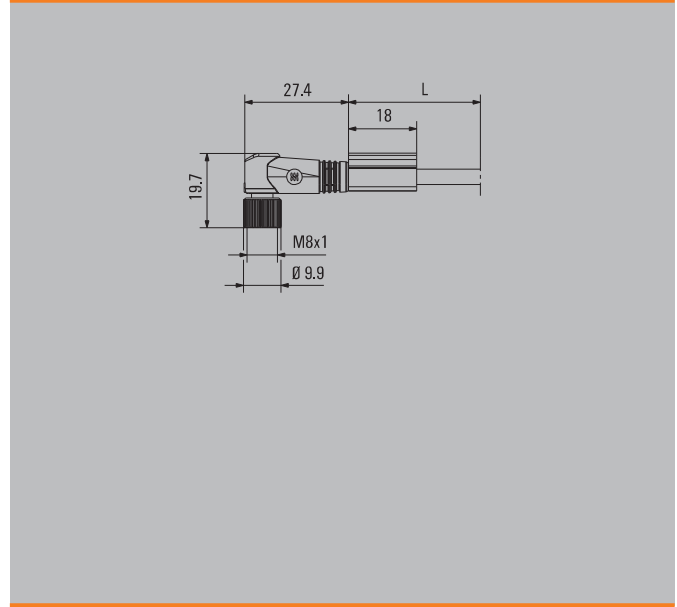
Standard cable lengths

All cables listed in the ordering data have a length of 1.5 metres. The last four ordering digits must be changed when ordering other standard cable lengths.	1.5 m	xxxxxx0150
	3.0 m	xxxxxx0300
	5.0 m	xxxxxx0500
	10.0 m	xxxxxx1000

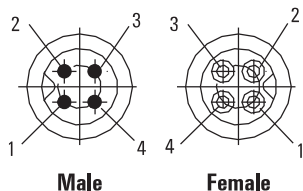
Technical data

Rated current	4 A
Protection degree	IP 65, IP 66, IP 67, IP 68, (when screwed in)
Core cross-section	0.25 mm ²
Contact surface	Gold-plated
Temperature range of housing	-25...+85 °C
Rated voltage (acc. to VDE standard 0110 ISO group C)	24 V
Approvals	EAC

Dimensioned drawing



One end without connector
M5



Ordering data

		3-pole	4-pole		
Male, straight					
PUR halogen-free	1.5 m	SAIL-M5G-3P-1.5U	1854060150	SAIL-M5G-4P-1.5U	1871700150
Male, angled					
PUR halogen-free	1.5 m	SAIL-M5W-3P-1.5U	1873280150	SAIL-M5W-4P-1.5U	1873240150
Female, straight					
PUR halogen-free	1.5 m	SAIL-M5BG-3P-1.5U	1873290150	SAIL-M5BG-4P-1.5U	1873250150
Female, angled					
PUR halogen-free	1.5 m	SAIL-M5BW-3P-1.5U	1873260150	SAIL-M5BW-4P-1.5U	1873270150
Note		Other versions on request		Other versions on request	

Standard cable lengths

All cables listed in the ordering data have a length of 1.5 metres. The last four ordering digits must be changed when ordering other standard cable lengths.

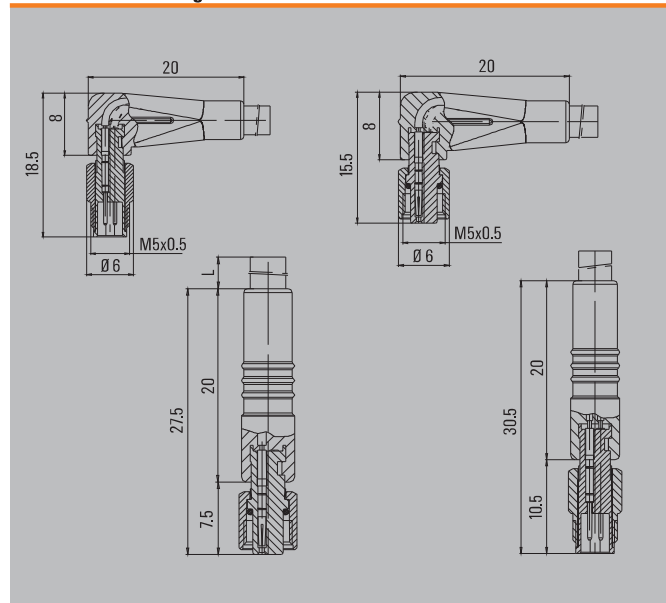
1.5 m	xxxxxx0150
3.0 m	xxxxxx0300
5.0 m	xxxxxx0500
10.0 m	xxxxxx1000

Technical data

Rated current	1 A
Protection degree	IP 67, (when screwed in)
Core cross-section	0.25 mm ²
Contact surface	Gold-plated
Temperature range of housing	-25...+85 °C
Rated voltage	60 V
(acc. to VDE standard 0110 ISO group C)	
Approvals	EAC

Chapter W includes additional technical specifications for the cable

Dimensioned drawing



Sensor cables

**One end without connector
M16**



Female

Ordering data

Ordering data		12-pole	
PUR	1.5 m	SAIL-M16BW-12-1.5U	1259010150
Note			

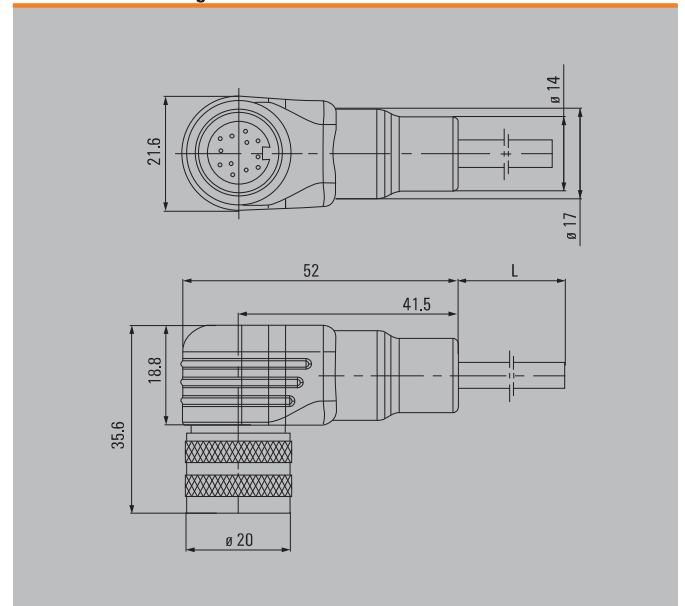
Standard cable lengths

All cables listed in the ordering data have a length of 1.5 metres. The last four ordering digits must be changed when ordering other standard cable lengths.	1.5 m	xxxxxx0150
	3.0 m	xxxxxx0300
	5.0 m	xxxxxx0500
	10.0 m	xxxxxx1000

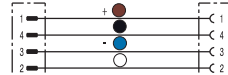
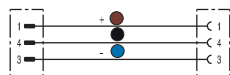
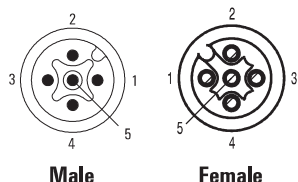
Technical data

Rated current	3 A
Protection degree	IP 67
Core cross-section	0.25 mm ²
Contact surface	Gold-plated
Temperature range of housing	-25 ... +70 °C
Rated voltage (acc. to VDE standard 0110 ISO Group C)	60 V

Dimensioned drawing



Connecting cables
M12 to M12
A-coded



Ordering data

Male, straight - Female, straight	
PVC	1.5 m
PUR halogen-free	1.5 m
PUR halogen-free yellow	1.5 m
Resistant to welding beads	1.5 m
Male, straight - Female, angled	
PVC	1.5 m
PUR halogen-free	1.5 m
PUR halogen-free yellow	1.5 m
Resistant to welding beads	1.5 m
Male, angled - Female, angled	
PVC	1.5 m
PUR halogen-free	1.5 m

3-pole	
SAIL-M12GM12G-3-1.5V	1925300150
SAIL-M12GM12G-3-1.5U	9457230150
SAIL-M12GM12G-3-1.5UGE	1093010150
SAIL-M12GM12G-3-1.5T	1021710150
4-pole	
SAIL-M12GM12G-4-1.5V	1925310150
SAIL-M12GM12G-4-1.5U	1906300150
SAIL-M12GM12G-4-1.5UGE	1093020150
SAIL-M12GM12G-4-1.5T	1021730150
5-pole	
SAIL-M12GM12G-5-1.5V	1925320150
SAIL-M12GM12G-5-1.5U	9457340150
SAIL-M12GM12G-5-1.5UGE	1093030150
SAIL-M12GM12G-5-1.5T	1011970150
Male, straight - Female, angled	
SAIL-M12GM12W-3-1.5V	1925340150
SAIL-M12GM12W-3-1.5U	9457390150
SAIL-M12GM12W-3-1.5UGE	1093050150
SAIL-M12GM12W-3-1.5T	1021720150
Male, angled - Female, angled	
SAIL-M12WM12W-3-1.5V	1925380150
SAIL-M12WM12W-3-1.5U	1815670150

3-pole	
SAIL-M12GM12G-3-1.5V	1925300150
SAIL-M12GM12G-3-1.5U	9457230150
SAIL-M12GM12G-3-1.5UGE	1093010150
SAIL-M12GM12G-3-1.5T	1021710150
4-pole	
SAIL-M12GM12G-4-1.5V	1925310150
SAIL-M12GM12G-4-1.5U	1906300150
SAIL-M12GM12G-4-1.5UGE	1093020150
SAIL-M12GM12G-4-1.5T	1021730150
5-pole	
SAIL-M12GM12G-5-1.5V	1925320150
SAIL-M12GM12G-5-1.5U	9457340150
SAIL-M12GM12G-5-1.5UGE	1093030150
SAIL-M12GM12G-5-1.5T	1011970150
Male, straight - Female, angled	
SAIL-M12GM12W-3-1.5V	1925340150
SAIL-M12GM12W-3-1.5U	9457390150
SAIL-M12GM12W-3-1.5UGE	1093050150
SAIL-M12GM12W-3-1.5T	1021720150
Male, angled - Female, angled	
SAIL-M12WM12W-3-1.5V	1925380150
SAIL-M12WM12W-3-1.5U	1815670150

3-pole	
SAIL-M12GM12G-3-1.5V	1925300150
SAIL-M12GM12G-3-1.5U	9457230150
SAIL-M12GM12G-3-1.5UGE	1093010150
SAIL-M12GM12G-3-1.5T	1021710150
4-pole	
SAIL-M12GM12G-4-1.5V	1925310150
SAIL-M12GM12G-4-1.5U	1906300150
SAIL-M12GM12G-4-1.5UGE	1093020150
SAIL-M12GM12G-4-1.5T	1021730150
5-pole	
SAIL-M12GM12G-5-1.5V	1925320150
SAIL-M12GM12G-5-1.5U	9457340150
SAIL-M12GM12G-5-1.5UGE	1093030150
SAIL-M12GM12G-5-1.5T	1011970150
Male, straight - Female, angled	
SAIL-M12GM12W-3-1.5V	1925340150
SAIL-M12GM12W-3-1.5U	9457390150
SAIL-M12GM12W-3-1.5UGE	1093050150
SAIL-M12GM12W-3-1.5T	1021720150
Male, angled - Female, angled	
SAIL-M12WM12W-3-1.5V	1925380150
SAIL-M12WM12W-3-1.5U	1815670150

Standard cable lengths

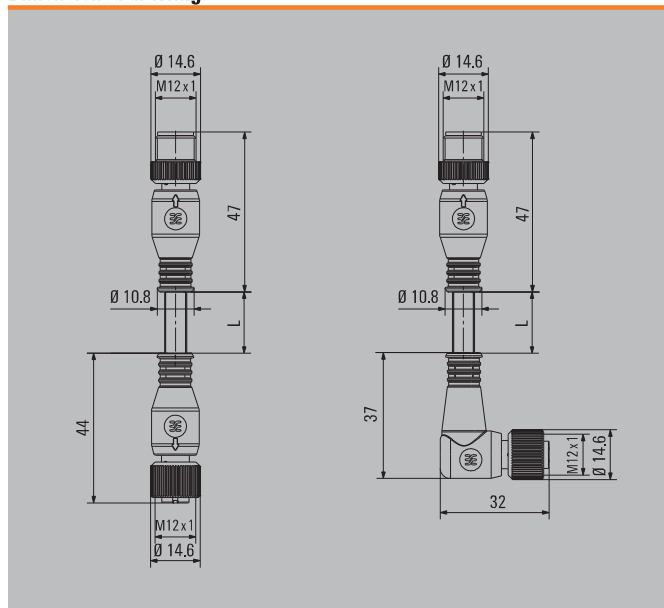
All cables listed in the ordering data have a length of 1.5 metres. The last four ordering digits must be changed when ordering other standard cable lengths.	1.5 m	xxxxxx0150
	3.0 m	xxxxxx0300
	5.0 m	xxxxxx0500
	10.0 m	xxxxxx1000

Technical data

Rated current	4 A
Protection degree	IP 65, IP 66, IP 67, IP 68, (when screwed in)
Core cross-section	0.34 mm ²
Contact surface	Gold-plated
Temperature range of housing	-25...+85 °C
Rated voltage (acc. to VDE standard 0110 ISO group C)	250 V (3- and 4-pole) / 125 V (5-pole)
Approvals	cULus; EAC

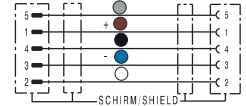
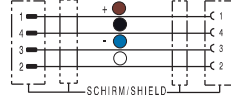
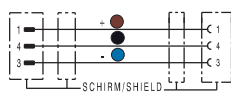
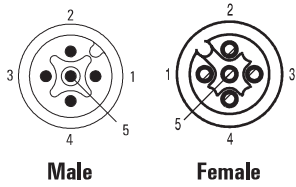
Chapter W includes additional technical specifications for the cable

Dimensioned drawing



Sensor cables

Connecting cables
M12 to M12
A-coded
shielded



Ordering data

Male, straight - Female, straight	
PUR halogen-free	1.5 m
Male, straight - Female, angled	
PUR halogen-free	1.5 m
Male, angled - Female, angled	
PUR halogen-free	1.5 m
Note	

3-pole	
SAIL-M12GM12G-3S1.5U	1058490150
SAIL-M12GM12W-3S1.5U	1059470150
SAIL-M12WM12W-3S1.5U	1059720150
Other versions on request	

4-pole	
SAIL-M12GM12G-4S1.5U	1058500150
SAIL-M12GM12W-4S1.5U	1059480150
SAIL-M12WM12W-4S1.5U	1059730150
Other versions on request	

5-pole	
SAIL-M12GM12G-5S1.5U	1058510150
SAIL-M12GM12W-5S1.5U	1059540150
SAIL-M12WM12W-5S1.5U	1059740150
Other versions on request	

Standard cable lengths

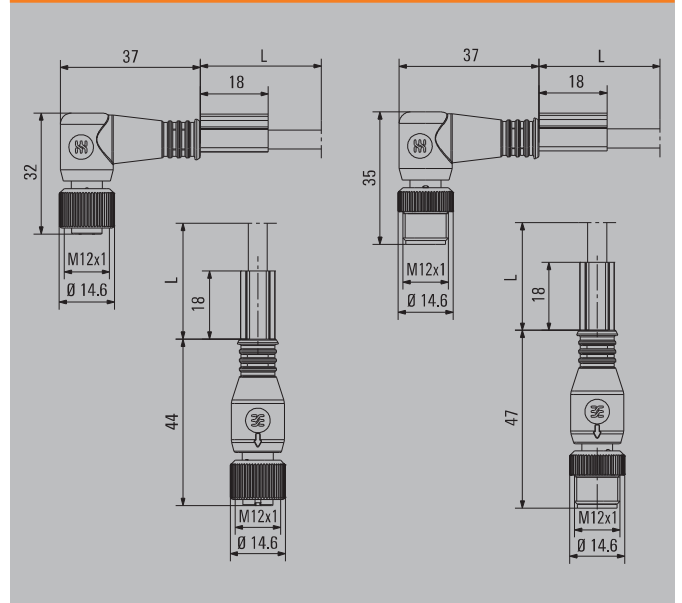
All cables listed in the ordering data have a length of 1.5 metres. The last four ordering digits must be changed when ordering other standard cable lengths.	1.5 m	xxxxxx0150
	3.0 m	xxxxxx0300
	5.0 m	xxxxxx0500
	10.0 m	xxxxxx1000

Technical data

Rated current	4 A
Protection degree	IP 65, IP 66, IP 67, IP 68, (when screwed in)
Core cross-section	0.34 mm ²
Contact surface	Gold-plated
Temperature range of housing	-25...+85 °C
Rated voltage (acc. to VDE standard 0110 ISO group C)	250 V (3- and 4-pole) / 125 V (5-pole)
Approvals	cULus; EAC

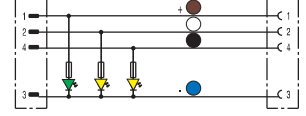
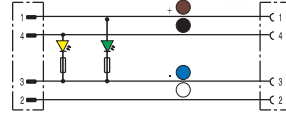
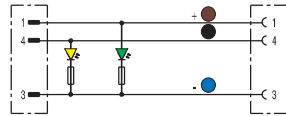
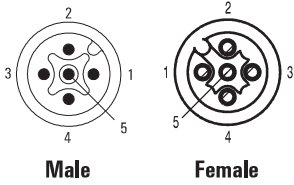
Chapter W includes additional technical specifications for the cable

Dimensioned drawing



Sensor cables

Connecting cables
M12 to M12 with LED
A-coded



Ordering data

Male, straight - Female, angled	
PVC	1.5 m
PUR halogen-free	1.5 m
PUR halogen-free yellow	1.5 m
Resistant to welding beads	1.5 m
Note	

2 LEDs	3-pole
SAIL-M12GM12W-3L1.5V	1925410150
SAIL-M12GM12W-3L1.5U	9457790150
SAIL-M12GM12W-3L1.5T	1004320150
Other versions on request	

2 LEDs	4-pole
SAIL-M12GM12W-4-2L1.5V	1925420150
SAIL-M12GM12W-4-2L1.5U	1906410150
SAIL-M12GM12W-4-2L1.5T	1004310150
Other versions on request	

3 LEDs	4-pole
SAIL-M12GM12W-4-3L1.5V	1963930150
SAIL-M12GM12W-4-3L1.5U	1963910150
SAIL-M12GM12W-4-3LW1.5UGE	1093060150
SAIL-M12GM12W-4-3LW1.5T	1020930150
Other versions on request	

Standard cable lengths

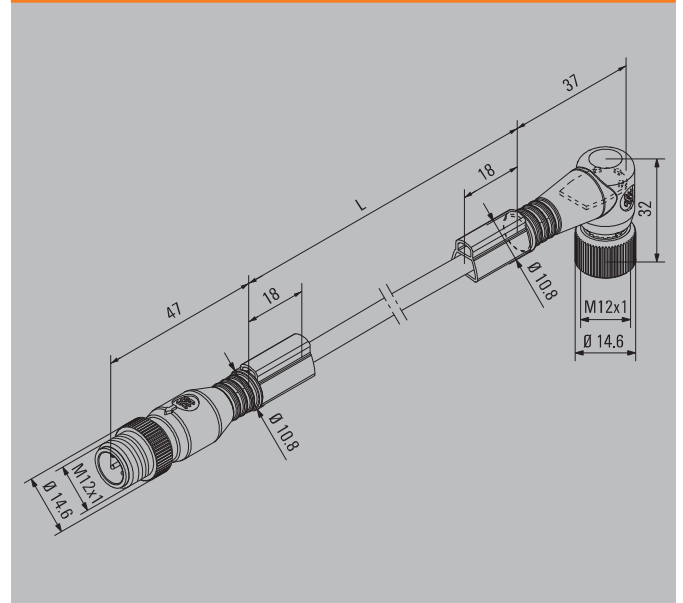
All cables listed in the ordering data have a length of 1.5 metres. The last four ordering digits must be changed when ordering other standard cable lengths.	1.5 m	xxxxxx0150
	3.0 m	xxxxxx0300
	5.0 m	xxxxxx0500
	10.0 m	xxxxxx1000

Technical data

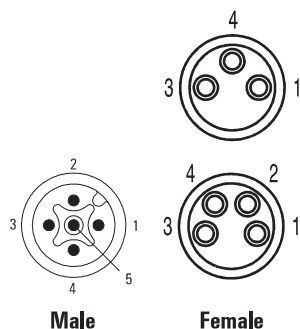
Rated current	4 A
Protection degree	IP 65, IP 66, IP 67, IP 68, (when screwed in)
Core cross-section	0.34 mm ²
Contact surface	Gold-plated
Temperature range of housing	-25...+85 °C
Rated voltage (acc. to VDE standard 0110 ISO group C)	24 V
Approvals	EAC

Chapter W includes additional technical specifications for the cable

Dimensioned drawing



Connecting cables
M12 to M8



Ordering data

Male, straight - Female, straight	
PVC	1.5 m
PUR halogen-free	1.5 m
Male, straight - Female, angled	
PVC	1.5 m
PUR halogen-free	1.5 m
Male, angled - Female, angled	
PVC	1.5 m
PUR halogen-free	1.5 m
Note	

3-pole	
SAIL-M12GM8G-3-1.5V	1938170150
SAIL-M12GM8G-3-1.5U	9457770150
SAIL-M12GM8W-3-1.5V	1938180150
SAIL-M12GM8W-3-1.5U	9457980150
SAIL-M12WM8W-3-1.5V	1938190150
SAIL-M12WM8W-3-1.5U	1906330150
Other versions on request	

4-pole	
SAIL-M12GM8G-4-1.5V	1938200150
SAIL-M12GM8G-4-1.5U	9456660150
SAIL-M12GM8W-4-1.5V	1938210150
SAIL-M12GM8W-4-1.5U	9456670150
SAIL-M12WM8W-4-1.5V	1938220150
SAIL-M12WM8W-4-1.5U	1906340150
Other versions on request	

Standard cable lengths

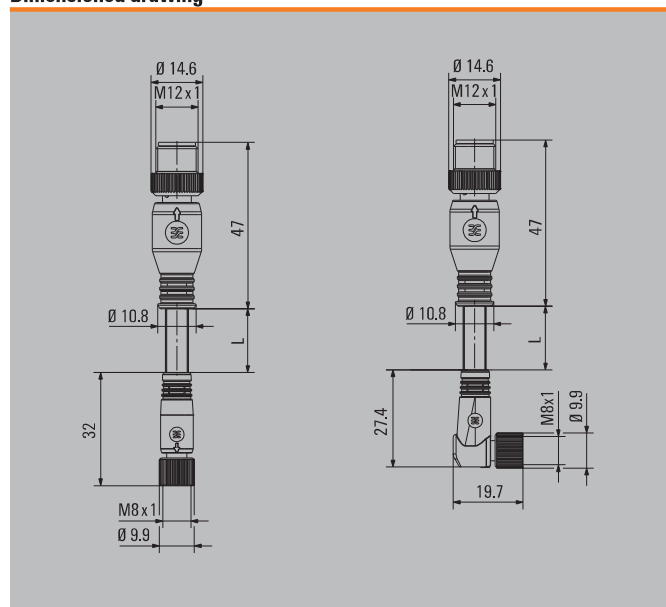
All cables listed in the ordering data have a length of 1.5 metres. The last four ordering digits must be changed when ordering other standard cable lengths.	1.5 m	xxxxxx0150
	3.0 m	xxxxxx0300
	5.0 m	xxxxxx0500
	10.0 m	xxxxxx1000

Technical data

Rated current	4 A
Protection degree	IP 65, IP 66, IP 67, IP 68, (when screwed in)
Core cross-section	0.25 mm ²
Contact surface	Gold-plated
Temperature range of housing	-25...+85 °C
Rated voltage (acc. to VDE standard 0110 ISO group C)	60 V (3-pole) / 30 V (4-pole)
Approvals	cURus; EAC

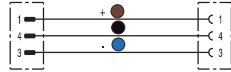
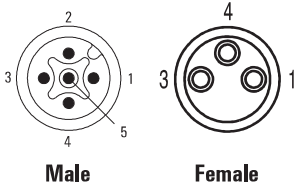
Chapter W includes additional technical specifications for the cable

Dimensioned drawing



Sensor cables

Connecting cables
M12 to M8
snap-on connection



Ordering data

Male, straight - Female, straight	
PUR halogen-free	1.5 m
Male, straight - Female, angled	
PUR halogen-free	1.5 m
PUR halogen-free yellow	1.5 m
Note	

	3-pole
SAIL-M12GM8GR-3-1.5U	1984530150
SAIL-M12GM8WR-3-1.5U	9457570150
SAIL-M12GM8WR-3-1.5UGE	1093150150
Other versions on request	

Standard cable lengths

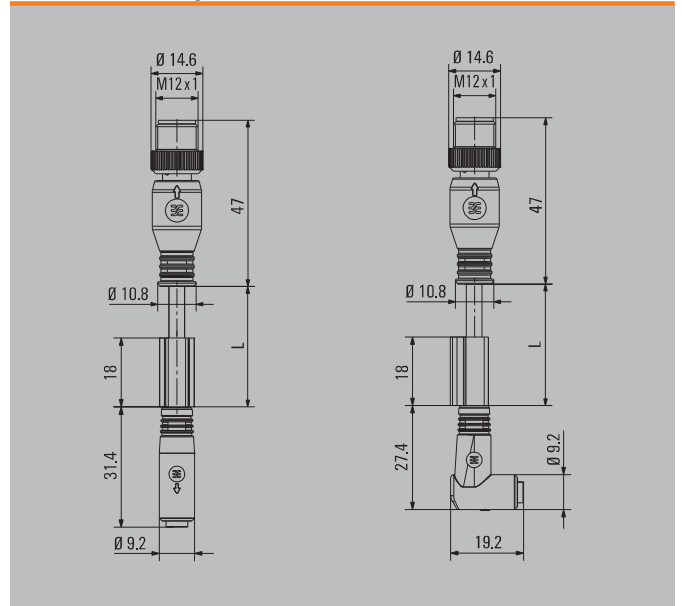
All cables listed in the ordering data have a length of 1.5 metres. The last four ordering digits must be changed when ordering other standard cable lengths.	1.5 m	xxxxxx0150
	3.0 m	xxxxxx0300
	5.0 m	xxxxxx0500
	10.0 m	xxxxxx1000

Technical data

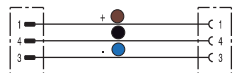
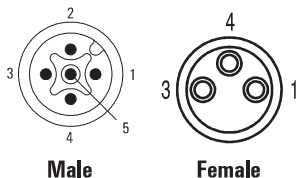
Rated current	4 A
Protection degree	IP65 (in plugged condition)
Core cross-section	0.25 mm ²
Contact surface	Gold-plated
Temperature range of housing	-25...+85 °C
Rated voltage	60 V
(acc. to VDE standard 0110 ISO group C)	
Approvals	EAC

Chapter W includes additional technical specifications for the cable

Dimensioned drawing



Connecting cable
M12 to M8
with plastic threaded ring



Ordering data

Male, straight - Female, angled	
PUR halogen-free	1.5 m
Note	

	3-pole	
SAIP-M12GM8W-3-1.5U	1220620150	

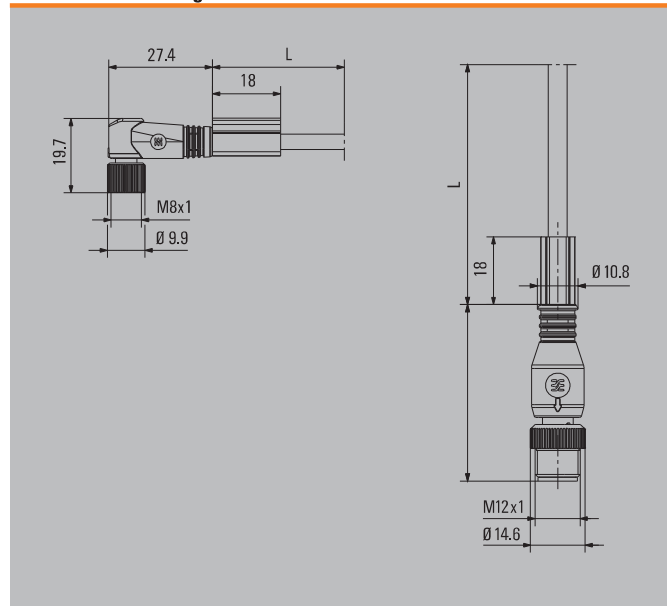
Standard cable lengths

All cables listed in the ordering data have a length of 1.5 metres. The last four ordering digits must be changed when ordering other standard cable lengths.	1.5 m	xxxxxx0150
	3.0 m	xxxxxx0300
	5.0 m	xxxxxx0500
	10.0 m	xxxxxx1000

Technical data

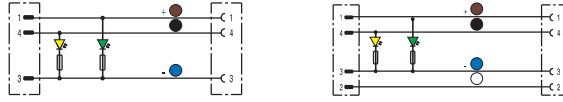
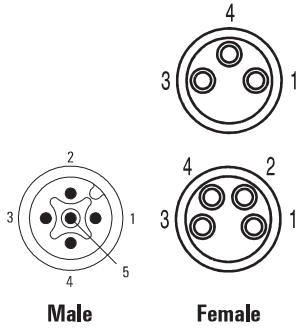
Rated current	4 A
Protection degree	IP 65, IP 66, IP 67, IP 68, (when screwed in)
Core cross-section	0.25 mm ²
Contact surface	Gold-plated
Temperature range of housing	-25...+85 °C
Rated voltage (acc. to VDE standard 0110 ISO group C)	60 V
Approvals	EAC

Dimensioned drawing



Sensor cables

Connecting cables
M12 to M8 with LED



Ordering data

Male, straight - Female, angled	
PVC	1.5 m
PUR halogen-free	1.5 m
PUR halogen-free yellow	1.5 m
Note	

2 LEDs	3-pole
SAIL-M12GM8W-3L1.5V	1962290150
SAIL-M12GM8W-3L1.5U	9457760150
SAIL-M12GM8W-3L1.5UGE	1093110150
Other versions on request	

2 LEDs	4-pole
SAIL-M12GM8W-4L1.5V	1962300150
SAIL-M12GM8W-4L1.5U	1906430150
SAIL-M12GM8W-4L1.5UGE	1093130150
Other versions on request	

Standard cable lengths

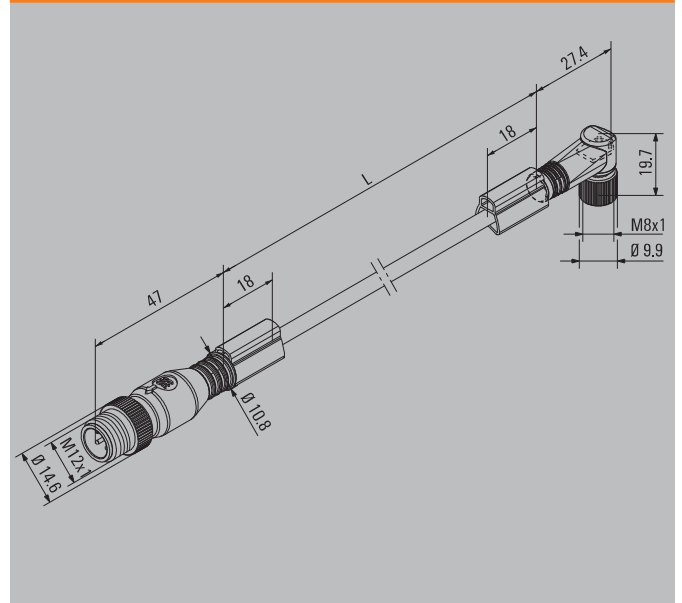
All cables listed in the ordering data have a length of 1.5 metres. The last four ordering digits must be changed when ordering other standard cable lengths.	1.5 m	xxxxxx0150
	3.0 m	xxxxxx0300
	5.0 m	xxxxxx0500
	10.0 m	xxxxxx1000

Technical data

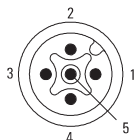
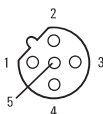
Rated current	4 A
Protection degree	IP 65, IP 66, IP 67, IP 68, (when screwed in)
Core cross-section	0.25 mm ²
Contact surface	Gold-plated
Temperature range of housing	-25...+85 °C
Rated voltage (acc. to VDE standard 0110 ISO group C)	24 V
Approvals	cURus; EAC

Chapter W includes additional technical specifications for the cable

Dimensioned drawing



Connecting cables
M12 to USB
A-coded
B-coded
shielded



Male

Female



Ordering data

Socket, straight - USB	
PUR halogen-free	1.5 m
PUR halogen-free	3.0 m
Pin, straight - USB	
PUR halogen-free	3.0 m
Note	

5-pole	
SAIL-M12BG-USB-3.0U	1288820300

5-pole	
SAIL-M12BG-USB-1.5U	1962800150

5-pole	
SAIL-M12G-USB-3.0U	1268520000

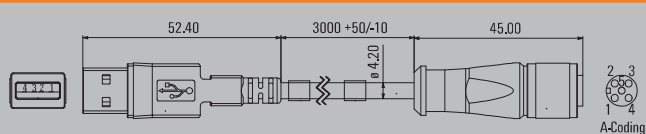
Standard cable lengths

All cables listed in the ordering data have a length of 1.5 metres. The last four ordering digits must be changed when ordering other standard cable lengths.	1.5 m	xxxxxx0150
	3.0 m	xxxxxx0300
	5.0 m	xxxxxx0500
	10.0 m	xxxxxx1000

Technical data

Rated current	1 A
Protection degree	IP 67
Core cross-section	
Contact surface	Gold-plated
Temperature range of housing	-25...+80 °C
Rated voltage	5 V
(acc. to VDE standard 0110 ISO group C)	
Approvals	EAC

Dimensioned drawing



1288820300 + 1962800150

USB-A Connector	Signal	M12 Connector	Signal
Pin 1	+ 5V	Pin 1	+ 5V
Pin 2	- Data	Pin 2	Data-N
Pin 3	+ Data	Pin 3	Ground
Pin 4	Ground	Pin 4	Data-P
Connector Shielding	Shield	Pin 5	Shield

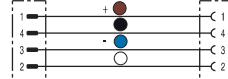
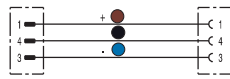
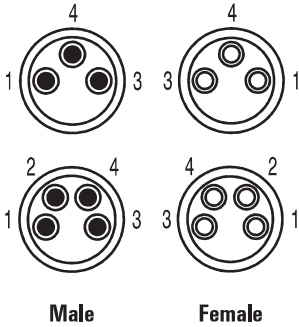
1268520000

USB-A Connector	Signal	M12 Connector	Signal
Pin 1	+ 5V	Pin 1	Data-N
Pin 2	- Data	Pin 2	+ 5V
Pin 3	+ Data	Pin 3	Not connected
Pin 4	Ground	Pin 4	Data-P
Connector Shielding	Shield	Pin 5	Ground

Sensor cables

Connecting cables

M8 to M8



Ordering data

Male, straight - Female, straight	
PVC	1.5 m
PUR halogen-free	1.5 m
PUR halogen-free yellow	1.5 m
Male, straight - Female, angled	
PVC	1.5 m
PUR halogen-free	1.5 m
Male, angled - Female, angled	
PVC	1.5 m
PUR halogen-free	1.5 m
Note	

3-pole	
SAIL-M8GM8G-3-1.5V	1927150150
SAIL-M8GM8G-3-1.5U	1824570150
SAIL-M8GM8G-3-1.5UGE	1104470150
3-pole, angled	
SAIL-M8GM8W-3-1.5V	1927170150
SAIL-M8GM8W-3-1.5U	1824580150
4-pole	
SAIL-M8WM8W-3-1.5V	1927210150
SAIL-M8WM8W-3-1.5U	1857670150
Other versions on request	

4-pole	
SAIL-M8GM8G-4-1.5V	1927160150
SAIL-M8GM8G-4-1.5U	1880470150
SAIL-M8GM8G-4-1.5UGE	1469360150
4-pole, angled	
SAIL-M8GM8W-4-1.5V	1927180150
SAIL-M8GM8W-4-1.5U	1857660150
4-pole, angled, shielded	
SAIL-M8WM8W-4-1.5V	1927220150
SAIL-M8WM8W-4-1.5U	1857680150
Other versions on request	

Standard cable lengths

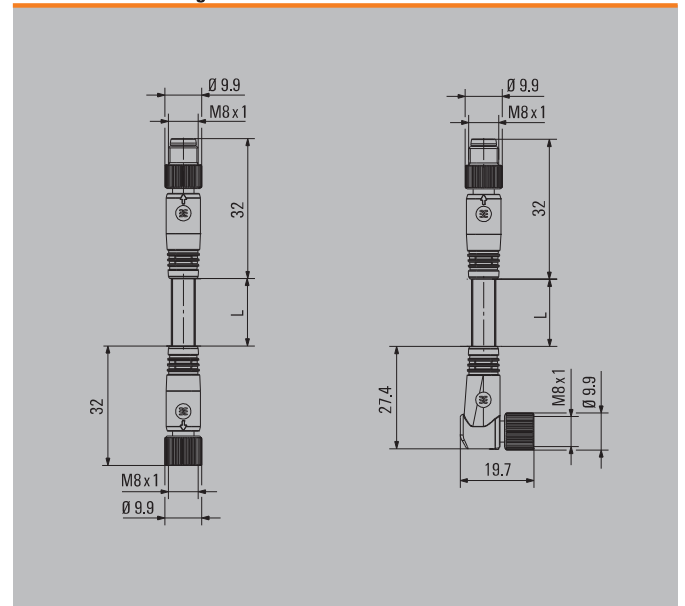
All cables listed in the ordering data have a length of 1.5 metres. The last four ordering digits must be changed when ordering other standard cable lengths.	1.5 m	xxxxxx0150
	3.0 m	xxxxxx0300
	5.0 m	xxxxxx0500
	10.0 m	xxxxxx1000

Technical data

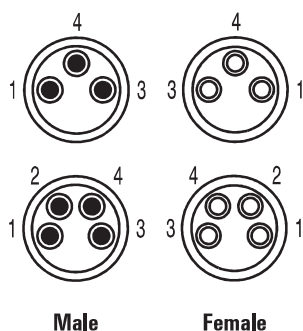
Rated current	4 A
Protection degree	IP 65, IP 66, IP 67, IP 68, (when screwed in)
Core cross-section	0.25 mm ²
Contact surface	Gold-plated
Temperature range of housing	-25...+85 °C
Rated voltage (acc. to VDE standard O110 ISO group C)	60 V (3-pole) / 30 V (4-pole)
Approvals	cURus; EAC

Chapter W includes additional technical specifications for the cable

Dimensioned drawing



Connecting cables
M8 to M8
snap-on connection



Ordering data

Male, straight - Female, straight	
PVC	1.5 m
PUR halogen-free	1.5 m
Male, straight - Female, angled	
PVC	1.5 m
PUR halogen-free	1.5 m
Male, angled - Female, angled	
PVC	1.5 m
PUR halogen-free	1.5 m
Note	

3-pole	
SAIL-M8GM8GR-3-1.5V	1948650150
SAIL-M8GM8GR-3-1.5U	1948470150
SAIL-M8GM8WR-3-1.5V	1948660150
SAIL-M8GM8WR-3-1.5U	1948480150
SAIL-M8WM8WR-3-1.5V	1948670150
SAIL-M8WM8WR-3-1.5U	1948490150
Other versions on request	

4-pole	
SAIL-M8GM8GR-4-1.5V	1948680150
SAIL-M8GM8GR-4-1.5U	1948500150
SAIL-M8GM8WR-4-1.5V	1948690150
SAIL-M8GM8WR-4-1.5U	1948510150
SAIL-M8WM8WR-4-1.5V	1948700150
SAIL-M8WM8WR-4-1.5U	1948520150
Other versions on request	

Standard cable lengths

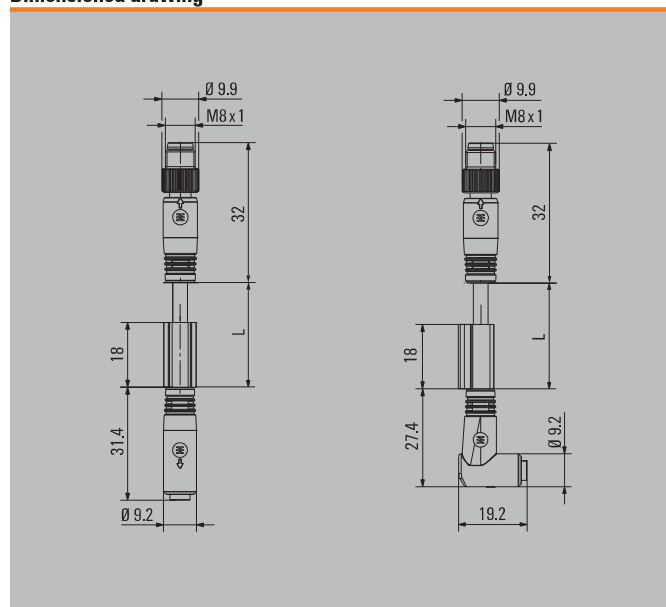
All cables listed in the ordering data have a length of 1.5 metres. The last four ordering digits must be changed when ordering other standard cable lengths.	1.5 m	xxxxxx0150
	3.0 m	xxxxxx0300
	5.0 m	xxxxxx0500
	10.0 m	xxxxxx1000

Technical data

Rated current	4 A
Protection degree	IP65 (in plugged condition)
Core cross-section	0.25 mm ²
Contact surface	Gold-plated
Temperature range of housing	-25...+85 °C
Rated voltage	60 V (3-pole) / 30 V (4-pole)
(acc. to VDE standard 0110 ISO group C)	
Approvals	EAC

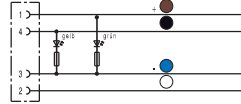
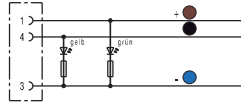
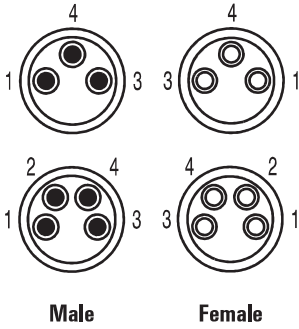
Chapter W includes additional technical specifications for the cable

Dimensioned drawing



Sensor cables

Connecting cables
M8 to M8 with LED



Ordering data

Male, straight - Female, angled	
PVC	1.5 m
PUR halogen-free	1.5 m
Note	

2 LEDs	3-pole
SAIL-M8GM8W-3L1.5V	1927190150
SAIL-M8GM8W-3L1.5U	1877250150
Other versions on request	

2 LEDs	4-pole
SAIL-M8GM8W-4L1.5V	1927200150
SAIL-M8GM8W-4L1.5U	1906450150
Other versions on request	

Standard cable lengths

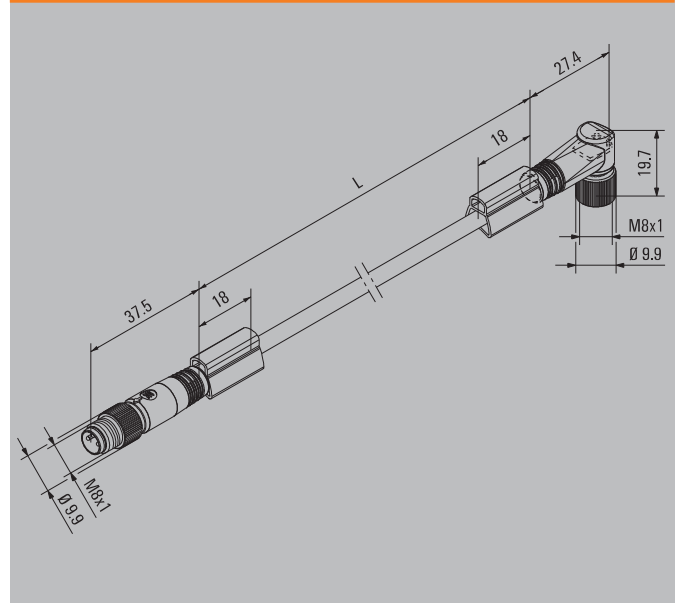
All cables listed in the ordering data have a length of 1.5 metres. The last four ordering digits must be changed when ordering other standard cable lengths.	1.5 m	xxxxxx0150
	3.0 m	xxxxxx0300
	5.0 m	xxxxxx0500
	10.0 m	xxxxxx1000

Technical data

Rated current	4 A
Protection degree	IP 65, IP 66, IP 67, IP 68, (when screwed in)
Core cross-section	0.25 mm ²
Contact surface	Gold-plated
Temperature range of housing	-25...+85 °C
Rated voltage (acc. to VDE standard 0110 ISO group C)	24 V
Approvals	cURus; EAC

Chapter W includes additional technical specifications for the cable

Dimensioned drawing



Twin sensor cables with three plug-in connectors: M12/M8

Twin sensor cables



In general, two sensor cables can be fed with an M12 connector to the distributor. A wide variety of wiring arrangements are possible with these cables. All M12 and M8 connections can be implemented.

Weidmüller has all the necessary components available. With mechanical engineering, this type of application is an exception.

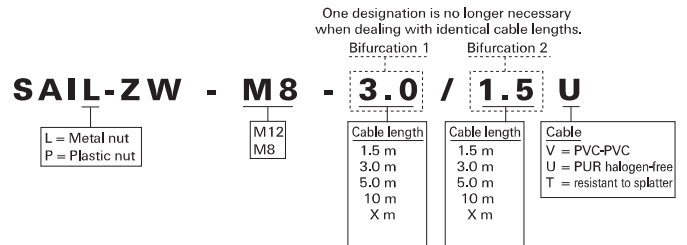
4-pole connection

In the SAI distributor, the 4 pole socket is fitted with pins 1, 3, 4 and 5. The 4 pole SAI plug is fitted with pins 1, 2, 3 and 4. This corresponds to market standards.

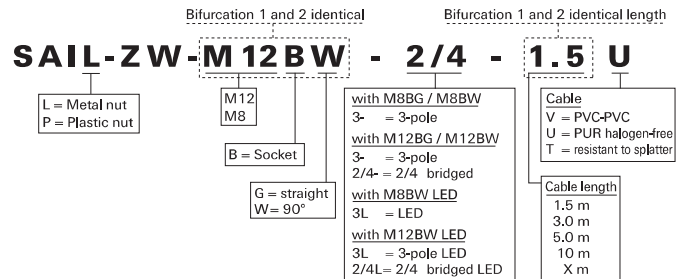
Special care must be taken when wiring combinations of 4-pole plugs and distributors.

Designation

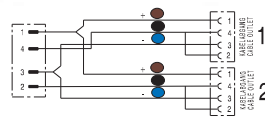
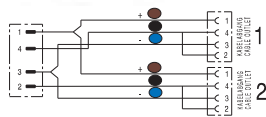
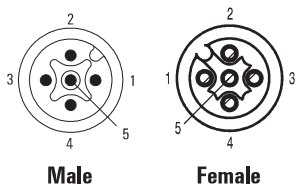
Twin plug
Bifurcation open for "1" and "2" ends



Twin plug
Connecting cable



Connecting cable
M12 to M12 twin cabling
Bridge between pin 2 and 4



Ordering data

Male straight - 2 females straight	
PUR halogen-free	1.5 m
Male straight - 2 females angled	
PUR halogen-free	1.5 m
Note	

3-pole	
SAIL-ZW-M12BG-3-1.5U	1005460150
SAIL-ZW-M12BW-3-1.5U	1005270150

3-pole	
SAIL-ZW-M12BG-2/4-1.5U	1812550150
SAIL-ZW-M12BW-2/4-1.5U	1964280150

Standard cable lengths

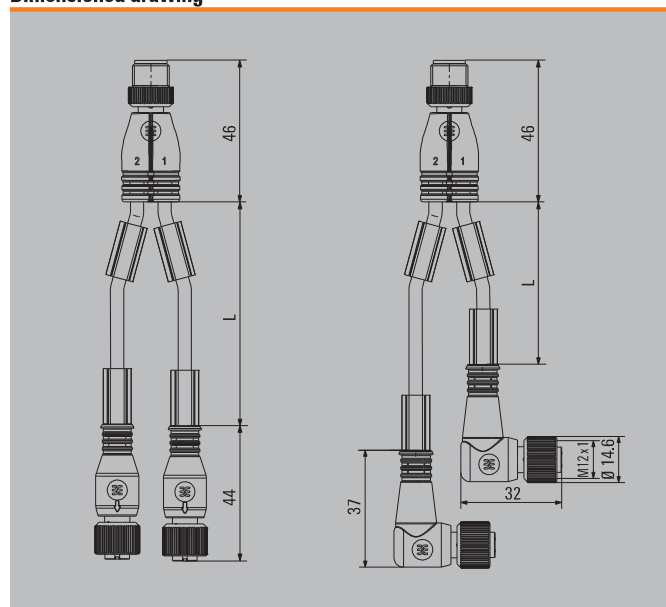
All cables listed in the ordering data have a length of 1.5 metres. The last four ordering digits must be changed when ordering other standard cable lengths.	1.5 m	xxxxxx0150
	3.0 m	xxxxxx0300
	5.0 m	xxxxxx0500
	10.0 m	xxxxxx1000

Technical data

Rated current	4 A
Protection degree	IP 65, IP 66, IP 67, IP 68, (when screwed in)
Core cross-section	0.34 mm ²
Contact surface	Gold-plated
Temperature range of housing	-25...+85 °C
Rated voltage (acc. to VDE standard 0110 ISO group C)	250 V
Approvals	CSA; cURus; EAC

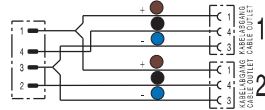
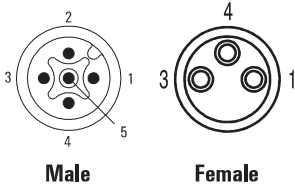
Chapter W includes additional technical specifications for the cable

Dimensioned drawing



Sensor cables

Connecting cable
M12 to M8 twin cabling



Ordering data

Male straight - 2 females straight	
PUR halogen-free	1.5 m
PUR halogen-free yellow	1.5 m
Male straight - 2 females angled	
PUR halogen-free	1.5 m
PUR halogen-free yellow	1.5 m
Note	

3-pole	
SAIL-ZW-M8BG-3-1.5U	9457490150
SAIL-ZW-M8BG-3-1.5UGE	1093250150
SAIL-ZW-M8BW-3-1.5U	1964300150
SAIL-ZW-M8BW-3-1.5UGE	1093260150
Other versions on request	

Standard cable lengths

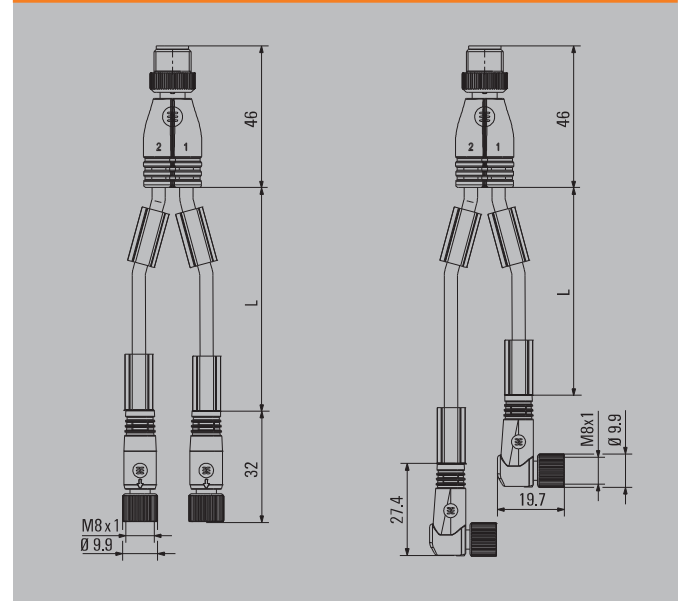
All cables listed in the ordering data have a length of 1.5 metres. The last four ordering digits must be changed when ordering other standard cable lengths.	1.5 m	xxxxxx0150
	3.0 m	xxxxxx0300
	5.0 m	xxxxxx0500
	10.0 m	xxxxxx1000

Technical data

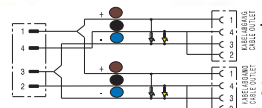
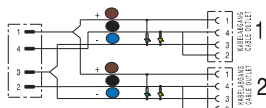
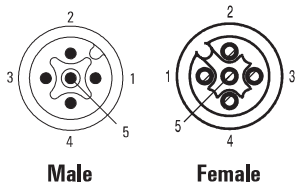
Rated current	4 A
Protection degree	IP 65, IP 66, IP 67, IP 68, (when screwed in)
Core cross-section	0.25 mm ²
Contact surface	Gold-plated
Temperature range of housing	-25...+85 °C
Rated voltage (acc. to VDE standard 0110 ISO group C)	60 V
Approvals	cURus; EAC

Chapter W includes additional technical specifications for the cable

Dimensioned drawing



Connecting cable
M12 to M12 twin cabling with LED
Bridge between pin 2 and 4



Ordering data

Male straight - 2 females angled	
PUR halogen-free	1.5 m
Note	

2 LEDs	3-pole
SAIL-ZW-M12BW-2/4L1.5U	1964290150

2 LEDs	3-pole
SAIL-ZW-M12BW-3L1.5U	1912110150

Standard cable lengths

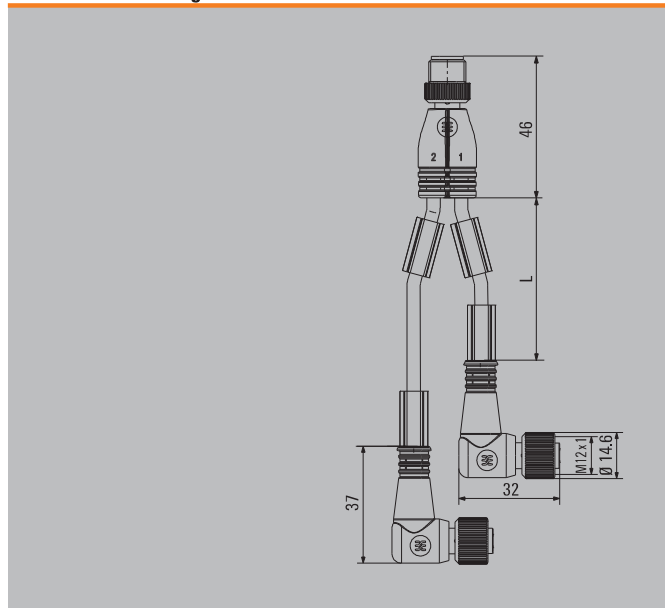
All cables listed in the ordering data have a length of 1.5 metres. The last four ordering digits must be changed when ordering other standard cable lengths.	1.5 m	xxxxxx0150
	3.0 m	xxxxxx0300
	5.0 m	xxxxxx0500
	10.0 m	xxxxxx1000

Technical data

Rated current	4 A
Protection degree	IP 65, IP 66, IP 67, IP 68, (when screwed in)
Core cross-section	0.34 mm ²
Contact surface	Gold-plated
Temperature range of housing	-25...+85 °C
Rated voltage (acc. to VDE standard 0110 ISO group C)	250 V (3- and 4-pole) / 125 V (5-pole)
Approvals	EAC

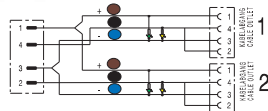
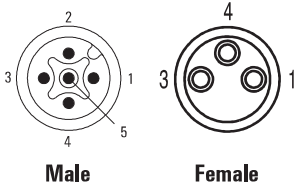
Chapter W includes additional technical specifications for the cable

Dimensioned drawing



Sensor cables

**Connecting cable
M12 to M8 twin cabling with LED**



Ordering data

Male straight - 2 females angled	
PUR halogen-free	1.5 m
Note	

2 LEDs	3-pole
SAIL-ZW-M8BW-3L1.5U	9457410150
Other versions on request	

Standard cable lengths

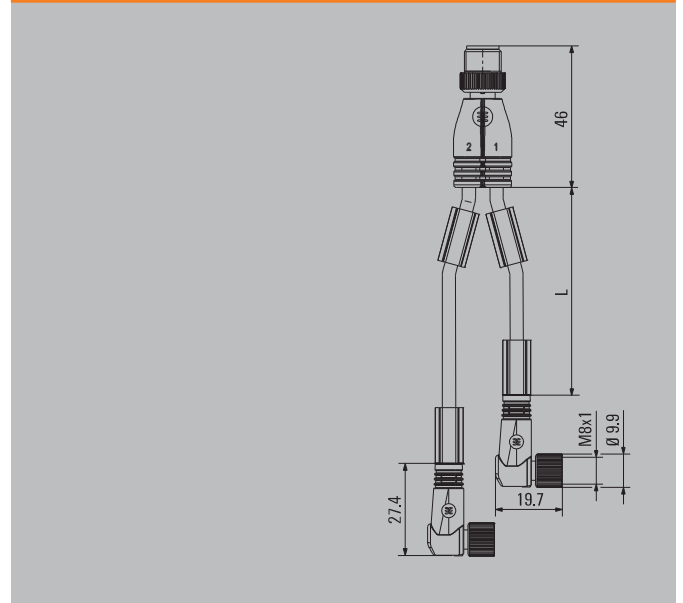
All cables listed in the ordering data have a length of 1.5 metres. The last four ordering digits must be changed when ordering other standard cable lengths.	1.5 m	xxxxxx0150
	3.0 m	xxxxxx0300
	5.0 m	xxxxxx0500
	10.0 m	xxxxxx1000

Technical data

Rated current	4 A
Protection degree	IP 65, IP 66, IP 67, IP 68, (when screwed in)
Core cross-section	0.25 mm ²
Contact surface	Gold-plated
Temperature range of housing	-25...+85 °C
Rated voltage (acc. to VDE standard 0110 ISO group C)	60 V (3-pole) / 30 V (4-pole)
Approvals	cURus; EAC

Chapter W includes additional technical specifications for the cable

Dimensioned drawing

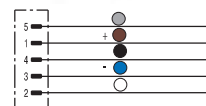
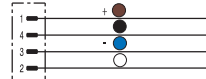
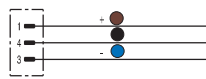
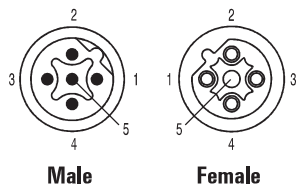


B-coded M12 cables



Connector coding is very important to avoid the potential risk of damage due to connectors being incorrectly plugged together. This risk is particularly high when you need to plug in differing voltages. For example, it is not unusual to connect 110 or 230 V with a M12 plug-in connector. However if a 24 V electric potential is connected with a 110 or 230 V line, it will inevitably lead to destructive results. B-coding has been introduced for such cases. B-coded connectors are shaped so that they can not be fitted together unless extreme force is used. This coding makes it safe to use the standard M12 connector system in a single machine for different voltages which may exceed 24 V. For the SAI Active Universal System, the power plug is A-coded since it only provides 24 V. The Profibus DP also takes advantage of this coding scheme. It is currently the only bus system using B-coded M12 plugs for IP 67-protected connections. In this case, special approved bulk stock cable is used instead of the power cables.

One end without connector
M12
B-coded



Ordering data

		3-pole		4-pole		5-pole	
Male, straight							
PUR halogen-free	1.5 m	SAIL-M12G-3B-1.5U	1057770150	SAIL-M12G-4B-1.5U	1057780150	SAIL-M12G-5B-1.5U	1057790150
Male, angled							
PUR halogen-free	1.5 m	SAIL-M12W-3B-1.5U	1057800150	SAIL-M12W-4B-1.5U	1057810150	SAIL-M12W-5B-1.5U	1057820150
Female, straight							
PUR halogen-free	1.5 m	SAIL-M12BG-3B-1.5U	1057740150	SAIL-M12BG-4B-1.5U	1057750150	SAIL-M12BG-5B-1.5U	1061880150
Female, angled							
PUR halogen-free	1.5 m	SAIL-M12BW-3B-1.5U	1061890150	SAIL-M12BW-4B-1.5U	1061900150	SAIL-M12BW-5B-1.5U	1057760150
Note							

Standard cable lengths

All cables listed in the ordering data have a length of 1.5 metres. The last four ordering digits must be changed when ordering other standard cable lengths.

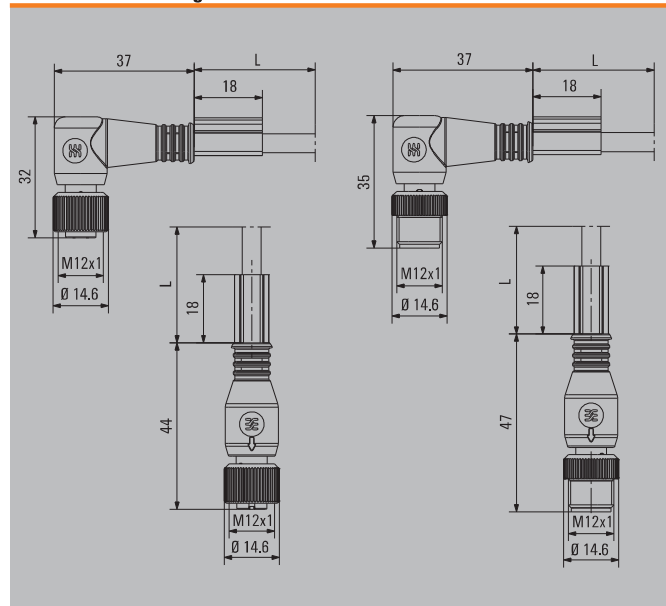
1.5 m	xxxxxx0150
3.0 m	xxxxxx0300
5.0 m	xxxxxx0500
10.0 m	xxxxxx1000

Technical data

Rated current	4 A
Protection degree	IP 65, IP 66, IP 67, IP 68, (when screwed in)
Core cross-section	0.34 mm ²
Contact surface	Gold-plated
Temperature range of housing	-25...+85 °C
Rated voltage (acc. to VDE standard 0110 ISO group C)	250 V (3- and 4-pole) / 125 V (5-pole)
Approvals	EAC

Chapter W includes additional technical specifications for the cable

Dimensioned drawing

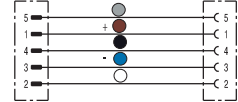
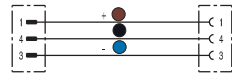
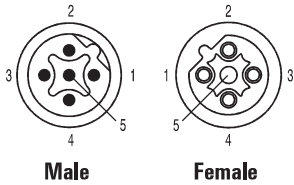


Power cables

Connecting cables

M12 to M12

B-coded



Ordering data

Male, straight - Female, straight	
PUR halogen-free	1.5 m
Male, straight - Female, angled	
PUR halogen-free	1.5 m
Male, angled - Female, angled	
PUR halogen-free	1.5 m
Male, angled - female, straight	
PUR halogen-free	1.5 m
Note	

		3-pole
		SAIL-M12GM12G-3B-1.5U 1057830150
		SAIL-M12GM12W-3B-1.5U 1057900150
		SAIL-M12WM12W-3B-1.5U 1061910150
		SAIL-M12WM12G-3B-1.5U 1057870150
	Other versions on request	

		4-pole
		SAIL-M12GM12G-4B-1.5U 1057840150
		SAIL-M12GM12W-4B-1.5U 1057910150
		SAIL-M12WM12W-4B-1.5U 1061920150
		SAIL-M12WM12G-4B-1.5U 1057880150
	Other versions on request	

		5-pole
		SAIL-M12GM12G-5B-1.5U 1057850150
		SAIL-M12GM12W-5B-1.5U 1057920150
		SAIL-M12WM12W-5B-1.5U 1061930150
		SAIL-M12WM12G-5B-1.5U 1057890150
	Other versions on request	

Standard cable lengths

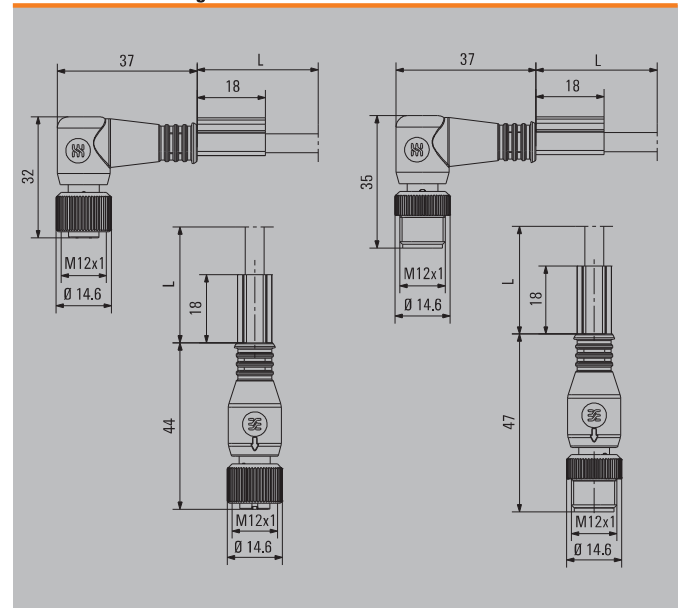
All cables listed in the ordering data have a length of 1.5 metres. The last four ordering digits must be changed when ordering other standard cable lengths.	1.5 m	xxxxxx0150
	3.0 m	xxxxxx0300
	5.0 m	xxxxxx0500
	10.0 m	xxxxxx1000

Technical data

Rated current	4 A
Protection degree	IP 65, IP 66, IP 67, IP 68, (when screwed in)
Core cross-section	0.34 mm ²
Contact surface	Gold-plated
Temperature range of housing	-25...+85 °C
Rated voltage (acc. to VDE standard 0110 ISO group C)	250 V (3- and 4-pole) / 125 V (5-pole)
Approvals	EAC

Chapter W includes additional technical specifications for the cable

Dimensioned drawing



Valve plug, ISO 4400



Machine builders frequently need different cable lengths for valve plugs. Valve plugs with free cable ends can be used to adjust the cable exactly to the lengths required.

Weidmüller can also supply valve plugs as connecting cables with M12 plugs.

The status of the valve plug is shown by an LED. Every valve plug is fitted with a protective circuit.

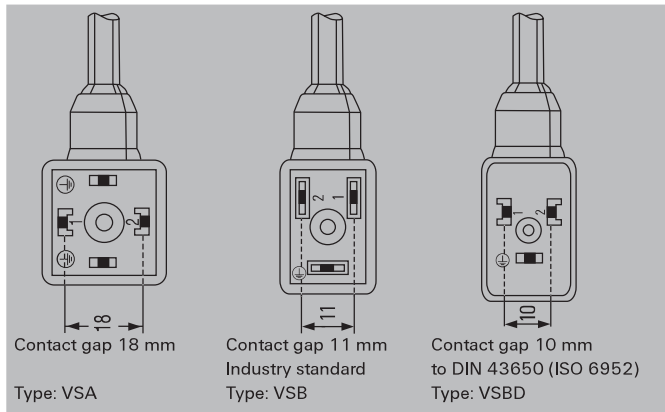
The Weidmüller range includes valve plugs of type A, B and C to DIN and industry standards.

Weidmüller plugs comply with IP 67 ingress protection class when plugged in.

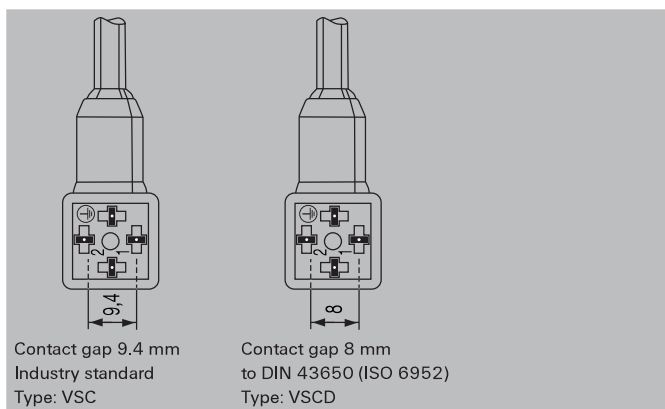
The outgoing direction is also crucial. Weidmüller can supply 0° versions, i.e. the outgoing direction of the cable is at the PE contact.

Valve plug Type A

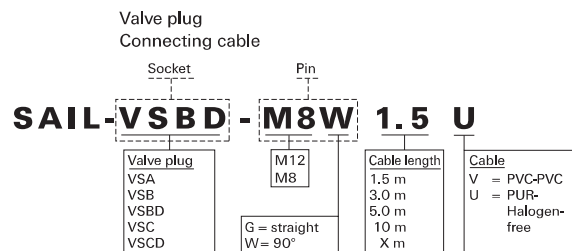
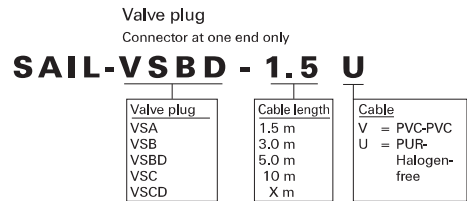
Valve plug Type B



Valve plug Type C



Example of designation



Design A

Zener diode



Ordering data

Open cable end - valve plug	1.5 m
Male straight - valve plug	1.5 m
Male angled - valve plug	1.5 m
Note	

A	
SAIL-VSA-1.5U	9457710150
SAIL-VSA-M12G-1.5U	9457040000
SAIL-VSA-M12W-1.5U	1857690150
Other versions on request	

Standard cable lengths

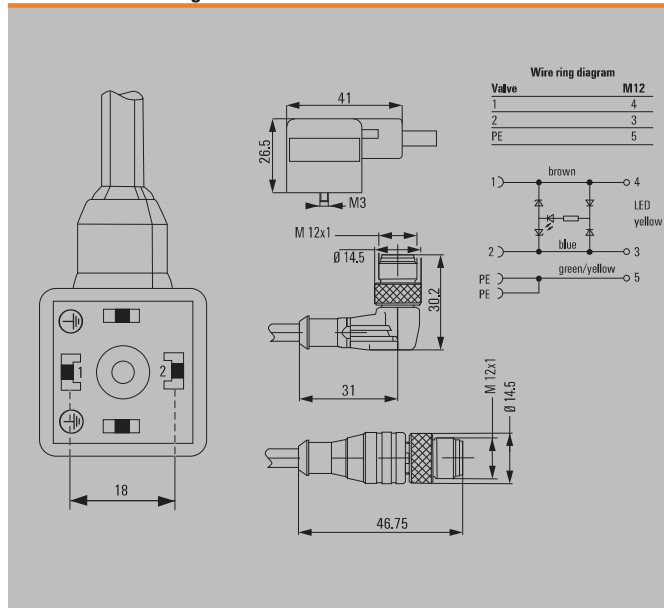
All cables listed in the ordering data have a length of 1.5 metres. The last four ordering digits must be changed when ordering other standard cable lengths.	1.5 m	xxxxxx0150
	3.0 m	xxxxxx0300
	5.0 m	xxxxxx0500
	10.0 m	xxxxxx1000

Technical data

Sheathing colour	Black
Sheath material	PUR
Rated current	4 A
Protection degree	IP 67 (when screwed in)
Core cross-section	0.5 mm ²
Contact surface	tinned
Temperature range of housing	-25...+80 °C
Rated voltage (acc. to VDE standard 0110 ISO group C)	24 V
Fixing screw	Design A = M3
Approvals	EAC

L in the drawing is the cable length

Dimensioned drawing



Valve cables

Design B/BD

B = industry standard
 BD = DIN standard
 Zener diode



Ordering data

		B		BD	
Open cable end - valve plug	1.5 m	SAIL-VSB-1.5U	9457930150	SAIL-VSBD-1.5U	9456070150
Male straight - valve plug	1.5 m	SAIL-VSB-M12G-1.5U	9457680150	SAIL-VSBD-M12G-1.5U	9457780150
Male angled - valve plug	1.5 m	SAIL-VSB-M12W-1.5U	1857700150	SAIL-VSBD-M12W-1.5U	1857710150
Note		Other versions on request		Other versions on request	

Standard cable lengths

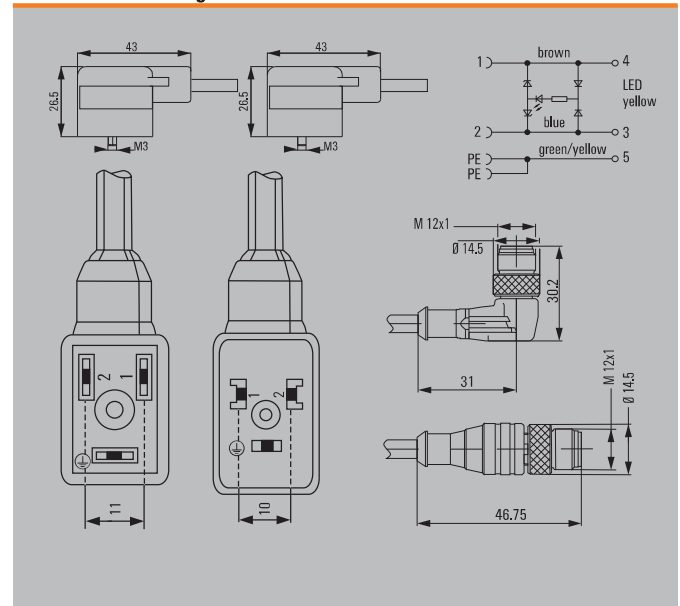
All cables listed in the ordering data have a length of 1.5 metres. The last four ordering digits must be changed when ordering other standard cable lengths.	1.5 m	xxxxxx0150
	3.0 m	xxxxxx0300
	5.0 m	xxxxxx0500
	10.0 m	xxxxxx1000

Technical data

Sheathing colour	Black
Sheath material	PUR
Rated current	4 A
Protection degree	IP 67 (when screwed in)
Core cross-section	0.5 mm ²
Contact surface	tinned
Temperature range of housing	-25...+80 °C
Rated voltage (acc. to VDE standard 0110 ISO group C)	24 V
Fixing screw	Design B/BD = M3
Approvals	EAC

L in the drawing is the cable length

Dimensioned drawing



Design C/CD

C = industry standard
 CD = DIN standard
 Zener diode



Ordering data

	C	CD
Open cable end - valve plug		
1.5 m	SAIL-VSC-1.5U 9457920150	SAIL-VSCD-1.5U 9456240150
Male straight - valve plug		
1.5 m	SAIL-VSC-M12G-1.5U 9457400150	SAIL-VSCD-M12G-1.5U 9456170150
Male angled - valve plug		
1.5 m	SAIL-VSC-M12W-1.5U 1857720150	SAIL-VSCD-M12W-1.5U 1857730150
Note	Other versions on request	Other versions on request

Standard cable lengths

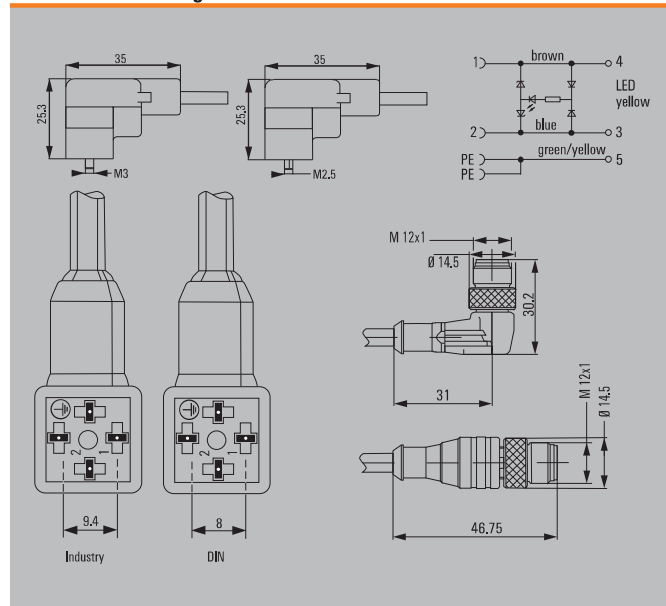
All cables listed in the ordering data have a length of 1.5 metres. The last four ordering digits must be changed when ordering other standard cable lengths.	1.5 m	xxxxxx0150
	3.0 m	xxxxxx0300
	5.0 m	xxxxxx0500
	10.0 m	xxxxxx1000

Technical data

Sheathing colour	Black
Sheath material	PUR
Rated current	4 A
Protection degree	IP 67 (when screwed in)
Core cross-section	0.5 mm ²
Contact surface	tinned
Temperature range of housing	-25...+80 °C
Rated voltage	24 V
(acc. to VDE standard 0110 ISO group C)	
Fixing screw	Design C = M3
Approvals	EAC

L in the drawing is the cable length

Dimensioned drawing



Valve cables

Design A

Suppressor diode suitable for IDC connectors and protective flexible conduit connection



B

Ordering data

Open cable end - valve plug		A		
	1.5 m	SAIL-VSA-1.5U(0.5)	1845120150	
Note		Supplied without protective hose		

Standard cable lengths

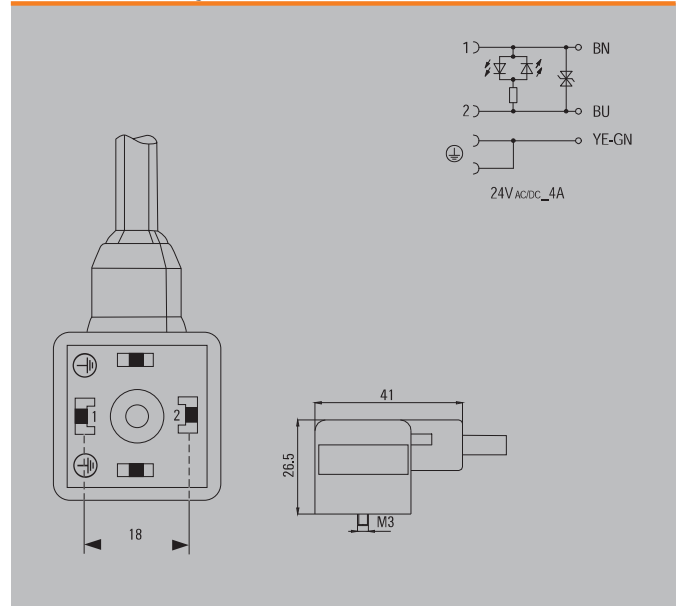
All cables listed in the ordering data have a length of 1.5 metres. The last four ordering digits must be changed when ordering other standard cable lengths.	1.5 m	xxxxxx0150
	3.0 m	xxxxxx0300
	5.0 m	xxxxxx0500
	10.0 m	xxxxxx1000

Technical data

Sheathing colour	Black
Sheath material	PUR
Rated current	4 A
Protection degree	IP 67 (when screwed in)
Core cross-section	0.5 mm ²
Contact surface	tinned
Temperature range of housing	-25...+80 °C
Rated voltage (acc. to VDE standard 0110 ISO group C)	24 V
Fixing screw	
Approvals	EAC

L in the drawing is the cable length

Dimensioned drawing



Design B/BD

B = industry standard
 BD = DIN standard

Suppressor diode suitable for IDC connectors and protective flexible conduit connection



Ordering data

		B	BD	
Open cable end - valve plug	1.5 m	SAIL-VSB-180-1.5U(0.5)	SAIL-VSBD-180-1.5U(0.5)	
Note		1845140150 Supplied without protective hose	1845160150 Supplied without protective hose	

Standard cable lengths

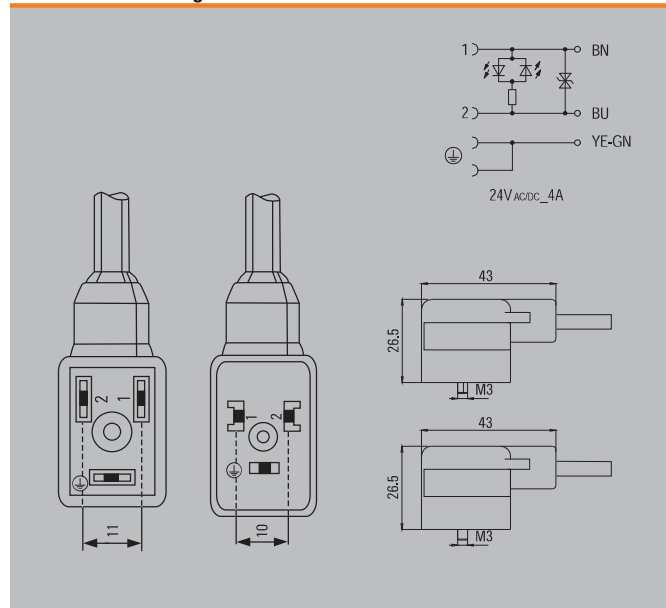
All cables listed in the ordering data have a length of 1.5 metres. The last four ordering digits must be changed when ordering other standard cable lengths.	1.5 m	xxxxxx0150
	3.0 m	xxxxxx0300
	5.0 m	xxxxxx0500
	10.0 m	xxxxxx1000

Technical data

Sheathing colour	Black
Sheath material	PUR
Rated current	4 A
Protection degree	IP 67 (when screwed in)
Core cross-section	0.5 mm ²
Contact surface	tinned
Temperature range of housing	-25...+80 °C
Rated voltage (acc. to VDE standard 0110 ISO group C)	24 V
Fixing screw	
Approvals	EAC

L in the drawing is the cable length

Dimensioned drawing



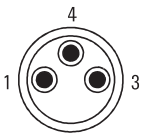
Valve cables

Design A

Suppressor diode



B



Male

Ordering data

		A	
Male straight - valve plug	1.5 m	SAIL-VSA-M8G-3-1.5U	1099760150
Note			

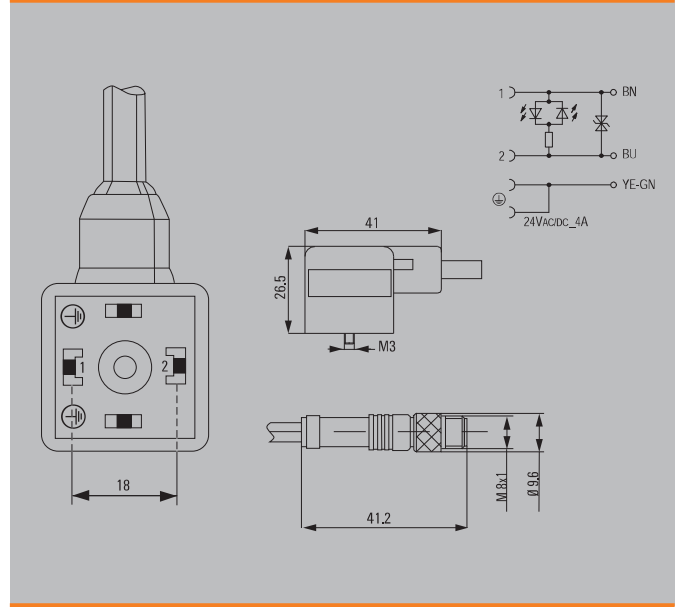
Standard cable lengths

All cables listed in the ordering data have a length of 1.5 metres. The last four ordering digits must be changed when ordering other standard cable lengths.	1.5 m	xxxxxx0150
	3.0 m	xxxxxx0300
	5.0 m	xxxxxx0500
	10.0 m	xxxxxx1000

Technical data

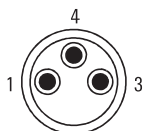
Sheathing colour	Black
Sheath material	PUR
Rated current	4 A
Protection degree	IP 67 (when screwed in)
Core cross-section	0.5 mm ²
Contact surface	tinned
Temperature range of housing	-25...+80 °C
Rated voltage (acc. to VDE standard 0110 ISO group C)	24 V
Approvals	EAC

Dimensioned drawing



Design B/BD

B = industry standard
 BD = DIN standard
 Suppressor diode



Male

Ordering data

		B		BD	
Male straight - valve plug	1.5 m	SAIL-VSBD-M8G-3-1.5U	1099770150	SAIL-VSB-M8G-3-0.15U	1271590015
Male straight - valve plug 180°	1.5 m	SAIL-VSBD180-M8G-3-1.5U	1276450150		
Note					

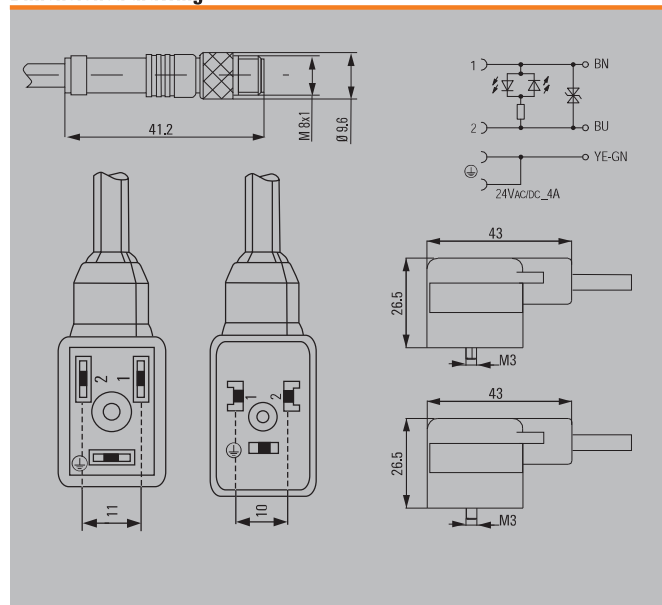
Standard cable lengths

All cables listed in the ordering data have a length of 1.5 metres. The last four ordering digits must be changed when ordering other standard cable lengths.	1.5 m	xxxxxx0150
	3.0 m	xxxxxx0300
	5.0 m	xxxxxx0500
	10.0 m	xxxxxx1000

Technical data

Sheathing colour	Black
Sheath material	PUR
Rated current	4 A
Protection degree	IP 67 (when screwed in)
Core cross-section	0.5 mm ²
Contact surface	tinned
Temperature range of housing	-25...+80 °C
Rated voltage	24 V
(acc. to VDE standard 0110 ISO group C)	
Approvals	

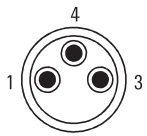
Dimensioned drawing



Valve cables

Design C/CD

C = industry standard
 CD = DIN standard
 Suppressor diode



Male

Ordering data

		C		CD	
Male straight - valve plug	1.5 m	SAIL-VSC-M8G-0.15U	1309680015	SAIL-VSCD-M8G-3-1.5U	1916700150
Note					

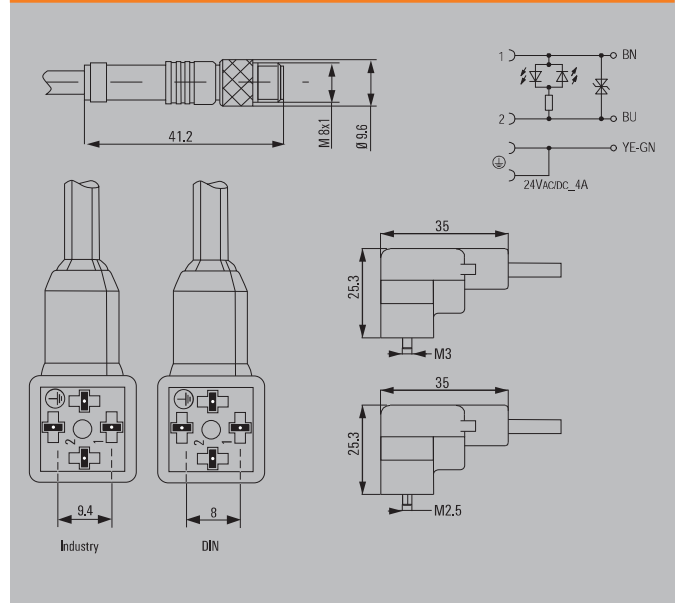
Standard cable lengths

All cables listed in the ordering data have a length of 1.5 metres. The last four ordering digits must be changed when ordering other standard cable lengths.	1.5 m	xxxxxx0150
	3.0 m	xxxxxx0300
	5.0 m	xxxxxx0500
	10.0 m	xxxxxx1000

Technical data

Sheathing colour	Black
Sheath material	PUR
Rated current	4 A
Protection degree	IP 67 (when screwed in)
Core cross-section	0.5 mm ²
Contact surface	tinned
Temperature range of housing	-25...+80 °C
Rated voltage (acc. to VDE standard 0110 ISO group C)	24 V
Approvals	EAC

Dimensioned drawing



Cables 3, 4, 5 poles



Weidmüller can provide the following types of cables for connecting sensors and actuators:

- The outer sheathing of the cables is made from polyurethane and the inner stranded wires have TPM insulation.
- They are available with 3, 4 and 5 poles.
- In addition, the cables are also available with PVC outer sheathing and PVC insulation internally.

Ordering data

PUR halogen-free	Qty.	Order No.
SAIH-SLL-3x0,25mm ² (PUR)	100 m	1902140000
SAIH-SLL-4x0,25mm ² (PUR)	100 m	1902120000
SAIH-SLL-3x0,34mm ² (PUR)	100 m	1902110000
SAIH-SLL-4x0,34mm ² (PUR)	100 m	1902130000
SAIH-5x0,34 (PUR)	100 m	1022960000
PVC		
SAIH-SLL-3x0,25mm ² (PVC)	100 m	1902190000
SAIH-SLL-4x0,25mm ² (PVC)	100 m	1902170000
SAIH-SLL-3x0,34mm ² (PVC)	100 m	1902160000
SAIH-SLL-4x0,34mm ² (PVC)	100 m	1902180000
SAIH-5x0,34 (PVC)	100 m	1412620000
Note		

Ordering data

PUR halogen-free yellow	Qty.	Order No.
SAIH-SLL-3x0,34mm ² (UGE)	100 m	1345520000
SAIH-SLL-4x0,34mm ² (UGE)	100 m	1345530000
SAIH-SLL-5x0,34mm ² (UGE)	100 m	1345540000
PUR halogen-free shielded		
SAIH-SLL-3x0,34mm ² (SI PUR)	100 m	1357320000
SAIH-SLL-4x0,34mm ² (SI PUR)	100 m	1357330000
SAIH-SLL-5x0,34mm ² (SI PUR)	100 m	1357340000
Note		

Technical data

Colour		black, yellow
Cross-section	mm ²	0.25 ... 0.34
Qty.		100 Metre
Note		

Bus cables



Owing to their easy assembly and adaptability, Weidmüller distributors have become very popular among machine manufacturers. For such applications, Weidmüller can supply corresponding bus cables for custom assembly.

The bus cables are available in four different versions. All bus cables are suitable for moving cable carriers and are available by the metre. All four trunk cables can be ordered in individual lengths. A typical order quantity is a 500 metre drum. The colour coding of wires conforms to the standard in mechanical engineering.

The connection hoods of the M12 SAI distributors are always fitted with the same terminals so that only one type of cable is required.

Advantages of bus cables supplied by the metre:

- Special lengths for bus cables
- No cable waste
- No storage space required for different cable lengths
- Bulk stock will be cut to desired length.

Ordering data

Type	Qty.	Order No.
SAIH-SLL 3 x 0.75 - 8 x 0.34	1 m	9457420000
SAIH-SLL 3 x 0.75 - 16 x 0.34	1 m	9457560000
SAIH-SLL 5 x 0.75 - 16 x 0.34	1 m	9457970000
SAIH-SLL 3 x 1.0 - 16 x 0.5	1 m	1344720000

X-ON Electronics

Largest Supplier of Electrical and Electronic Components

Click to view similar products for [Sensor Cables / Actuator Cables](#) category:

Click to view products by [Weidmuller](#) manufacturer:

Other Similar products are found below :

[1300070444](#) [43-10984](#) [M83513/19-F01CP](#) [704000D02F120](#) [MDM15SH001K](#) [MDM25PH003BF222](#) [802027107404-1](#) [885030A09M010](#)
[885030A09M020](#) [1200650174](#) [1200651332](#) [1200651713](#) [1200660171](#) [1200660208](#) [1200660343](#) [1200660804](#) [1200660845](#) [1200660926](#)
[1200660977](#) [1200661173](#) [1200661354](#) [120066-1712](#) [1200720053](#) [1200720099](#) [1200720153](#) [1200720172](#) [1200720217](#) [1200720226](#)
[1200720251](#) [1200720285](#) [1200720296](#) [1200720404](#) [1200730148](#) [1200730378](#) [1200800231](#) [1200860112](#) [1200860121](#) [1200860125](#)
[1200860337](#) [1200860365](#) [1200860420](#) [1200870046](#) [1200870123](#) [1200870248](#) [1200980102](#) [1200660181](#) [1200660183](#) [1200660827](#)
[1200660849](#) [1200661170](#)