

Size 100M–STA® Pull Tubular Solenoids — 26 mm Dia. x 52 mm

LINEAR Tubular

Part Number: 195226 - X XX

All products are RoHS Compliant

Coil AWG Number
(from performance chart below)

Plunger Configurations and anti-rotation flat on mounting
 1 Flat face plunger without anti-rotation flat
 2 60° plunger without anti-rotation flat
 5 Flat face plunger with anti-rotation flat
 6 60° plunger with anti-rotation flat

Performance

| | | | | |
|---|------|------|------|------|
| Maximum Duty Cycle | 100% | 50% | 25% | 10% |
| Maximum ON Time (sec) when pulsed continuously ¹ | ∞ | 360 | 32 | 8 |
| Maximum ON Time (sec) for single pulse ² | ∞ | 470 | 120 | 32 |
| Watts (@ 20°C) | 10 | 20 | 40 | 100 |
| Ampere Turns (@ 20°C) | 1166 | 1649 | 2332 | 3688 |

Coil Data

| awg (0XX) ³ | Resistance (@20°C) | # Turns ⁴ | VDC (Nom) | VDC (Nom) | VDC (Nom) | VDC (Nom) |
|------------------------|--------------------|----------------------|-----------|-----------|-----------|-----------|
| 23 | 1.96 | 536 | 4.4 | 6.3 | 8.9 | 14.0 |
| 24 | 2.69 | 600 | 5.2 | 7.3 | 10.4 | 16.4 |
| 25 | 4.89 | 840 | 7.0 | 9.9 | 14.0 | 22.0 |
| 26 | 8.70 | 1117 | 9.4 | 13.3 | 18.8 | 29.7 |
| 27 | 11.50 | 1260 | 10.7 | 15.2 | 21.0 | 34.0 |
| 28 | 19.20 | 1645 | 13.8 | 19.6 | 28.0 | 44.0 |
| 29 | 31.20 | 2104 | 17.7 | 25.0 | 35.0 | 56.0 |
| 30 | 49.60 | 2646 | 22.0 | 31.0 | 45.0 | 70.0 |
| 31 | 77.40 | 3280 | 28.0 | 39.0 | 56.0 | 88.0 |
| 32 | 119.00 | 4026 | 35.0 | 49.0 | 69.0 | 109.0 |
| 33 | 202.00 | 5317 | 45.0 | 64.0 | 90.0 | 142.0 |

- ¹ Continuously pulsed at stated watts and duty cycle
- ² Single pulse at stated watts (with coil at ambient room temperature 20°C)
- ³ Other coil awg sizes available — please consult factory
- ⁴ Reference number of turns

Specifications

| | |
|-------------------------------|--|
| Dielectric Strength | 1000 VRMS |
| Recommended Minimum Heat Sink | Maximum watts dissipated by solenoid are based on an unrestricted flow of air at 20°C, with solenoid mounted on the equivalent of an aluminium plate measuring 102 mm square by 3.2 mm thick |
| Coil Resistance | ±5% tolerance |
| Holding Force | Flat Face: 61.5 N @ 20°C 60°: 29.4 N @ 20°C |
| Weight | 197.3 g |
| Plunger Weight | 45.4 g |

How to Order

Add the plunger configuration number and the coil awg number to the part number (for example: to order a unit with a 60° plunger rated for 21 VDC at 25% duty cycle, specify 195226-227).

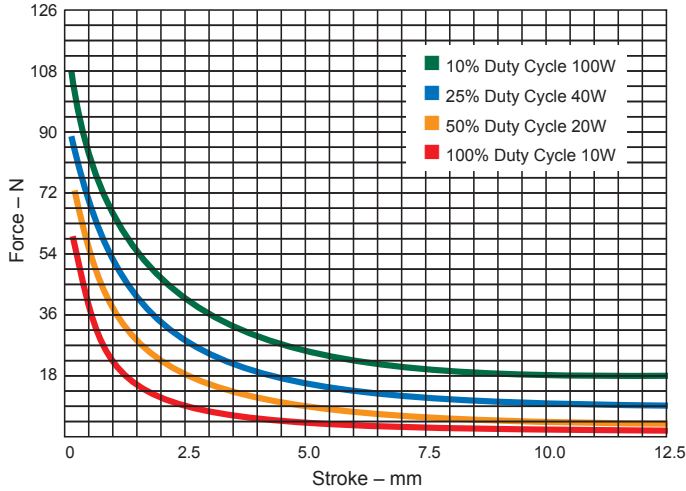
Please see www.johnsonelectric.com for our list of stock products available through distribution.

All specifications subject to change without notice.

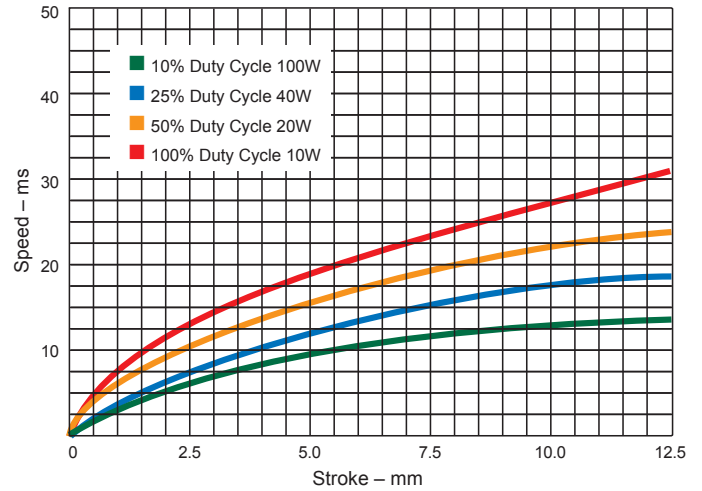
Size 100M-STA® Pull Tubular Solenoids — 26 mm Dia. x 52 mm

Flat Face Plunger

Typical Force @ 20°C

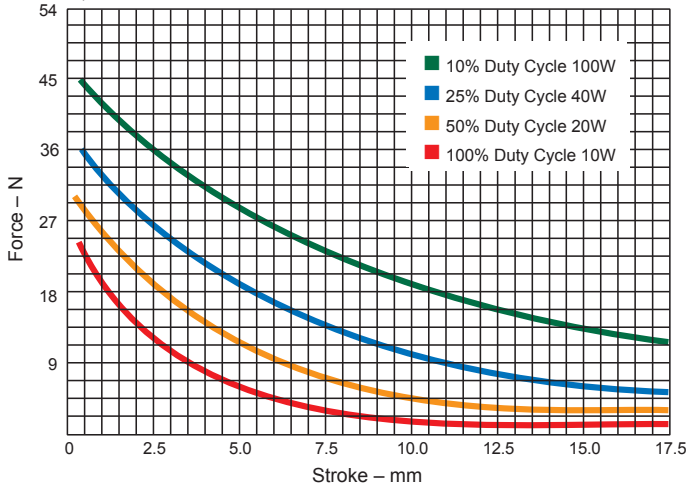


Typical Speed @ No Load, 20°C

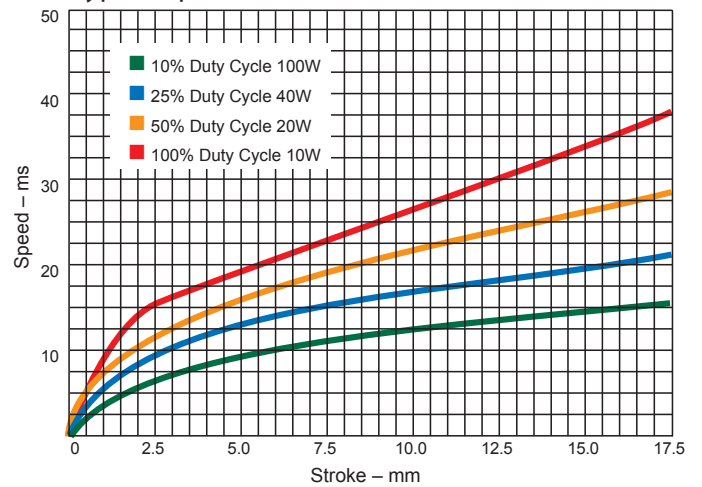


60° Plunger

Typical Force @ 20°C

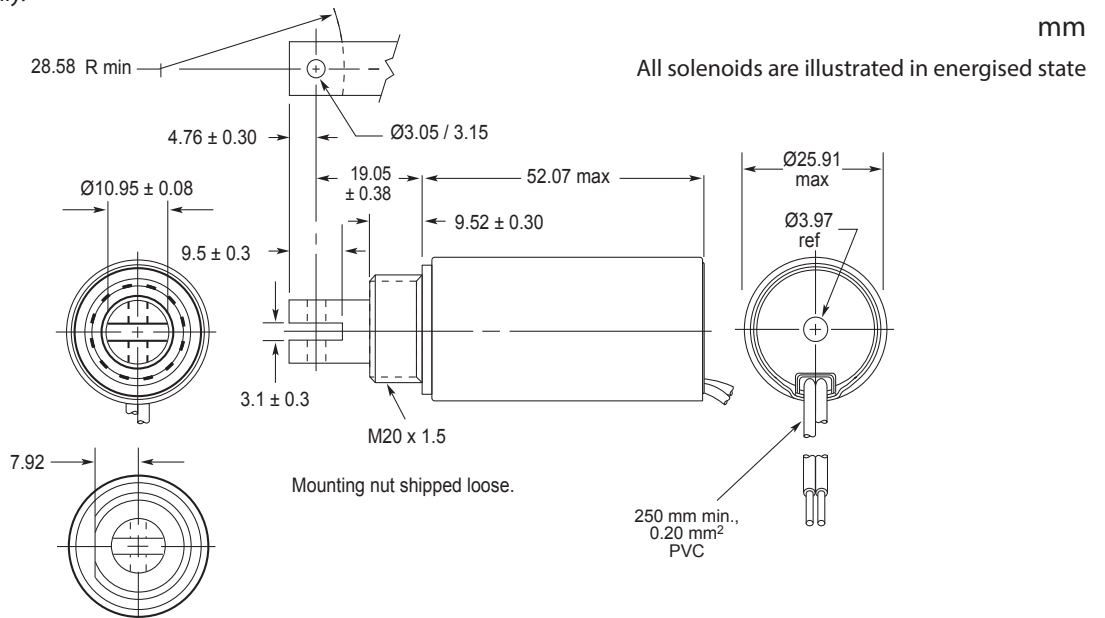


Typical Speed @ No Load, 20°C



Force values for reference only.

Dimensions



Size 100M–STA® Push Tubular Solenoids — 26 mm Dia. x 52 mm

LINEAR Tubular

Part Number: 195227 - X XX

All products are RoHS Compliant

Coil AWG Number
(from performance chart below)

Plunger Configurations and anti-rotation flat on mounting
 1 Flat face plunger without anti-rotation flat
 2 60° plunger without anti-rotation flat
 5 Flat face plunger with anti-rotation flat
 6 60° plunger with anti-rotation flat

Performance

| Maximum Duty Cycle | 100% | 50% | 25% | 10% |
|---|------|------|------|------|
| Maximum ON Time (sec) when pulsed continuously ¹ | ∞ | 360 | 32 | 8 |
| Maximum ON Time (sec) for single pulse ² | ∞ | 470 | 120 | 32 |
| Watts (@ 20°C) | 10 | 20 | 40 | 100 |
| Ampere Turns (@ 20°C) | 1166 | 1649 | 2332 | 3688 |

Coil Data

| awg (0XX) ³ | Resistance (@20°C) | # Turns ⁴ | VDC (Nom) | VDC (Nom) | VDC (Nom) | VDC (Nom) |
|------------------------|--------------------|----------------------|-----------|-----------|-----------|-----------|
| 23 | 1.96 | 536 | 4.4 | 6.3 | 8.9 | 14.0 |
| 24 | 2.69 | 600 | 5.2 | 7.3 | 10.4 | 16.4 |
| 25 | 4.89 | 840 | 7.0 | 9.9 | 14.0 | 22.0 |
| 26 | 8.70 | 1117 | 9.4 | 13.3 | 18.8 | 29.7 |
| 27 | 11.50 | 1260 | 10.7 | 15.2 | 21.0 | 34.0 |
| 28 | 19.20 | 1645 | 13.8 | 19.6 | 28.0 | 44.0 |
| 29 | 31.20 | 2104 | 17.7 | 25.0 | 35.0 | 56.0 |
| 30 | 49.60 | 2646 | 22.0 | 31.0 | 45.0 | 70.0 |
| 31 | 77.40 | 3280 | 28.0 | 39.0 | 56.0 | 88.0 |
| 32 | 119.00 | 4026 | 35.0 | 49.0 | 69.0 | 109.0 |
| 33 | 202.00 | 5317 | 45.0 | 64.0 | 90.0 | 142.0 |

- ¹ Continuously pulsed at stated watts and duty cycle
- ² Single pulse at stated watts (with coil at ambient room temperature 20°C)
- ³ Other coil awg sizes available — please consult factory
- ⁴ Reference number of turns

Specifications

| | |
|-------------------------------|--|
| Dielectric Strength | 1000 VRMS |
| Recommended Minimum Heat Sink | Maximum watts dissipated by solenoid are based on an unrestricted flow of air at 20°C, with solenoid mounted on the equivalent of an aluminium plate measuring 102 mm square by 3.2 mm thick |
| Coil Resistance | ±5% tolerance |
| Holding Force | Flat Face: 52.6 N @ 20°C 60°: 28.9 N @ 20°C |
| Weight | 190.8 g |
| Plunger Weight | 33.7 g |

How to Order

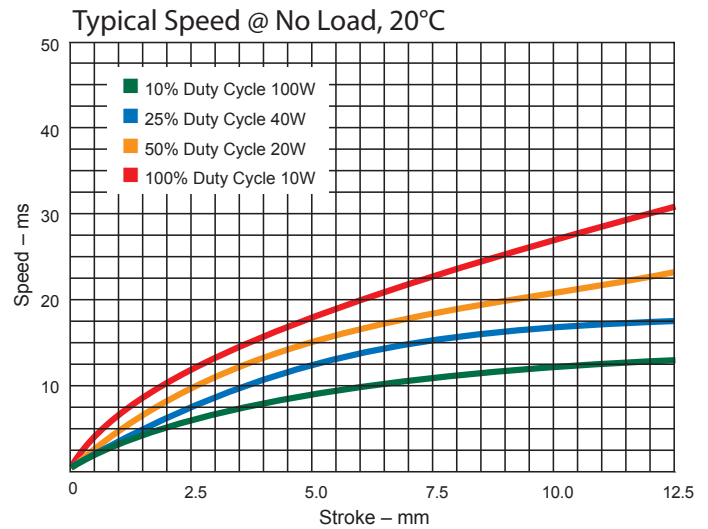
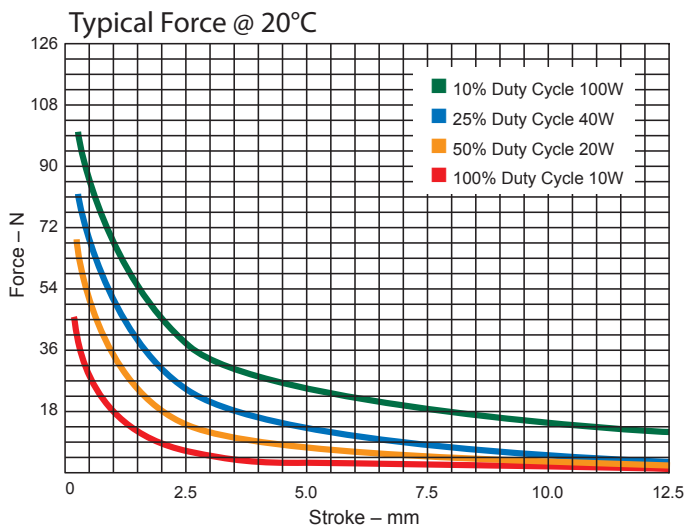
Add the plunger configuration number and the coil awg number to the part number (for example: to order a unit with a 60° plunger rated for 21 VDC at 25% duty cycle, specify 195227-227).

Please see www.johnsonelectric.com for our list of stock products available through distribution.

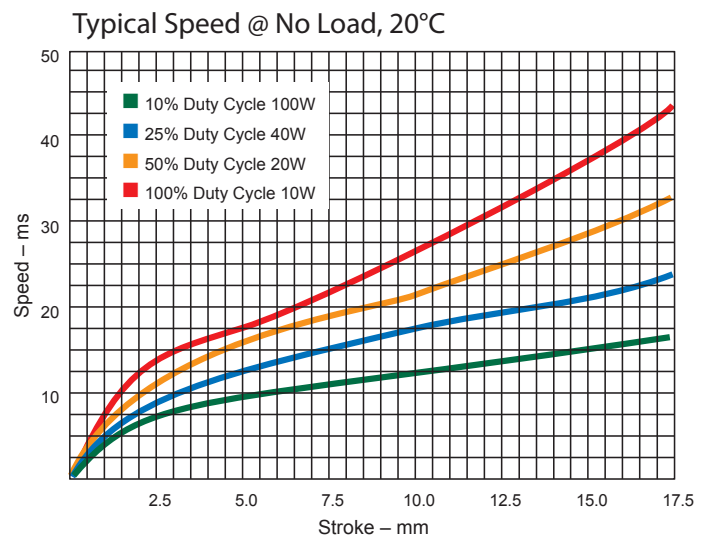
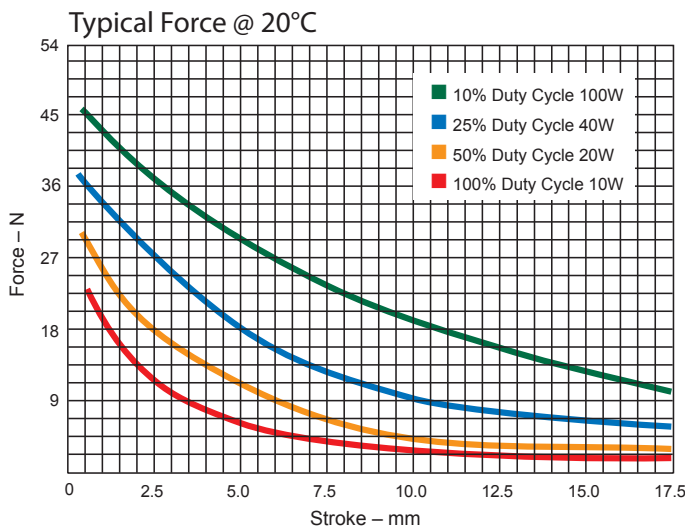
All specifications subject to change without notice.

Size 100M–STA® Push Tubular Solenoids — 26 mm Dia. x 52 mm

Flat Face Plunger

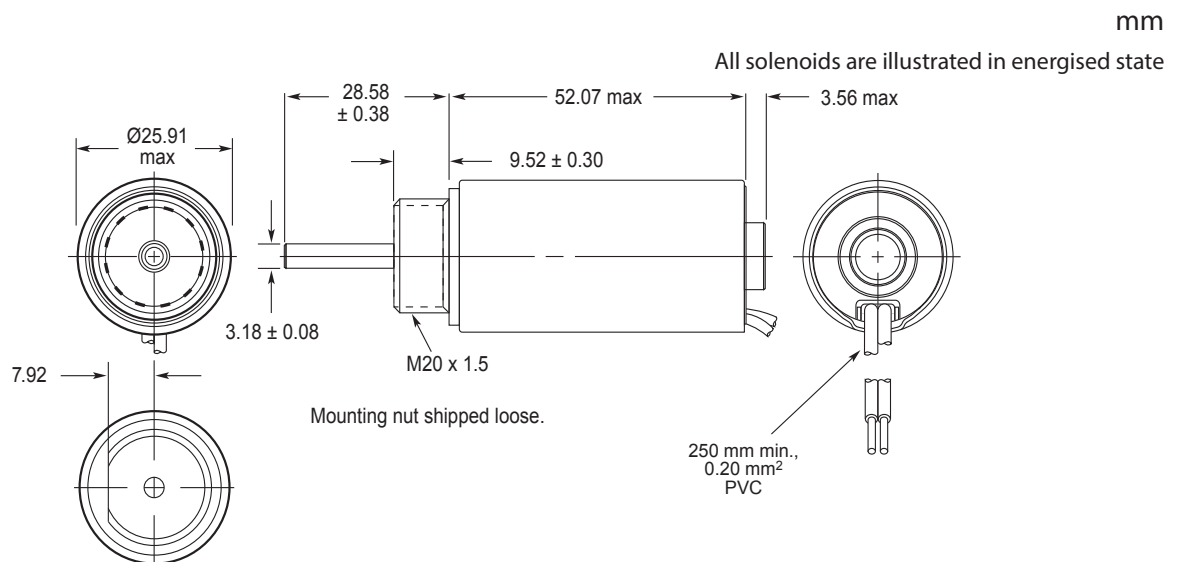


60° Plunger



Force values for reference only.

Dimensions



X-ON Electronics

Largest Supplier of Electrical and Electronic Components

Click to view similar products for [Solenoids & Actuators](#) category:

Click to view products by [Saia-Burgess](#) manufacturer:

Other Similar products are found below :

[2-1617079-7](#) [1-1617080-3](#) [3-1617800-6](#) [5-1617794-0](#) [195225-229](#) [A-76](#) [A-62](#) [A-1358](#) [195226-225](#) [24624-10](#) [B14HD-L-254-B-4](#) [B14HDP-253-B-4](#) [B22M-253-M-36](#) [C5-267-B-1](#) [81519348](#) [195224-229](#) [195224-231](#) [195223-233](#) [282342-028](#) [195223-234](#) [13050-CSA](#) [1335-CSA](#) [1350-CSA](#) [1369-CSA](#) [1370-15-D](#) [1380-15-D](#) [195222-234](#) [195222-237](#) [195223-234](#) [195223-237](#) [195224-230](#) [195224-233](#) [195225-230](#) [195225-233](#) [195226-231](#) [195227-228](#) [195227-231](#) [24124](#) [282367-027](#) [B14HD-253-B-4](#) [1380-30-D](#) [1370-30-D](#) [13ST15](#) [13ST25](#) [195206-225](#) [13050-BSP](#) [3992](#) [B11HD-254-B-3](#) [B12-253-B-3](#) [B14HD-254-B-4](#)