

Ledex® Box Frame Size B11HD

Part Number: B11HD - **XXX** - B-3

All products are RoHS Compliant

LINEAR Open Frame

Select from performance chart below

Specifications

Operation	Pull
Dielectric Strength	1500 VRMS for one second
Continuous Duty Cycle	100% at 20°C ambient temperature
Intermittent Duty Cycle	See below
Holding Force	7.75 lbs (34.5 N) at 20°C
Coil Insulation	Class "B": 130°C max.
Coil Termination	10" (254 mm) PVC lead wires
Plunger Weight	1.4 oz. (38 g)
Total Weight	6.8 oz. (192.8 g)

Performance

Maximum Duty Cycle	100%	50%	25%	10%
Maximum ON Time (sec) when pulsed continuously	∞	382	71	21
Maximum ON Time (sec) for single pulse	∞	528	164	48
Watts (@ 20°C)	9	18	36	90
Ampere Turns (@ 20°C)	1119	1582	2238	3539

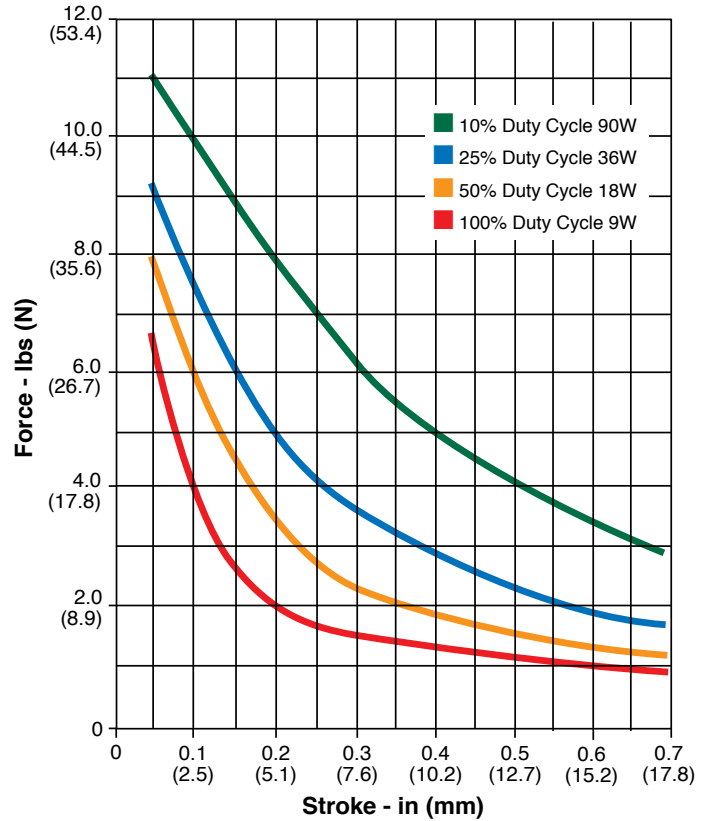
Coil Data

Part Number	Resistance (@20°C)	Ref # Turns	VDC (Nom)	VDC (Nom)	VDC (Nom)	VDC (Nom)
B11HD-255-B-3	4.2	780	6.1	8.7	12.3	19
B11HD-254-B-3	16.7	1533	12.3	17	25	39
B11HD-253-B-3	67	3050	25	35	49	78
B11HD-252-B-3	286	6360	51	72	102	160
B11HD-251-B-3	1710	14973	124	176	248	382

NOTES:

- All data is typical.
- Force testing is done with the solenoid in the horizontal position.
- All data reflects operation with no heat sink.
- Pull versions standard; push versions available.

Typical Force @ 20°C



How to Order

Select the part number from the table provided. (For example, to order a 25% duty cycle unit rated at 49 VDC, specify B11HD-253-B-3.

Please see www.ledex.com for our list of stock products available through our North American distributors.

All specifications subject to change without notice.

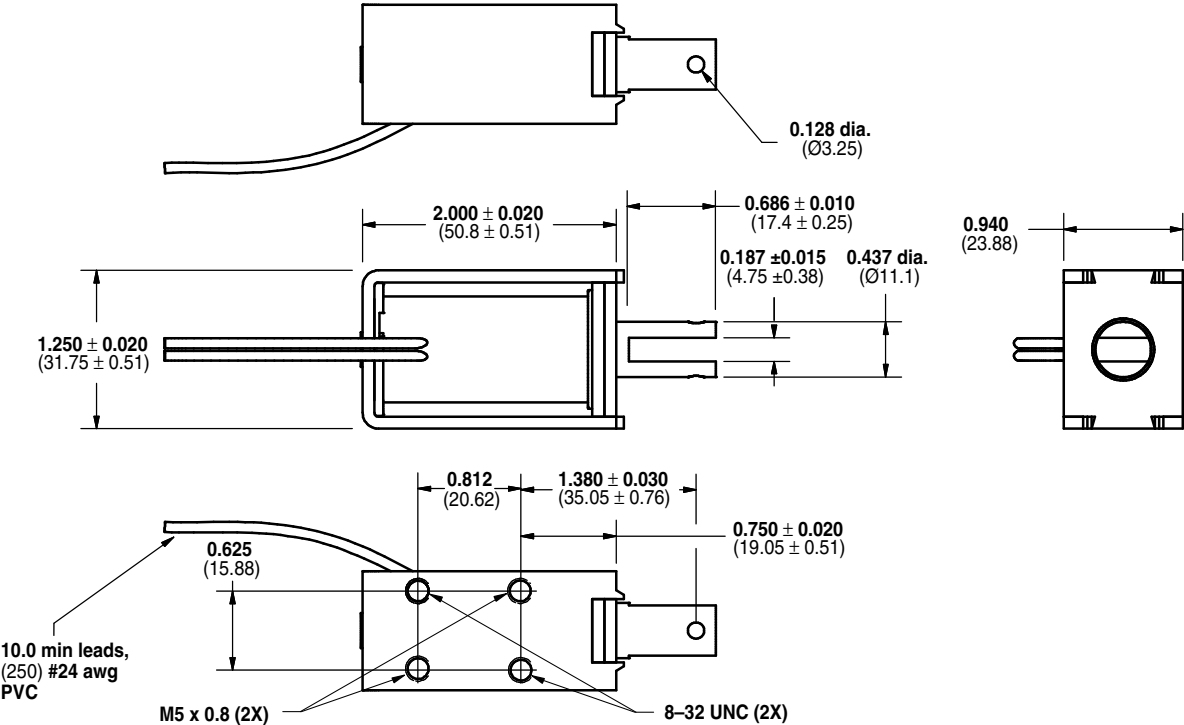
Force values for reference only.

Ledex® Box Frame Size B11HD

Dimensions

Inches (mm)

All solenoids are illustrated in energized state



X-ON Electronics

Largest Supplier of Electrical and Electronic Components

Click to view similar products for [Solenoids & Actuators](#) category:

Click to view products by [Saia-Burgess](#) manufacturer:

Other Similar products are found below :

[7014-S](#) [11-C-6D](#) [11-I-24A](#) [11-I-6D](#) [A-1223](#) [A-1410-1](#) [11P-C-6D](#) [A-376-T](#) [H-15234-029-20](#) [A420-065512-00](#) [A420-065513-00](#) [A420-065570-00](#) [A420-065571-00](#) [A420-065710-00](#) [A420-066011-00](#) [A420-066014-00](#) [A420-066083-00](#) [A420-066084-00](#) [A420-066947-00](#) [A420-067877-00](#) [A420-067899-00](#) [A420-068516-00](#) [A421-062507-11](#) [A421-062507-12](#) [A490-367460-13](#) [A490-367460-14](#) [A490-367460-15](#) [A490-367460-17](#) [A490-367461-00](#) [A490-367461-02](#) [A490-367462-03](#) [A490-367462-04](#) [A490-367462-05](#) [A490-367462-07](#) [A-728](#) [1251-A-1](#) [D4HD-24VDC-PULL-CONT](#) [12-C-120A](#) [12-I-120A](#) [129409-031](#) [143-B1A2](#) [1500-M-1](#) [1501-M-1](#) [152099-230](#) [EE520-74410](#) [B20-501-A-1](#) [B20-753-A-1](#) [B24-253-A-1](#) [B24-501-A-1](#) [B24-753-A-1](#)