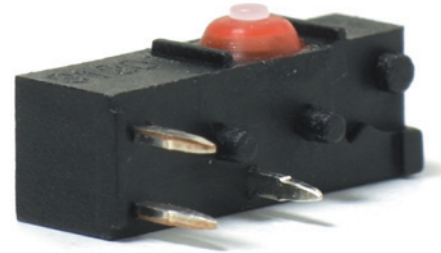


F1NS

F1NS

Characteristics	<ul style="list-style-type: none"> ■ small size ■ low current ■ long mechanical life ■ PCB mounting ■ sealed IP54 (option)
Rating	Up to 250 VAC, 1 A
Dimensions (mm)	14.6 × 6.5 × 6
Actuator	<ul style="list-style-type: none"> ■ plunger ■ plain lever ■ simulated roller lever/cam follower
Approvals	none



● Ultraminiature

Preferred Range

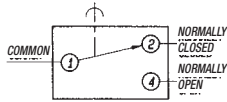
Ordering Reference	Actuating Force (N) (ozf)		Sealing	Operating pos. (mm)	Terminal	Circuit	Actuator	Contacts	Electrical rating
F1NST8	2,0	7,2	IP5K4	5,9	PCB	CO	Plunger	Ag	250 VAC, 1 A
F1NST8A1	0,6	2,2	IP5K4	7,6	PCB	CO	Plain lever	Ag	250 VAC, 1 A
F1NST8AC	0,6	2,2	IP5K4	10,1	PCB	CO	Cam follower	Ag	250 VAC, 1 A

F1NS

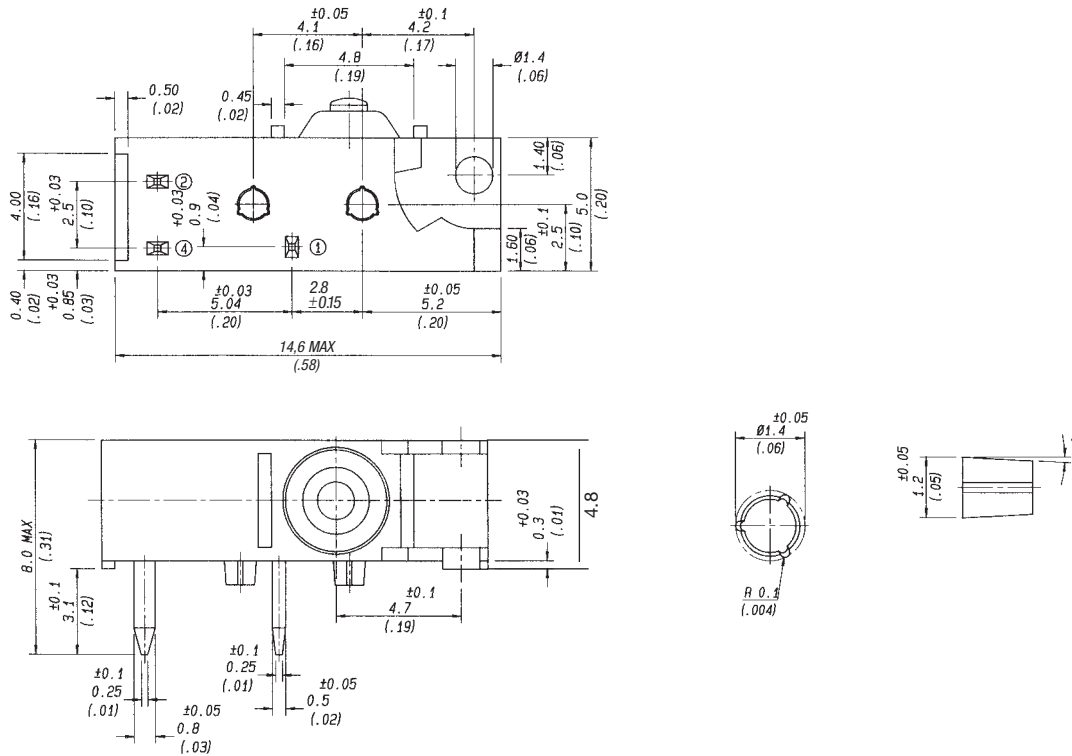
Specifications

Housing	Base: PA 6.6; Cowl: Silicon; Lid: PA 6.6
Plunger	POM
Mechanism	Snap-action, coil spring mechanism with stainless steel spring. Single-pole change-over contact
Contacts	Fine silver, Gold plate on silver
Terminals	PCB - Phosphor Bronze silver plated
Temperature range °C	-40°C bis +85°C
Mechanical life	10 ⁷ cycles minimum (impact-free actuation)
Protection	Enclosure IP40 (F1N), IP54 (F1NS)
Mounting	PCB. Locating pins on housing

Circuit diagram



Dimensions



Recommended maximum electrical ratings

Voltage (VAC)	Resistive load (A)	Inductive load (A)	Voltage (VDC)	Resistive load (A)	Inductive load (A)
125	1	1	up to		
250	1	1	30	2	2
			50	0,5	0,5
			75	0,25	0,25
			125	0,2	0,03

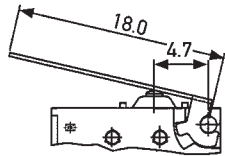
F1NS

Operating Characteristics

Actuator	Reference	Actuating Force Maximum		Release Force Minimum		Free Position		Operating Position Maximum		Movement Differential Maximum		Total travelled position Maximum	
		(N)	(ozf)	(N)	(ozf)	(mm)	(in)	(mm)	(in)	(mm)	(in)	(mm)	(in)
Plunger	F1NST8	2	7,20	0,2	0,72	6,5	0,26	5,9 ± 0,2	0,23 ± 0,008	0,2	0,008*		

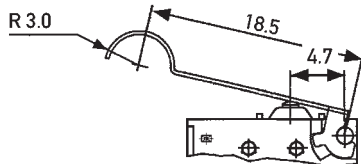


A1-Lever	F1NST8A1	0,6	2,20	0,09	0,32	10,5	0,41	7,6 ± 1,2	0,3 ± 0,05	0,7	0,03 *		
----------	----------	-----	------	------	------	------	------	-----------	------------	-----	--------	--	--



Width of lever 3 mm/0,12 in

AC-Lever	F1NST8AC	0,6	2,20	0,09	0,32	13,3	0,52	10,1 ± 1,2	0,4 ± 0,05	0,7	0,03 *		
----------	----------	-----	------	------	------	------	------	------------	------------	-----	--------	--	--



Width of lever 3 mm/0,12 in

Datum for Free Position and Operating Position: base of switch opposite plunger.

* Flush with case. The case should not be used as an end stop.

Ordering Reference

Basic type	F1N	Example: F1N	S	T8	A	AU
Type of sealing	S	No symbol, unsealed Sealed IP5K4				
Terminals	T8	PCB 0.8 × 0.5 × 3.45 long				
Circuit		No symbol, change-over				
Actuators	A A1 AC	No symbol, without lever Special lever A type (see specification) Plain lever 18.0 mm Cam follower lever 18.5 mm				
Contact Material	AU GP	No symbol, Ag Gold on nickel Gold plate on Ag (GP)				
Special Features	/□□□□	Burgess specialise in customer specific solutions. Additional product variants are available or can be provided. If your requirements cannot be satisfied from the options listed, please contact us.				

X-ON Electronics

Largest Supplier of Electrical and Electronic Components

Click to view similar products for [Basic / Snap Action Switches](#) category:

Click to view products by [Saia-Burgess](#) manufacturer:

Other Similar products are found below :

[5SM901-S12](#) [5SM9-S12N195](#) [602EN532](#) [602EN535-RB](#) [602HE5-RB1](#) [604HE162](#) [604HE223-6B](#) [624HE17-RB](#) [6HM82](#) [6HM89](#) [6SE1](#)
[6SX1-H58](#) [70500216](#) [70599106](#) [71051](#) [MBH2731](#) [79211923](#) [79218589](#) [MIL30126AB6BBMD4A12XAU](#) [ML-1155](#) [ML-1376](#) [831010C3.0](#)
[831090C2.EL](#) [83131904](#) [84212012](#) [8AS239](#) [8HM73-3](#) [8SX26-H33](#) [914CE1-6G](#) [PL-100](#) [11SM1077-H4](#) [11SM1077-H58](#) [11SM1-TN107](#)
[11SM405](#) [11SM8423-H2](#) [11SX37-T](#) [11SX48-H58](#) [11SM2442-T](#) [11SM76-T](#) [11SM77-H58](#) [11SM77-T](#) [11SM863-T](#) [11SM866](#) [A831700C7.0](#)
[121EN188-R](#) [1245.0120](#) [125EN56-RB](#) [D433V3RD](#) [1267.0101](#) [1267.7101](#)