

Drg No :- **C 34235**

# INSTALLATION DRAWING

ISSUE	REVISION	DATE
1	FIRST ISSUE	16.5.89
2		7.7.89
3		29.7.92
4		5.8.98
5	REDRAWN ON NEW FORMAT	2.2.00

## SPECIFICATION

ACTUATING FORCE = 0.6N [2.2ozf] MAX

RELEASE FORCE = 0.07N [0.25ozf] MIN

FREE POSITION = 10.80 [0.43] MAX

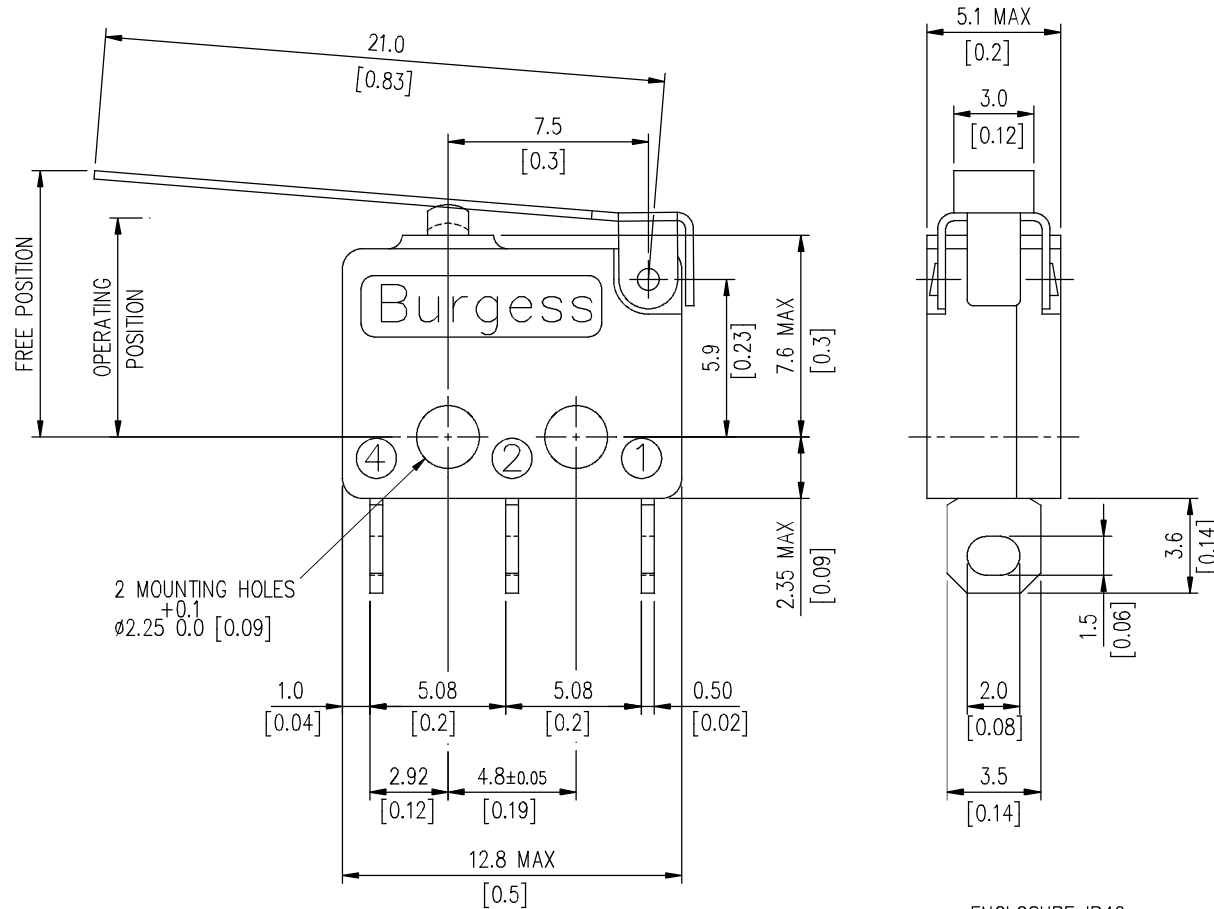
OPERATING POSITION =  $8.2 \begin{matrix} +1.0 \\ -0.7 \end{matrix}$  [0.32]

MOVEMENT DIFFERENTIAL = 0.7 [0.028] MAX

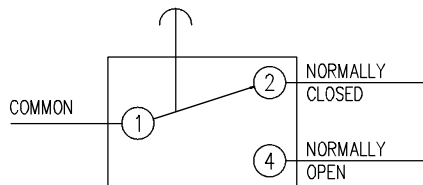
OVER TRAVEL = DEPRESS TO CASE (AVAILABLE)

**SPECIAL FEATURES :-**  
 TERMINALS GOLD FLASHED  
 TESTED & STAMPED TO UL & CSA REQUIREMENTS.

**APPROVALS RATING :-**  
 5A - 250V.A.C.



## DIAGRAM OF CONNECTIONS



DEGREE OF PROTECTION: - ENCLOSURE IP40  
 TERMINALS IP00

**SAIA-Burgess Electronics**

SWITCHES • MOTORS • CONTROLLERS

SAIA-Burgess Electronics Limited  
 Dukesway, Team Valley Trading Estate  
 Gateshead, Tyne & Wear NE11 0UB  
 Tel: (0191)4016100, Fax: (0191)4016322



**DO NOT SCALE !**  
 This drawing must only be amended on CAD system

TOLERANCES UNLESS STATED:-  
 NO DECIMAL PLACE ±0.50 1 DECIMAL PLACES ± 0.25  
 2 DECIMAL PLACES ±0.15 ANGULAR ±1°  
 INCH - OUNCE UNITS (IN BRACKETS)

ALL DIMENSIONS SPECIFIED IN MILLIMETRES

DRAWN	T.B.	<b>Approved</b>	
DATE	16.5.89	DRAWING OFFICE	
SCALE	5:1	ENGINEERING	
DATE ISSUED		QUALITY ASSURANCE	

TITLE / DESCRIPTION
F4T7Y1GP-UL

Drg No :- **C 34235** **A3**

## X-ON Electronics

Largest Supplier of Electrical and Electronic Components

*Click to view similar products for [Basic / Snap Action Switches](#) category:*

*Click to view products by [Saia-Burgess](#) manufacturer:*

Other Similar products are found below :

[83228001](#) [01.098.1358.1](#) [602EN1-6B](#) [602EN532](#) [602EN535-RB](#) [602HE5-RB1](#) [604HE162](#) [604HE223-6B](#) [624HE17-RB](#) [6HM89](#) [6PA78-JM](#)  
[6SE1](#) [6SX1-H58](#) [70500840](#) [MBD5B1](#) [MBH2731](#) [73-316-0012](#) [79211759](#) [79211923](#) [79218589](#) [7AS12](#) [ML-1155](#) [ML-1376](#) [831010C3.0](#)  
[831060C3.TL](#) [831090C2.EL](#) [83131904](#) [84212012](#) [8AS239](#) [8HM73-3](#) [903VB1-PG](#) [914CE1-6G](#) [PL-100](#) [11SM1077-H4](#) [11SM1077-H58](#)  
[11SM1-TN107](#) [11SM405](#) [11SM703-T](#) [11SM8423-H2](#) [11SX37-T](#) [11SX48-H58](#) [11SX55-H58](#) [11SM2442-T](#) [11SM76-T](#) [11SM77-H58](#)  
[11SM77-T](#) [11SM863-T](#) [11SM866](#) [11SX47-H58](#) [A7CN-1M-1-LEFT](#)