

TE1

TE1

Panel cut-out (mm) $\varnothing 16.2$ or $\varnothing 22.5$ with adapter option

- Characteristics
- NC contact with 3 mm contact gap
 - < 20 mm behind panel depth
 - rotary, reset mechanism
 - sealed IP65
 - 1NC + 1NO or 2 NC circuits

Rating 250 VAC, 2 A

Dimensions (mm) $\varnothing 25/\varnothing 30$

Actuator ■ red mushroom cap

Approvals EN 60947-1, EN 60947-5-1, EN 60947-5-5



Specifications

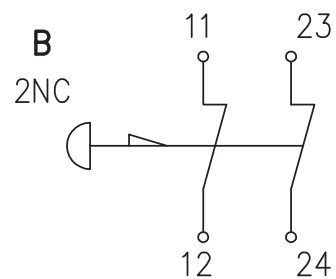
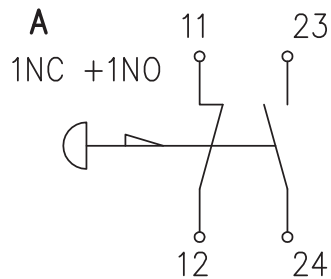
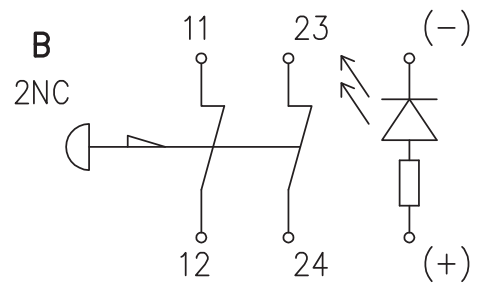
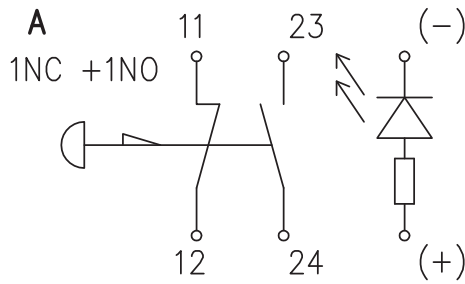
Mechanism	Latching positive action
Contact gap	≥ 3 mm
Actuating force	Approximately 30 N
Mounting	Central fixing with metal lock nut
Protection	IP65 (Pollution degree 3, Overvoltage category III)
Illumination	LED 24V dc, 10 mA
Temperature range °C	-25°C to +55°C
Contact material	Silver nickel with 0.4 µm gold plating
Contact resistance	<30 mOhm (new unused product)
Contact configuration	1 NC + 1 NO or 2 NC independent circuits
Terminals	Faston 4 × 2.8 mm × 0.5 mm (switching circuits) pre wired (illumination circuit)

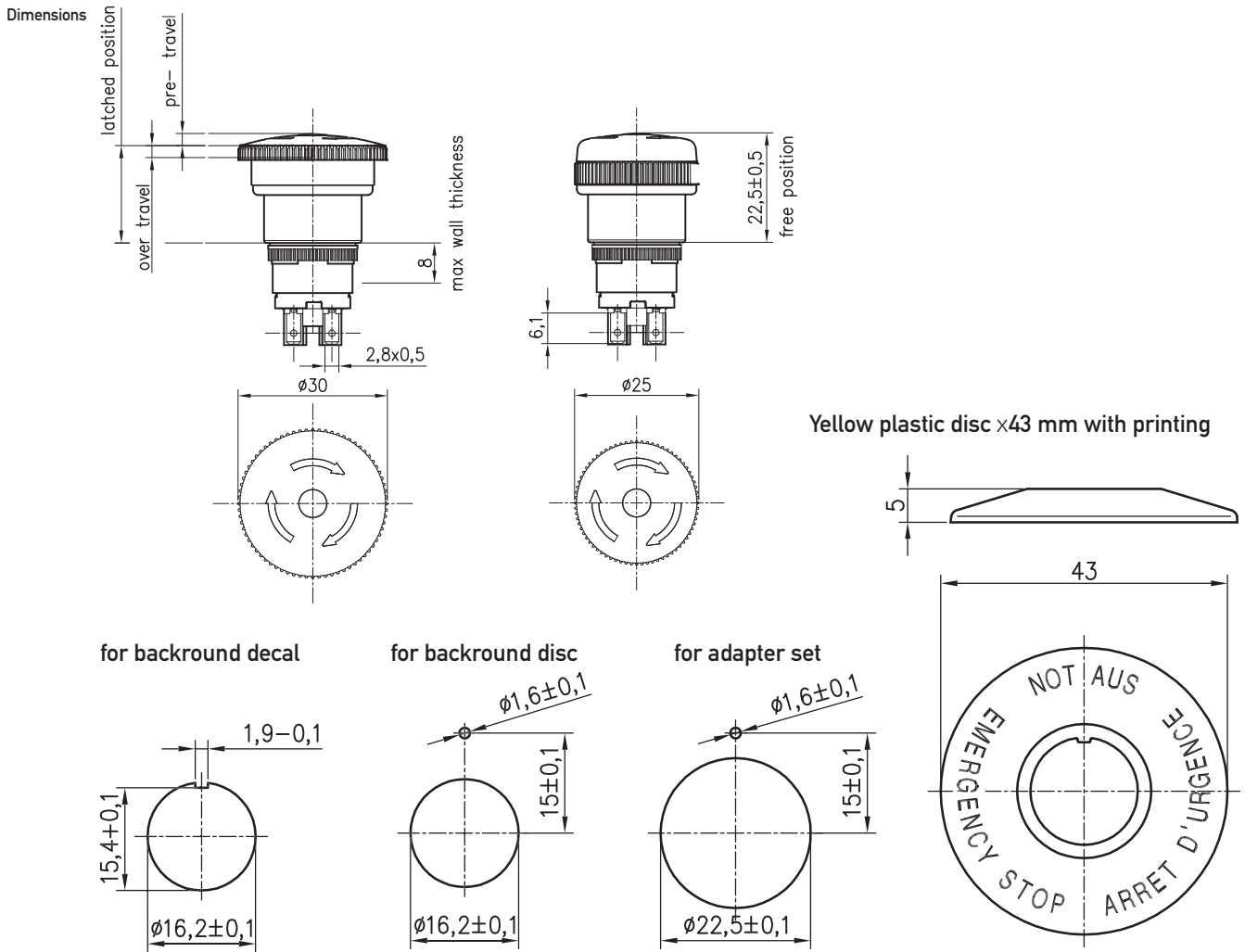
Recommended maximum electrical ratings

Voltage (max)	Resistive load (A)	Approval
250 VAC	2.0	EN 60947
Electrical life	6,050 cycles at 2A, 250V, AC15	
Mechanical life	30,000 cycles	

Circuit diagram

Illuminated





Emergency Stop

Ordering Reference

Basic type	TE1	Example: TE1 80 203 1 01		
Reset mechanism	80 Rotary			
Circuit configuration	203 1 normally closed and 1 normally open circuit 204 2 normally closed circuits			
	1 Non-illuminated 2 Illuminated			
Actuator style	01 Ø25 mm 02 Ø30 mm			
Accessories	TH893002000 Yellow plastic disc Ø43 mm with printing TH893000000 Yellow plastic adaptor Ø43 mm with printing		For 16.2 mm panel cut-out For 22.5 mm panel cut-out	

X-ON Electronics

Largest Supplier of Electrical and Electronic Components

Click to view similar products for [Emergency Stop Switches / E-Stop Switches](#) category:

Click to view products by [Saia-Burgess](#) manufacturer:

Other Similar products are found below :

[AVN302N-R](#) [SR AL40ALK-A01N](#) [AVD000T8](#) [D2D 1013H](#) [84-6820.0020A](#) [45-2C35.2920.110](#) [45-2C36.2820.000](#) [45-2D36.2920.000](#) [45-2D36.2A20.000](#) [84-5321.2B20](#) [84-5331.2B20](#) [84-5341.2B20](#) [84-6820.0040](#) [84-6841.2B40](#) [TZ-75](#) [BP 15](#) [SCHRAUBENSATZ M5X12](#) [SCHRAUBENSATZ M5X16](#) [AZ 16-03ZI-B1](#) [MONTAGESATZ MS AZM 161 P](#) [AZM201B-I2-SK-T-1P2PW](#) [SLK-F-UC-55-R1-A0-L1-0](#) [SLC-M-024-20/20-R4](#) [F3S-TGR-NLPC-21-10](#) [XCSPA891](#) [1.15.105.002/0000](#) [84-5040.0130](#) [HWAV-74-Y](#) [84-5141.2B40](#) [1.15.210.900/0000](#) [3004.5246](#) [3031.1306](#) [3050.0071](#) [3050.1303N](#) [30B4.1206](#) [3100.0110N](#) [ESR5-NE-51-24VAC-DC](#) [440A-A17101](#) [440E-A13078](#) [440E-A13079](#) [440E-A13080](#) [440E-A13081](#) [440G-A27011](#) [440G-T27127](#) [440K-A21006](#) [440K-A27010](#) [440K-T11090](#) [440K-T11467](#) [504222](#) [506406](#)