

DRG. No. C 34595		SWITCH V4NST7Y1-UL	
SHEET OF SHEETS			
DRAWN P.S.T.	DATE 19/3/90	APPROVED	
TRACED		DRAWING OFFICE	SALES DEPT.
SCALE 4:1		<i>T. Goll</i>	G. W.

DO NOT SCALE

# INSTALLATION DRAWING

THIRD ANGLE PROJECTION

© THIS DRAWING IS THE PROPERTY OF BURGESS MICRO SWITCH CO. LTD.  
AND MUST NOT BE USED OR COPIED, ENTIRELY OR IN PART, WITHOUT THE  
PERMISSION OF BURGESS MICRO SWITCH CO. LTD.

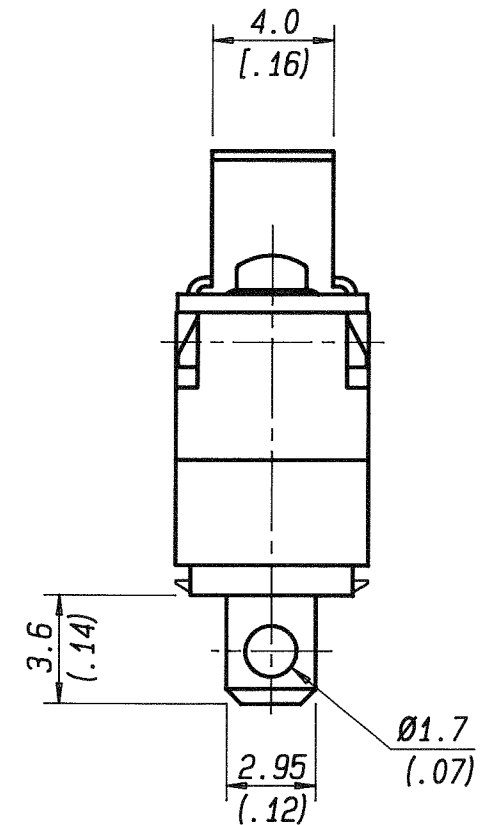
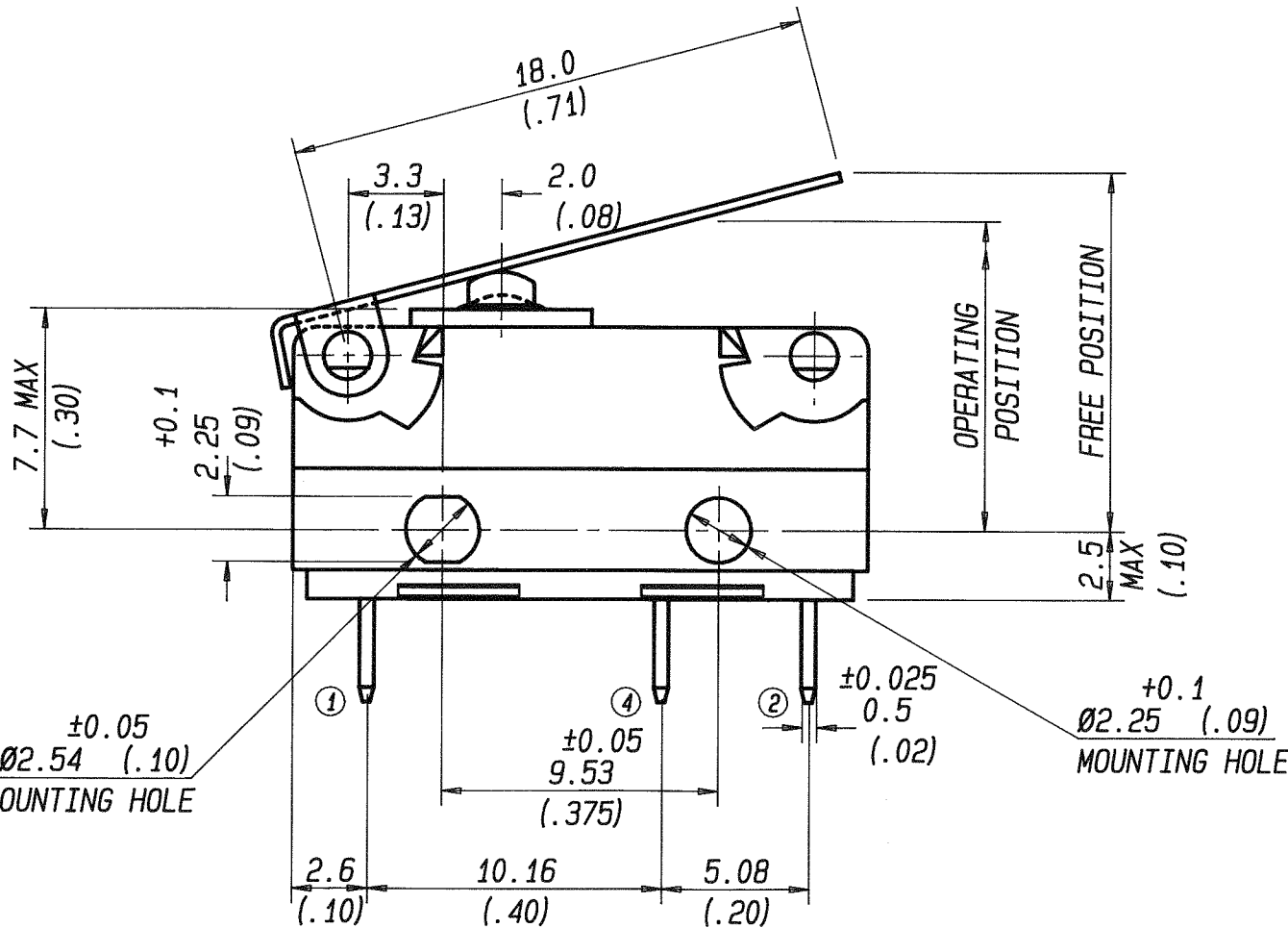
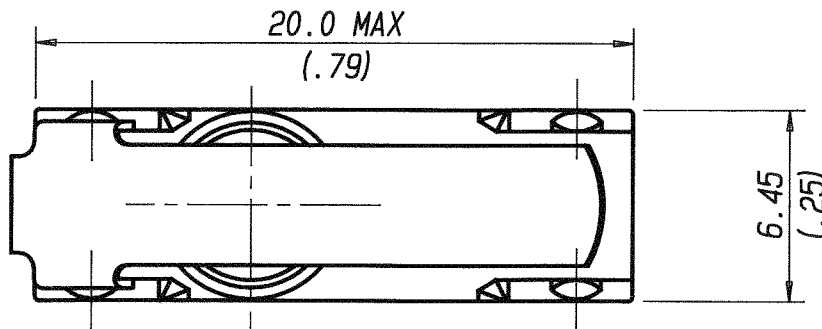
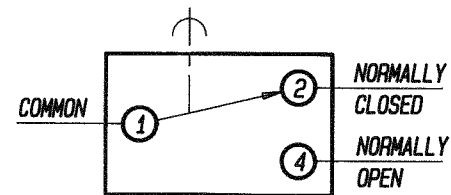
### SPECIFICATION

ACTUATING FORCE: - 0.9N (3.2ozf) MAX.  
 RELEASE FORCE: - 0.07N (.25ozf) MIN.  
 FREE POSITION: - 13.2 (.52) MAX.  
 OPERATING POSITION: - 10.6 ±1.5 (.42)  
 MOVEMENT DIFFERENTIAL: -0.4 (.015) MAX.  
 OVERTRAVEL (AVAILABLE): - DEPRESS TO CASE

SPECIAL FEATURE :-  
 TESTED AND STAMPED TO U.L. AND C.S.A. REQUIREMENTS

APPROVAL RATING :-  
 5 AMP - 125 OR 250V.AC.

### DIAGRAM OF CONNECTIONS



BURGESS MICRO SWITCH COMPANY LTD.  
 DUKES WAY, TEAM VALLEY, GATESHEAD,  
 TYNE & WEAR NE11 0UB  
 Tel. 091 4877171 Telex: 53229 Fax: (3) 091 4871610

ISSUE No. & DATE


THIS DRAWING MUST ONLY BE AMENDED ON CAD SYSTEM

ALL DIMENSIONS SPECIFIED IN MILLIMETRES.  
 TOLERANCES UNLESS STATED:- NO DECIMAL PLACE ± 0.5  
 1 DECIMAL PLACE ± 0.25 2 DECIMAL PLACES ± 0.15  
 ANGULAR ± 1° INCH-OUNCE UNITS (IN BRACKETS)

DEGREE OF PROTECTION:-  
 WEIGHT:-

SWITCH  
 V4NST7Y1-UL

DRG. No.  
 C 34595  
 SHEET OF SHEETS

## X-ON Electronics

Largest Supplier of Electrical and Electronic Components

*Click to view similar products for [Basic / Snap Action Switches](#) category:*

*Click to view products by [Saia-Burgess](#) manufacturer:*

Other Similar products are found below :

[83228001](#) [01.098.1358.1](#) [602EN1-6B](#) [602EN532](#) [602EN535-RB](#) [602HE5-RB1](#) [604HE162](#) [604HE223-6B](#) [624HE17-RB](#) [6HM89](#) [6PA78-JM](#)  
[6SE1](#) [6SX1-H58](#) [70500840](#) [MBD5B1](#) [MBH2731](#) [73-316-0012](#) [79211759](#) [79211923](#) [79218589](#) [7AS12](#) [ML-1155](#) [ML-1376](#) [831010C3.0](#)  
[831060C3.TL](#) [831090C2.EL](#) [83131904](#) [84212012](#) [8AS239](#) [8HM73-3](#) [903VB1-PG](#) [914CE1-6G](#) [PL-100](#) [11SM1077-H4](#) [11SM1077-H58](#)  
[11SM1-TN107](#) [11SM405](#) [11SM703-T](#) [11SM8423-H2](#) [11SX37-T](#) [11SX48-H58](#) [11SX55-H58](#) [11SM2442-T](#) [11SM76-T](#) [11SM77-H58](#)  
[11SM77-T](#) [11SM863-T](#) [11SM866](#) [11SX47-H58](#) [A7CN-1M-1-LEFT](#)