

Drg No :- C 44600

# INSTALLATION DRAWING

## SPECIFICATION

ACTUATING FORCE: -0.9N(3.2ozf)MAX

RELEASE FORCE : -0.07N(0.25ozf)MIN

FREE POSITION : - 17.8 (0.70) MAX  
±1.2

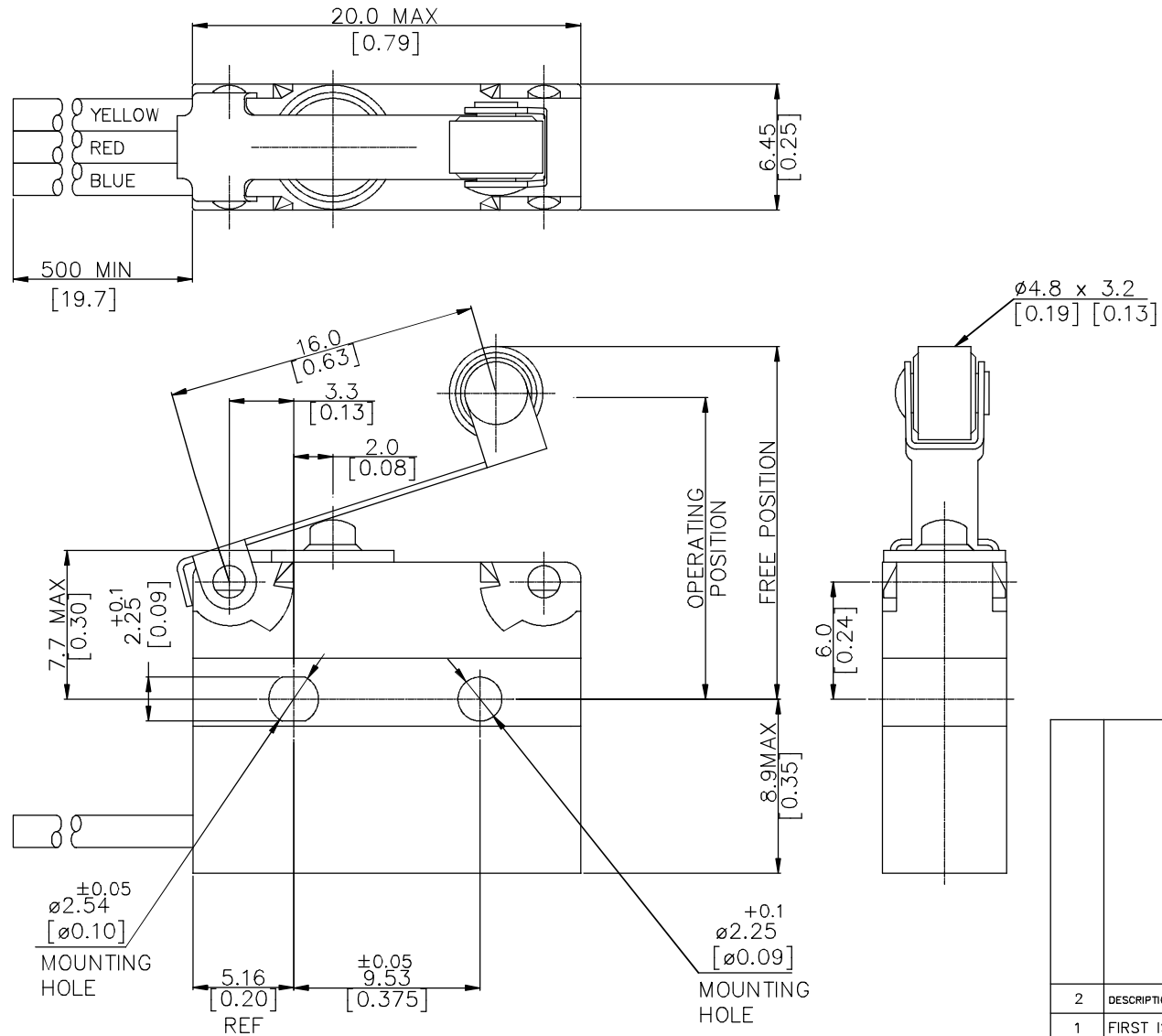
OPERATING POSITION : - 15.6 (0.61)

MOVEMENT DIFFERENTIAL : - 0.4(0.016)MAX

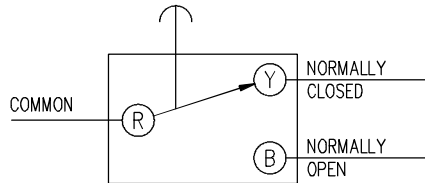
OVERTRAVEL (AVAILABLE) : - DEPRESS TO CASE

SPECIAL FEATURE : - TESTED AND STAMPED TO UL, CSA AND ENEC REQUIREMENTS

APPROVAL RATING : - 3A/250VAC (UL) 5A/250VAC (ENEC)



## DIAGRAM OF CONNECTIONS



|       |  |          |
|-------|--|----------|
| 2     | DESCRIPTION AND PRINTING UPDATED (EA-EH13-022) | 30/04/13 |
| 1     | FIRST ISSUE                                    | 5/08/02  |
| ISSUE | REVISION                                       | DATE     |

**saia-burgess**

Smart solutions for comfort and safety  
**Saia-Burgess** Gateshead Limited  
 Dukesway, Team Valley Trading Estate  
 Gateshead, Tyne & Wear NE11 0UB  
 Tel: +44 (0) 191 401 6100  
 Fax: +44 (0) 191 401 6322  
 www.saia-burgess.co.uk



DO NOT SCALE !

THIS DRAWING MUST ONLY BE AMENDED ON A CAD SYSTEM  
 ALL DIMENSIONS SPECIFIED IN MILLIMETRES

TOLERANCES UNLESS STATED:-

NO DECIMAL PLACE ±0.50  
 1 DECIMAL PLACES ±0.25  
 2 DECIMAL PLACES ±0.15  
 ANGULAR ±1°  
 INCH - OUNCE UNITS [IN BRACKETS]

APPROVED

|       |          |                   |  |
|-------|----------|-------------------|--|
| DRAWN | T.BELL.  | CHECKED BY        |  |
| DATE  | 31/07/03 | ENGINEERING       |  |
| SCALE | 4/1      | QUALITY ASSURANCE |  |

TITLE / DESCRIPTION

V4NSYRUL

Drg No :- C 44600

A3

## X-ON Electronics

Largest Supplier of Electrical and Electronic Components

*Click to view similar products for [Basic / Snap Action Switches](#) category:*

*Click to view products by [Saia-Burgess](#) manufacturer:*

Other Similar products are found below :

[83228001](#) [01.098.1358.1](#) [602EN1-6B](#) [602EN532](#) [602EN535-RB](#) [602HE5-RB1](#) [604HE162](#) [604HE223-6B](#) [624HE17-RB](#) [6HM89](#) [6PA78-JM](#)  
[6SE1](#) [6SX1-H58](#) [70500840](#) [MBD5B1](#) [MBH2731](#) [73-316-0012](#) [79211759](#) [79211923](#) [79218589](#) [7AS12](#) [ML-1155](#) [ML-1376](#) [831010C3.0](#)  
[831060C3.TL](#) [831090C2.EL](#) [83131904](#) [84212012](#) [8AS239](#) [8HM73-3](#) [903VB1-PG](#) [914CE1-6G](#) [PL-100](#) [11SM1077-H4](#) [11SM1077-H58](#)  
[11SM1-TN107](#) [11SM405](#) [11SM703-T](#) [11SM8423-H2](#) [11SX37-T](#) [11SX48-H58](#) [11SX55-H58](#) [11SM2442-T](#) [11SM76-T](#) [11SM77-H58](#)  
[11SM77-T](#) [11SM863-T](#) [11SM866](#) [11SX47-H58](#) [A7CN-1M-1-LEFT](#)