

# Spezifikation Specification

Schnappschalter-Kontakte  
Snap- action contacts

Ruhestellung:  
Free position Lo: max. 6.2 mm

Schaltpunkt:  
Operating position Ls:  $5.5 \pm 0.3$  mm

Differenzweg:  
Movement differential: 0.2 mm

Betätigungskraft:  
Actuating force: max. 1.5 N

Überhubstellung:  
Total travel position Le: 5 mm

Rückschaltkraft:  
Release force: min. 0.2 N

Schutzart:  
Degree of protection: IP 40

Kontakte:  
Contacts: Silber-Legierung  
Silver alloy

Anschlüsse:  
Terminals: Messing, Silber-flash  
Brass, silver flash

Mech. Lebensdauer:  
Mechanical Life:  $1E7$

Anerkannte Standards:  
Approved standards:

3.0A/125-250 VAC 6E3 / CO (NC/NO)



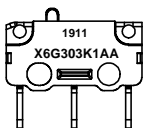
0.5A/250 VAC 5E4 / CO



2.0A/250 VAC 1E4 / NO/NC

Bedruckung  
Printing

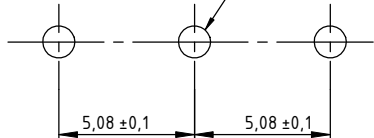
Produktions-Datum: KW Jahr  
Manufacturing date: CW Year



Typenschlüssel  
Type code

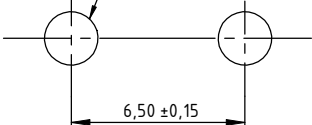
Platinen-Einbaumaße  
PCB mounting dimensions

Drei Bohrungen,  $\varnothing 1.2$ mm  
Three,  $\varnothing 1.2$ mm holes

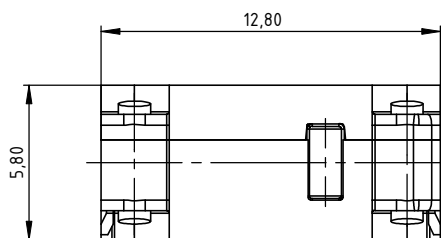
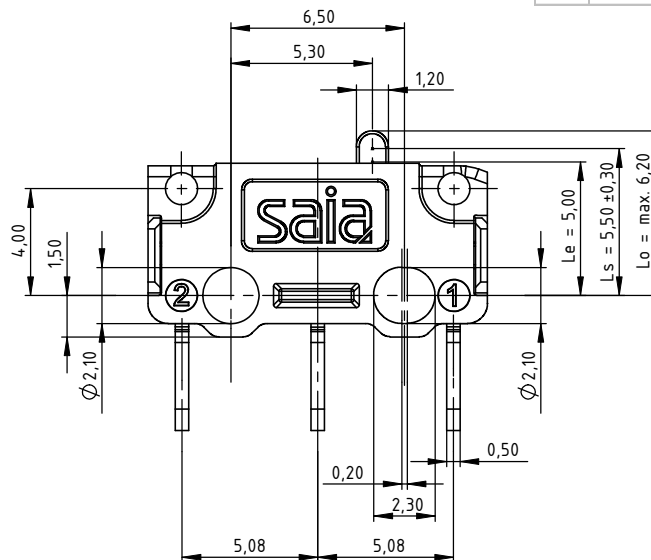


Befestigungsbohrungen  
Mounting holes

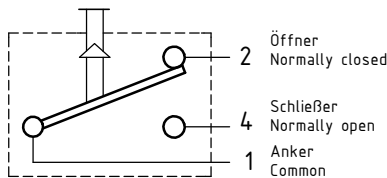
Zwei Bohrungen,  $\varnothing 2$ mm  
Two,  $\varnothing 2$ mm holes



# Einbauzeichnung Installation Drawing



# Schaltbild Circuit diagram



Zur Freigabe durch den Kunden  
For approval by customer

Allgemeintoleranzen nach DIN ISO 2768-1 (Auszug) general tolerances see DIN ISO 2768-1 (abridgement)					
Toleranzklasse grade of tolerance	0,5 bis/to 3	über/over 3 bis/to 6	über/over 6 bis/to 30	über/over 30 bis/to 120	über/over 120 bis/to 400
f (fein/fine)	$\pm 0.05$	$\pm 0.05$	$\pm 0.1$	$\pm 0.15$	$\pm 0.2$
m (mittel/middle)	$\pm 0.1$	$\pm 0.1$	$\pm 0.2$	$\pm 0.3$	$\pm 0.5$

M 2:1



Environmental Requirement as ESDC067		
DWN. BY de04fre0	CHK. BY de04fage0	APP. BY
Date (yyyymmdd) 19.05.2011	Date (yyyymmdd) 20.08.2012	Date (yyyymmdd)
MATERIAL:		Project-No.: E2544
FINISH:		Type: X6
General Tolerance: ISO 2768-1 Class m (Unless specified)		SCALE 5:1 (2:1)
ALL DIMENSIONS ARE IN MILLIMETRES		TITLE Ultraminiatur Microswitch
JOHNSON ELECTRIC GROUP OF COMPANIES ("JOHNSON ELECTRIC") <small>This document is the Property of Johnson Electric and the information therein contained is confidential. Unauthorised reproduction or other use thereof, whether directly or indirectly, in whole or in part, is strictly prohibited. All products made or otherwise derived directly or indirectly from this document are proprietary to Johnson Electric. © Copyright Johnson Electric Halver GmbH 2011. All rights reserved.</small>		Ultraminiatur Mikroschalter DWG No. X6G303K1AA_C 1434-9CE0001EP
		SHEET 1 OF 1

Für die korrekte Art des Einbaus ist der Anwender verantwortlich!  
Responsibility for the proper fitting is taken by the handler!

## X-ON Electronics

Largest Supplier of Electrical and Electronic Components

*Click to view similar products for [Basic / Snap Action Switches](#) category:*

*Click to view products by [Saia-Burgess](#) manufacturer:*

Other Similar products are found below :

[83228001](#) [01.098.1358.1](#) [602EN1-6B](#) [602EN532](#) [602EN535-RB](#) [602HE5-RB1](#) [604HE162](#) [604HE223-6B](#) [624HE17-RB](#) [6HM89](#) [6PA78-JM](#)  
[6SE1](#) [6SX1-H58](#) [70500840](#) [MBD5B1](#) [MBH2731](#) [73-316-0012](#) [79211759](#) [79211923](#) [79218589](#) [7AS12](#) [ML-1155](#) [ML-1376](#) [831010C3.0](#)  
[831060C3.TL](#) [831090C2.EL](#) [83131904](#) [84212012](#) [8AS239](#) [8HM73-3](#) [903VB1-PG](#) [914CE1-6G](#) [PL-100](#) [11SM1077-H4](#) [11SM1077-H58](#)  
[11SM1-TN107](#) [11SM405](#) [11SM703-T](#) [11SM8423-H2](#) [11SX37-T](#) [11SX48-H58](#) [11SX55-H58](#) [11SM2442-T](#) [11SM76-T](#) [11SM77-H58](#)  
[11SM77-T](#) [11SM863-T](#) [11SM866](#) [11SX47-H58](#) [A7CN-1M-1-LEFT](#)