

# XG

## Snap-action Microswitches

Miniature

### XG

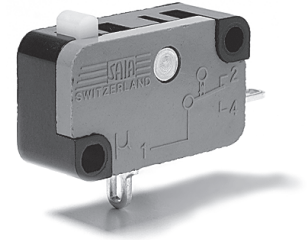
- Characteristics
- Wide number of force variants
  - High mechanical and electrical life
  - Solder terminals
  - Quick connect
  - PCB terminals
  - High temperature versions
  - Wide range of levers

Rating 250 VAC, 26 A

Dimensions (mm) 27.8 × 15.9 × 10.3

Actuator Plunger, plain levers, roller levers, simulated (cam follower) roller lever

Approvals UL, cUL, CSA, ENEC



### Preferred Range

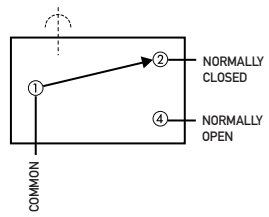
Ordering Reference	Actuating Force		Operating pos.		Terminal	Circuit	Actuator	Contacts	Electrical rating	
	(N)	(ozf)	(mm)	(in)					ENEC	UL/CSA
XGG2-88Z1	3.20	11.43	14.7	0.57	Faston	CO	Plunger	Ag / AgNi10	16(6) A	15 A
XGG2-88-J23Z1	1.40	5.03	14.9	0.59	Faston	CO	Plain lever	Ag / AgNi10	16(6) A	15 A
XGG2-88-J26Z1	0.91	3.27	14.5	0.57	Faston	CO	Plain lever	Ag / AgNi10	16(6) A	15 A
XGG2-88-J27Z1	0.65	2.34	13.7	0.54	Faston	CO	Plain lever	Ag / AgNi10	16(6) A	15 A
XGG2-88-S20Z1	3.20	11.43	20.2	0.79	Faston	CO	Roller lever	Ag / AgNi10	16(6) A	15 A
XGG2-88-S21Z1	1.55	5.57	20.1	0.79	Faston	CO	Roller lever	Ag / AgNi10	16(6) A	15 A
XGG3-88Z1	3.20	11.43	14.7	0.57	Solder	CO	Plunger	Ag / AgNi10	16(6) A	15 A
XGG6-88Z1	3.20	11.43	14.7	0.57	Faston	CO	Plunger	Ag / AgNi10	16(6) A	15 A
XGC2-88Z1	0.80	2.86	14.7	0.57	Faston	CO	Plunger	Ag / AgNi10	12(6) A	10 A
XGC2-88-J23Z1	0.35	1.26	15.0	0.59	Faston	CO	Plain lever	Ag / AgNi10	12(6) A	10 A
XGC2-88-S20Z1	0.80	2.86	20.2	0.79	Faston	CO	Roller lever	Ag / AgNi10	12(6) A	10 A
XGC6-88Z1	0.80	2.86	14.7	0.57	Faston	CO	Plunger	Ag / AgNi10	12(6) A	10 A
XGK2-88Z1	1.50	5.36	14.7	0.57	Faston	CO	Plunger	Ag / AgNi10	12(6) A	12 A
XGK2-88-J26Z1	0.43	1.55	14.7	0.57	Faston	CO	Plain lever	Ag / AgNi10	12(6) A	12 A
XGK2-88-S21Z1	0.71	2.55	20.2	0.80	Faston	CO	Roller lever	Ag / AgNi10	12(6) A	12 A
XGK3-88Z1	1.50	5.36	14.7	0.57	Solder	CO	Plunger	Ag / AgNi10	12(6) A	12 A
XGK6-88Z1	1.50	5.36	14.7	0.57	Faston	CO	Plunger	Ag / AgNi10	12(6) A	12 A
XG02-88Z1	1.20	4.29	14.5	0.57	Faston	CO	Plunger	Ag / AgNi10	16(6) A	15 A
XG02-88-J27Z1	0.25	0.90	13.6	0.54	Faston	CO	Plain lever	Ag / AgNi10	16(6) A	15 A
XG02-88-S20Z1	1.20	4.29	20.1	0.79	Faston	CO	Roller lever	Ag / AgNi10	16(6) A	15 A
XG06-88Z1	1.20	4.29	14.5	0.57	Faston	CO	Plunger	Ag / AgNi10	16(6) A	15 A

# XG

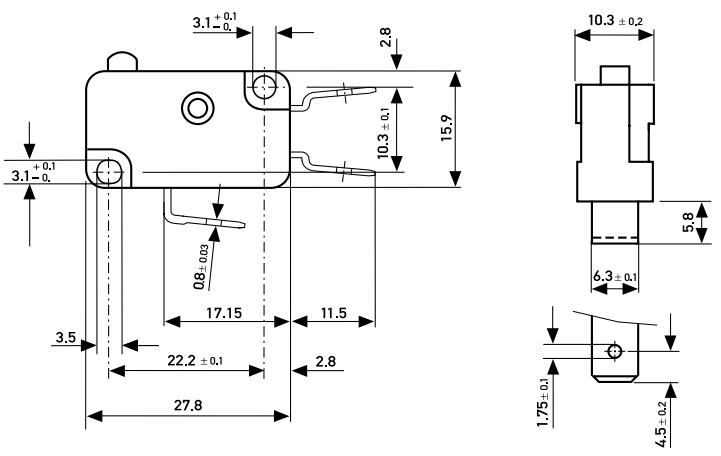
## Specifications

Housing	Phenolic-Melamine, thermosetting
Plunger	POM for T85, PBT for T125, PPS for T150
Mechanism	Heat-treated spring made from beryllium bronze, 4 parallel current path, high contact pressure
Functions	Change-over, normally-closed (except XGG and XGK) or normally-open
Contacts	Fine silver (Ag), silver nickel (AgNi10), gold-plated 4 µm (Au), silver cadmium oxide (AgCdO)
Terminals	Solder faston, screw, PCB and side mounting PCB terminals. RAST 5 terminals, 5.0 mm pitch
Temperature range °C	-40°C to +150°C
Mechanical life	2.5 · 10 <sup>5</sup> cycles minimum, 50 · 10 <sup>6</sup> cycles maximum (Actuation: sinusoidal and maximum up to 80% of the overtravel)
Protection	Enclosure IP40
Mounting	Side mounting via mounting holes
Actuators	Stainless steel

Circuit diagram



Dimensions



## Recommended maximum electrical ratings

	Voltage (VAC)	Approvals ENEC	UL	(VAC)		Voltage (VAC)	Approvals ENEC	UL	(VAC)
XGG...-88	250	16 (6) 5E4	15 A	125/250	XGT...-86	250	26 (10) 25E3	25A	125/250
XGA...-88	250	16 (6) 5E4	15 A	125/250	XGD...-86	250	22 (6) 5E4	21A	125/250
XGM...-88	250	16 (6) 5E4	15 A	125/250	XGA...-86	250	20 (8) 5E4	15A	125/250
XGO...-88	250	16 (6) 5E4	15 A	125/250	XGM...-86	250	20 (8) 5E4	15A	125/250
XGB...-88	250	12 (6) 5E4	12 A	125/250	XGO...-86	250	20 (8) 5E4	15A	125/250
XGC...-88	250	12 (6) 5E4	10 A	125/250	XGA...-86	400	10 (6) 5E4	-	-
XGH...-88	250	12 (6) 5E4	10 A	125/250	XGG...-86	400	10 (6) 5E4	-	-
XGK...-88	250	12 (6) 5E4	12 A	125/250	XGM...-86	400	10 (6) 5E4	-	-
XG...-88	400	3 (2) 5E4			XGO...-86	400	10 (6) 5E4	-	-

**XG**

**Operating Characteristics**

Actuator	Reference	Actuating Force		Release Force		Free Position Maximum		Operating Position		Movement Differential		Total travelled position	
		(N)	(ozf)	(N)	(ozf)	(mm)	(in)	(mm)	(in)	(mm)	(in)	(mm)	(in)
	XGG..	3.2	11.43	0.4	1.43	15.75	0.62	14.7	0.57	0.35	0.013	13.2	0.519
	XGA..	3.2	11.43	0.6	2.14	15.75	0.62	14.7	0.57	0.15	0.006	13.2	0.519
	XGM..	2	7.14	0.5	1.79	15.6	0.61	14.5	0.57	0.35	0.013	13.7	0.539
	XGO..	1.2	4.29	0.1	0.36	15.6	0.61	14.5	0.57	0.35	0.013	13.7	0.539
	XGK..	1.5	5.36	0.2	0.71	15.75	0.62	14.7	0.57	0.35	0.013	13.2	0.519
	XGB..	1.5	5.36	0.3	1.07	15.75	0.62	14.7	0.57	0.15	0.006	13.2	0.519
	XGC..	0.8	2.86	0.1	0.36	15.75	0.62	14.7	0.57	0.15	0.006	13.2	0.519
	XGH..	0.45	1.61	0.05	0.18	15.6	0.61	14.5	0.57	0.35	0.013	13.7	0.539
	XGD..	1.7	6.07	0.15	0.54	15.75	0.62	14.7	0.57	0.15	0.006	13.2	0.519
	XGG..	3.2	11.43	0.36	1.29	16.5	0.64	15.1 ± 0.5	0.59 ± 0.019	0.4	0.015	14	0.551
	XGA..	3.2	11.43	0.54	1.93	16.5	0.64	15.1 ± 0.5	0.59 ± 0.019	0.2	0.007	14	0.551
	XGM..	2	7.14	0.45	1.61	16.5	0.64	15 ± 0.5	0.59 ± 0.019	0.4	0.015	14.4	0.566
	XGO..	1.2	4.29	0.09	0.34	16.5	0.64	15 ± 0.5	0.59 ± 0.019	0.4	0.015	14.4	0.566
	XGK..	1.5	5.36	0.18	0.64	16.5	0.64	15.1 ± 0.5	0.59 ± 0.019	0.4	0.015	14	0.551
	XGB..	1.5	5.36	0.27	0.96	16.5	0.64	15.1 ± 0.5	0.59 ± 0.019	0.2	0.007	14	0.551
	XGC..	0.8	2.86	0.09	0.32	16.5	0.64	15.1 ± 0.5	0.59 ± 0.019	0.2	0.007	14	0.551
	XGH..	0.45	1.61	0.04	0.14	16.5	0.64	15 ± 0.5	0.59 ± 0.019	0.4	0.015	14.4	0.566
	Width of lever 7 mm/0.28 in												
	XGG..	2.6	9.29	0.32	1.14	19.2	0.75	17.5 ± 0.7	0.68 ± 0.027	0.45	0.017	16.4	0.645
	XGA..	2.6	9.29	0.48	1.71	19.2	0.75	17.5 ± 0.7	0.68 ± 0.027	0.2	0.007	16.4	0.645
	XGM..	1.65	5.89	0.4	1.43	19.2	0.75	17.3 ± 0.7	0.68 ± 0.027	0.45	0.017	16.9	0.665
	XGO..	1	3.57	0.08	0.29	19.2	0.75	17.3 ± 0.7	0.68 ± 0.027	0.45	0.017	16.9	0.665
	XGK..	1.25	4.46	0.16	0.57	19.2	0.75	17.5 ± 0.7	0.68 ± 0.027	0.45	0.017	16.4	0.645
	XGB..	1.25	4.46	0.24	0.86	19.2	0.75	17.5 ± 0.7	0.68 ± 0.027	0.2	0.007	16.4	0.645
	XGC..	0.65	2.32	0.08	1.29	19.2	0.75	17.5 ± 0.7	0.68 ± 0.027	0.2	0.007	16.4	0.645
	XGH..	1.37	1.32	0.04	0.14	19.2	0.75	17.3 ± 0.7	0.68 ± 0.027	0.45	0.017	16.9	0.665
	Width of lever 7 mm/0.28 in												
	XGG..	3.2	11.43	0.38	1.36	21.8	0.85	20.5 ± 0.6	0.81 ± 0.023	0.4	0.015	19.5	0.767
	XGA..	3.2	11.43	0.85	3.04	21.8	0.85	20.5 ± 0.6	0.81 ± 0.023	0.2	0.007	19.5	0.767
	XGM..	2	7.14	0.48	1.71	21.8	0.85	20.3 ± 0.6	0.8 ± 0.023	0.4	0.015	19.8	0.779
	XGO..	1.2	4.29	0.09	0.32	21.8	0.85	20.1 ± 0.6	0.79 ± 0.023	0.4	0.015	19.8	0.779
	XGK..	1.5	5.36	0.19	0.68	21.8	0.85	20.5 ± 0.6	0.81 ± 0.023	0.4	0.015	19.5	0.767
	XGB..	1.5	5.36	0.29	1.04	21.8	0.85	20.5 ± 0.6	0.81 ± 0.023	0.2	0.007	19.5	0.767
	XGC..	0.8	2.86	0.09	0.32	21.8	0.85	20.5 ± 0.6	0.81 ± 0.023	0.2	0.007	19.5	0.767
	XGH..	0.45	1.61	0.04	0.14	21.8	0.85	20.3 ± 0.6	0.8 ± 0.023	0.4	0.015	19.8	0.779
	Width of lever 7 mm/0.28 in												
	XGG..	3.2	11.43	0.37	1.32	21.8	0.85	20.2 ± 0.7	0.79 ± 0.027	0.4	0.015	19.3	0.759
	XGA..	3.2	11.43	0.56	2	21.8	0.85	20.2 ± 0.7	0.79 ± 0.027	0.2	0.007	19.3	0.759
	XGM..	2	7.14	0.47	1.68	21.8	0.85	20.1 ± 0.7	0.79 ± 0.027	0.4	0.015	19.7	0.775
	XGO..	1.2	4.29	0.09	0.32	21.8	0.85	20.1 ± 0.7	0.79 ± 0.027	0.4	0.015	19.7	0.775
	XGK..	1.5	5.36	0.18	0.64	21.8	0.85	20.2 ± 0.7	0.79 ± 0.027	0.4	0.015	19.3	0.759
	XGB..	1.5	5.36	0.28	1	21.8	0.85	20.2 ± 0.7	0.79 ± 0.027	0.2	0.007	19.3	0.759
	XGC..	0.8	2.86	0.09	0.32	21.8	0.85	20.2 ± 0.7	0.79 ± 0.027	0.2	0.007	19.3	0.759
	XGH..	0.45	1.61	0.04	0.14	21.8	0.85	20.1 ± 0.7	0.79 ± 0.027	0.4	0.015	19.7	0.775
	Width of roller 6.6 mm/0.26 in												
	XGG..	3.2	11.43	0.37	1.32	21.8	0.85	20.2 ± 0.7	0.79 ± 0.027	0.4	0.015	19.3	0.759
	XGA..	3.2	11.43	0.56	2	21.8	0.85	20.2 ± 0.7	0.79 ± 0.027	0.2	0.007	19.3	0.759
	XGM..	2	7.14	0.05	1.68	21.8	0.85	20.1 ± 0.7	0.79 ± 0.027	0.4	0.015	19.7	0.775
	XGO..	1.2	4.29	0.09	0.32	21.8	0.85	20.1 ± 0.7	0.79 ± 0.027	0.4	0.015	19.7	0.775
	XGK..	1.5	5.36	0.18	0.64	21.8	0.85	20.2 ± 0.7	0.79 ± 0.027	0.4	0.015	19.3	0.759
	XGB..	1.5	5.36	0.28	1	21.8	0.85	20.2 ± 0.7	0.79 ± 0.027	0.2	0.007	19.3	0.759
	XGC..	0.8	2.86	0.09	0.32	21.8	0.85	20.2 ± 0.7	0.79 ± 0.027	0.2	0.007	19.3	0.759
	XGH..	0.45	1.61	0.04	0.14	21.8	0.85	20.1 ± 0.7	0.79 ± 0.027	0.4	0.015	19.7	0.775
	Width of roller 6.6 mm/0.26 in												

<sup>1)</sup> Lever distance 8.2 (0.32) for lever position -20, lever position (-J20, L20, S20, M20)  
Lever distance 14.0 (0.55) for lever position -40, lever position (-J40, L40, S40, M40)

\* For high temperature T125° C/T 150° C (ENEC, UL)

# XG

## Ordering Reference

Type	XGG..	3.2 N	11.43 ozf		
Actuating	XGA../XGT..	3.2 N	11.43 ozf		
Characteristic	XGM..	2.0 N	7.14 ozf		
	XGO..	1.2 N	4.29 ozf		
	XGK..	1.5 N	5.36 ozf		
	XGB..	1.5 N	5.36 ozf		
	XGC..	0.8 N	2.86 ozf		
	XGH..	0.45 N	1.61 ozf		
	XGD..	1.7 N	6.07 ozf		
Circuit	No digit	Change-over			
	4	Normally closed (NC)			
	5	Normally open (NO)			
Terminals	02	Faston	6.3 × 0.8		
	03	Solder	1.7 × 3.2		
	06	Faston	4.8 × 0.5		
	10	Faston	4.8 × 0.8		
	12	Short solder	Ø 2.3		
	15	RAST 5	6.3 × 0.8		
Other types of terminals are available on request					
Version	No digit	ENEC	UL	Number of operations at rated load	
				Europe	UL
	A	T85	T90	50.000	6.000
	W	T150	T150	50.000	6.000
	AW	T150	T150	50.000	100.000
	B	T85	T90	10.000	6.000
	V	T125	T130	50.000	6.000
	AV	T125	T130	50.000	100.000
	C	T85	T90	25.000	6.000
	Contacts	-88	Ag / AgNi10		
		-81	Gold-plated 4 µm (Au) on Ag		
-86		Ag / Ag CdO			
Actuators	No digit	Plunger			
	J20/J40	Plain lever	13.5 mm		
	J22/J42	Plain lever	24.0 mm		
	J23/J43	Plain lever	27.8 mm		
	J27/J47	Plain lever	60.0 mm		
	M20/M40	Plain lever formed	14.7 mm		
	L20/L40	Cam follower	12.8 mm		
	L21/L41	Cam follower	26.2 mm		
	S20/S40	Roller lever	12.8 mm		
	T20/T40	Roller lever, 150° C version	12.8 mm		
Other actuators available on request					



## X-ON Electronics

Largest Supplier of Electrical and Electronic Components

*Click to view similar products for [Basic / Snap Action Switches](#) category:*

*Click to view products by [Saia-Burgess](#) manufacturer:*

Other Similar products are found below :

[5SM901-S12](#) [5SM9-S12N195](#) [602EN532](#) [602EN535-RB](#) [602HE5-RB1](#) [604HE162](#) [604HE223-6B](#) [624HE17-RB](#) [6HM82](#) [6HM89](#) [6SE1](#)  
[6SX1-H58](#) [70500216](#) [70599106](#) [MBD5B1](#) [MBH2731](#) [73-316-0012](#) [EXD-AR20](#) [79211923](#) [79218589](#) [7AS12](#)  
[MIL30126AB6BBMD4A12XAU](#) [ML-1155](#) [ML-1376](#) [831010C3.0](#) [831090C2.EL](#) [83131904](#) [84212012](#) [8AS239](#) [8HM73-3](#) [8SX26-H33](#)  
[914CE1-6G](#) [PL-100](#) [11SM1077-H4](#) [11SM1077-H58](#) [11SM1-TN107](#) [11SM405](#) [11SM8423-H2](#) [11SX37-T](#) [11SX48-H58](#) [11SM2442-T](#)  
[11SM76-T](#) [11SM77-H58](#) [11SM77-T](#) [11SM863-T](#) [11SM866](#) [A7CN-1M-1-LEFT](#) [A831700C7.0](#) [121EN188-R](#) [1245.0120](#)