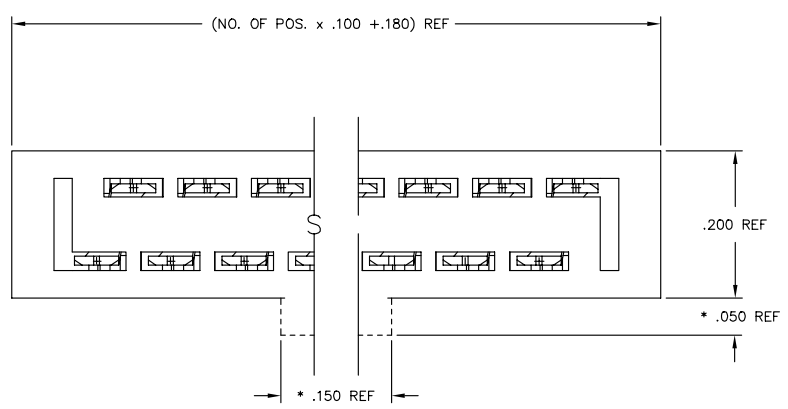


REVISIONS	
A	09/30/91 EN-3444 MK McCARTIN RELEASE FOR PRODUCTION
B	11/06/91 EN-3489 MK ECKERT ADD PACKAGING TUBE SPECS.
C	12/11/91 EN-3523 MK ECKERT CHG. ORIENTATION OF LOGO ON PACKAGING TUBE.
D	02/06/92 EN-3619 GP CHILTON 2-7 SPECIFY SUB-ASSEMBLY TO BE USED IN LEAD STYLE & OPTION. CHG FIRST POSITION INDICATOR.
E	03/13/92 EN-3672 TP CHILTON 3-13 CHG FSB SUB-ASSEMBLY CALL-OUTS TO C-47-X
F	05/04/93 EN-4222 GP ECKERT ADD -P: POLARIZED MATING OPTION.

DIMENSIONS ARE IN INCHES		UNLESS OTHERWISE NOTED		TOLERANCES ARE:	
ONE PLACE DECIMALS ±.1	THREE PLACE DECIMALS ± .005	ANGLES ± 2°			
TWO PLACE DECIMALS ±.01	FOUR PLACE DECIMALS ± .0020				

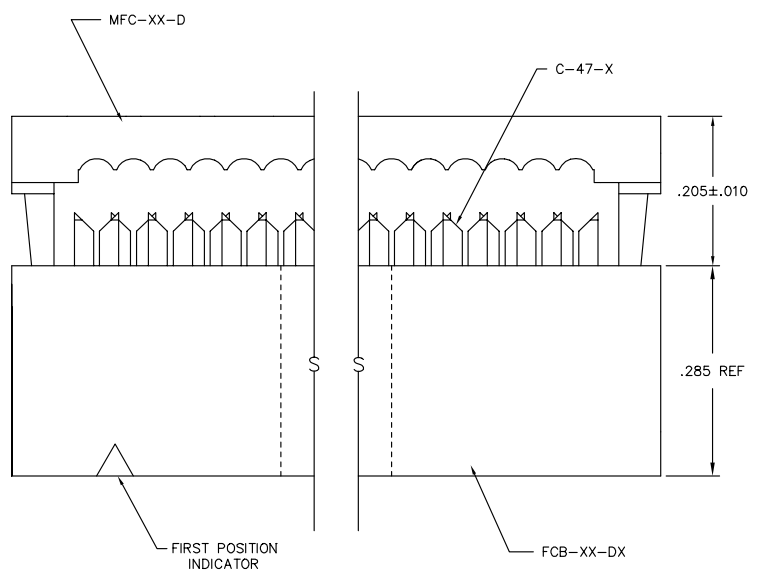
TITLE: 100 ♀ IDC MOLD TO POSITION FEMALE SUB-ASSEMBLY
 DWG NO: HCSD-XX-XX-XXX
 SHEET 1 OF 1



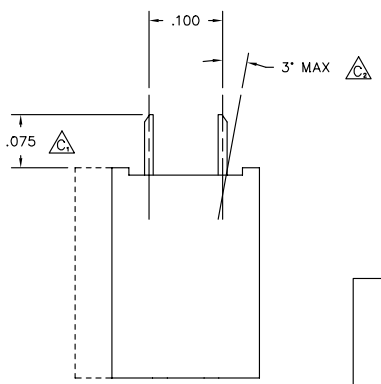
HCSD-XX-XX-XXX

- NO. OF POS. PER ROW
- 02, -03, -04, -05,
 - 07, -08, -09, -10,
 - 13, -14, -15, -17,
 - 20, -25, -30, -32,
 - 36

- OPTION
-P"XX": POLARIZED MATING USE PK-06
- OPTIONS
- T: TIN PLATING USE C-47-T (LEAVE BLANK FOR STANDARD SELECTIVE PLATING & USE C-47-S)
 - N: NOTCH POLARIZATION (SEE * DIMS. & NOTE 2) USE FCB-XX-DP (LEAVE BLANK FOR STANDARD AND USE FCB-XX-D)



END VIEW SHOWN WITH MFC-XX-D REMOVED



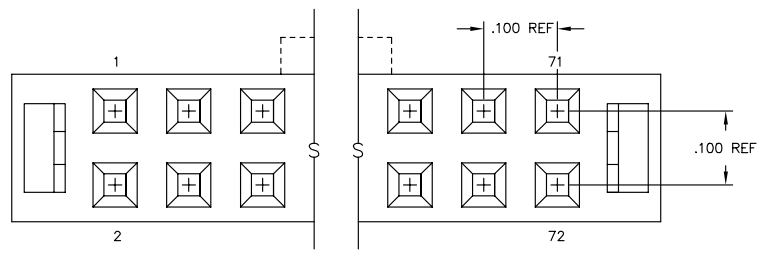
-P"XX"
POLARIZED MATING
XX = POSITION NO.
INSERT POLARIZING KEY PART NO. PK-06 INTO SPECIFIED POSITION -XX

POSITION PARTS IN TUBE AS SHOWN

PT-1-24-02-30

FIRST POS. INDICATOR

ARROW TO POINT AWAY FROM FIRST POS. INDICATOR



- NOTES
1. RETENTION FORCE OF CONTACT IN BODY TO BE 1/2 lbs. MIN.
 2. * = OPTIONAL POLARIZING KEY - NOT AVAILABLE ON POS. -02 THRU -05.
 3. ⚠ REPRESENTS CRITICAL DIMENSION FOR STATISTICAL PROCESS CONTROL.

PROPRIETARY NOTE
 THIS DOCUMENT CONTAINS INFORMATION CONFIDENTIAL AND PROPRIETARY TO SAMTEC INC. AND SHALL NOT BE REPRODUCED OR TRANSFERRED TO OTHER DOCUMENTS OR DISCLOSED TO OTHERS OR USED FOR ANY PURPOSE OTHER THAN THAT FOR WHICH IT WAS OBTAINED WITHOUT THE EXPRESSED WRITTEN CONSENT OF SAMTEC INC.

samtec HCSD-S EP/CABLE

810 PROGRESS BLVD. NEW ALBANY, INDIANA 47150
 PHONE (812) 944-6733 P.O. BOX 1147
 CODE 55322

MADE BY: KOLB 9-27-91
 CHECKED BY: McCARTIN

ENG. APPROVAL
 D.E.M.

HCSD-XX-XX-XXX
 SHEET 1 OF 1

X-ON Electronics

Largest Supplier of Electrical and Electronic Components

Click to view similar products for [Headers & Wire Housings](#) category:

Click to view products by [Samtec](#) manufacturer:

Other Similar products are found below :

[95000-104TRLF](#) [10135584-644402LF](#) [DF62W-EP2022PCA](#) [95000-106TRLF](#) [DF62W-2022SCA](#) [DF62W-EP2022PC](#) [2203348](#) [DF62W-2022SC](#) [1084018](#) [1029039](#) [1084017](#) [802-10-012-10-002000](#) [1112640](#) [1112639](#) [000-34000](#) [0009482033](#) [0009507031](#) [57102-S06-03LF](#) [57202-S52-04LF](#) [PCN6-15S-2.5E](#) [0039019024](#) [58102-G61-06LF](#) [582553-1](#) [0009485154](#) [0009508121](#) [0022285053](#) [0050291907](#) [018731A](#) [LY20-4P-DT1-P1E-BR](#) [02.125.8002.8](#) [60101931](#) [60598-1 \(Cut Strip\)](#) [M1625-3R/100](#) [61062-3](#) [61082-181009](#) [636-1427](#) [638009-1](#) [641938-9](#) [641991-4](#) [644168-1](#) [647662-1](#) [65039-019ELF](#) [65781-018](#) [65781-047](#) [65817-002LF](#) [65817-015LF](#) [65863-015LF](#) [66207-023LF](#) [67016-026LF](#) [67046-001LF](#)