

2.40 mm TO 50 GHz

2.40 mm Cable Assemblies

RF047-A, RF085, RF086, RF23C, RF120



VSWR

RF047-A: 1.35 max.
RF086: 1.40 max.
RF085: 1.40 max.
RF23C: 1.40 max.
RF120: 1.40 max.

SERIES	END 1 CONNECTOR	END 2 CONNECTOR	OVERALL LENGTH
RF047-A (1.2 mm) .047" overshield DIA 29 AWG millimeter wave cable	-24SJ = 2.40 mm Straight Jack		-“XXXX” = Overall Length in millimeters
RF086 = (2.18 mm) .086" overshield DIA 23 AWG millimeter wave cable	-24SP = 2.40 mm Straight Plug		-0100 (100 mm) 3.94" minimum (RF047-A, RF085, RF086, RF120)
RF085 = (2.16 mm) .085" overshield DIA 24 AWG millimeter wave cable	ALSO AVAILABLE		-0152 (0152 mm) 5.984" minimum (RF23C)
RF23C = MWC-2350CU-01 millimeter wave cable with copper foil shield	1.35 mm, 1.85 mm, 2.92 mm, SMPM = RF047-A	1.85 mm, 2.92 mm, SMPM = RF086	
RF120 = MWC-19550-FCU-01 19 AWG millimeter wave cable	2.92 mm = RF085	2.92 mm = RF23C	
	2.92 mm = RF120		

2.40 mm Cable Connectors

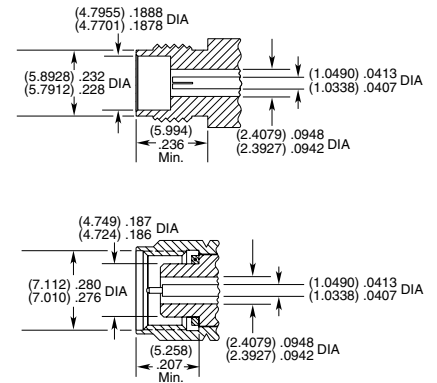
PRF24



CONNECTORS FOR INDUSTRY STANDARD CABLES	
PRF24-J-C-EP-085-SS	Harbour SS405, flexible alternative to RG 405
PRF24-J-C-EP-405-BS	RG 405, .085, semi-rigid
PRF24-P-C-EE-085-SD	Harbour SS405, flexible alternative to RG 405
PRF24-P-C-EP-120A-SS	Semflex HP120, low loss flexible
PRF24-J-C-EP-160-SS	Semflex HP160, low loss flexible
PRF24-P-C-EP-160-SS	Semflex HP160, low loss flexible
PRF24-J-C-EP-140B-SS	IW 1401, low loss flexible
PRF24-P-C-EP-140B-SS	IW 1401, low loss flexible
PRF24-J-C-EP-150B-SS	IW 1501, low loss flexible
PRF24-J-C-EP-150-SS	Dynawave DF150, low loss flexible
PRR24-J-C-EP-086-SS	.086 Temp-flex, low loss flexible
PRF24-P-C-EP-086-SS	.086 Temp-flex, low loss flexible

P-C = Cable Plug
 J-C = Cable Jack
 EE = Plating (50 μ" gold center contact & outer contact)
 EP = Plating (50 μ" gold center contact, passivated outer contact)
 SS = Straight, Solder Clamp
 SD = Straight, Direct Solder
 BS = Bulkhead, Solder Clamp

INTERFACE STANDARD



2.40 mm Board Connectors

240

Cable Mates:

RF047-A, RF086, RF085, RF23C, RF120



240	GENDER	TYPE	PLATING	ORIENTATION	TERMINATION	OPTION
	-J = Jack	-P = PCB Mount	-EP = 50 μ" (1.27 μm) Gold center contact, Passivated outer contact	-ST = Straight	-CM = Compression Mount Stripline	-1 = without Screws
					-CMM = Compression Mount Microstrip	-2 = With Screws

-CM SHOWN

-CMM SHOWN

X-ON Electronics

Largest Supplier of Electrical and Electronic Components

Click to view similar products for [RF Connectors / Coaxial Connectors](#) category:

Click to view products by [Samtec](#) manufacturer:

Other Similar products are found below :

[8915-1511-000](#) [89674-0827](#) [6001-7071-019](#) [6002-7051-003](#) [6002-7551-202](#) [6059674-1](#) [619550-1](#) [630059-000](#) [M39030/3-01N](#) [6500-7071-046](#) [6769](#) [CX050L2AQ](#) [7002-1541-010](#) [7002-1542-011](#) [7004-1512-000](#) [7009-1511-004](#) [7010-1511-000](#) [7029-1511-060](#) [7101-1541-010](#) [7101-1571-002](#) [7145-1521-002](#) [7203-1571-003](#) [7209-1511-011](#) [7210-1511-015](#) [7210-1511-019](#) [73137-5015](#) [73216-2241](#) [73404-2300](#) [7405-1521-005](#) [7405-1521-802](#) [8527](#) [8547](#) [FS11V](#) [877931](#) [8808-1511-001](#) [9049-9513-000](#) [9074-9513-000](#) [9101-9573-002](#) [910A205F](#) [9130-9573-002](#) [PL11SC-026](#) [PL375-33](#) [PL40-5](#) [PL74C-221](#) [PL75MC-217](#) [PL803-7](#) [1200690078](#) [1-201144-1](#) [R107003010W](#) [R110A172100](#)