

2.40 mm TO 50 GHz

2.40 mm Cable Assemblies

RF047-A, RF085, RF086, RF23C



VSWR

RF047-A: 1.35 max.
RF086: 1.40 max.
RF085: 1.40 max.
RF23C: 1.40 max.

SERIES

RF047-A

= (1.2 mm) .047" overshield DIA 29 AWG millimeter wave cable

RF086

= (2.18 mm) .086" overshield DIA 23 AWG millimeter wave cable

RF085

= (2.16 mm) .085" overshield DIA 24 AWG millimeter wave cable

RF23C

= MWC-2350CU-01 millimeter wave cable with copper foil shield

END 1 CONNECTOR

-24SJ

= 2.40 mm Straight Jack

-24SP

= 2.40 mm Straight Plug

END 2 CONNECTOR

OVERALL LENGTH

-“XXXX”

= Overall Length in millimeters

-0100 (100 mm)
 3.94" minimum

ALSO AVAILABLE

1.00 mm, 1.35 mm, 1.85 mm,
 2.92 mm, SMPM, SMP, SMA = RF047-A

1.85 mm, 2.92 mm, SMPM, SMP, SMA = RF086

2.92 mm = RF085

2.92 mm, SMPM, SMP, SMA = RF23C

2.40 mm Board Connectors

240

Cable Mates:

RF047-A, RF086, RF085, RF23C



240 - GENDER - TYPE - PLATING - ORIENTATION - TERMINATION - OPTION - PACKAGING

-J

= Jack

-P

= PCB Mount

-EP

= 50 μ" (1.27 μm) Gold center contact, Passivated outer contact

-ST

= Straight

-CM

= Compression Mount Stripline

-CMM

= Compression Mount Microstrip

-EL

= Edge Launch

-1

= Without Screws (-CM & -CMM only)

-2

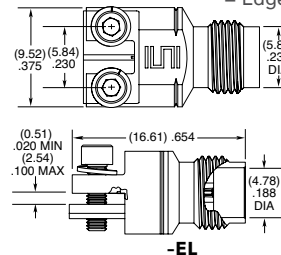
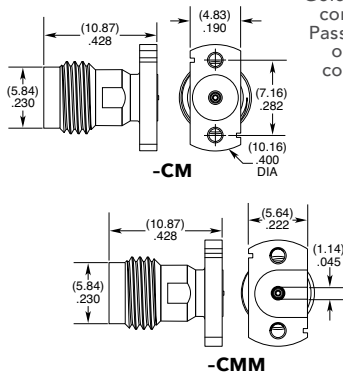
= With Screws (-CM & -CMM only)

-01

= .040" to .100" PCB thickness (-EL only)

Leave blank for individually bagged

-B = Bulk packaged



2.40 mm Cable Connectors

PRF24



CONNECTORS FOR INDUSTRY STANDARD CABLES

PRF24-J-C-EP-085-SS	Harbour SS405
PRF24-J-C-EP-405-BS	RG 405
PRF24-P-C-EE-085-SS	Harbour SS405
PRF24-P-C-EP-120A-SD	Semflex HP120
PRF24-J-C-EP-160-SS	Semflex HP160
PRF24-P-C-EP-160-SS	Semflex HP160
PRF24-J-C-EP-140B-SS	IW 1401
PRF24-P-C-EP-140B-SS	IW 1401
PRF24-J-C-EP-150B-SS	IW 1501
PRF24-J-C-EP-150-SS	Dynawave DF150
PRR24-J-C-EP-086-SS	Temp-Flex 1001935086
PRF24-P-C-EP-086-SS	Temp-Flex 1001935086

For a complete list of 2.40 mm cable connectors, visit www.samtec.com?PRF24

P-C = Cable Plug

J-C = Cable Jack

EE = Plating (50 μ" gold center contact & outer contact)

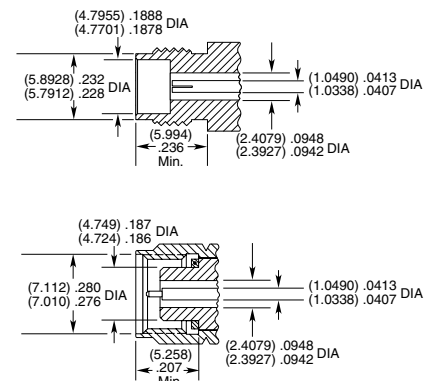
EP = Plating (50 μ" gold center contact, passivated outer contact)

SS = Straight, Solder Clamp

SD = Straight, Direct Solder

BS = Bulkhead, Solder Clamp

INTERFACE STANDARD



X-ON Electronics

Largest Supplier of Electrical and Electronic Components

Click to view similar products for [RF Connectors](#) / [Coaxial Connectors](#) category:

Click to view products by [Samtec](#) manufacturer:

Other Similar products are found below :

[89674-0827](#) [6059674-1](#) [630059-000](#) [6501-1071-002](#) [6769](#) [7002-1541-010](#) [7002-1572-002](#) [7004-1512-000](#) [7009-1511-004](#) [7101-1541-010](#)
[7101-1571-002](#) [7105-1521-002](#) [7203-1571-003](#) [7209-1511-011](#) [7210-1511-040](#) [7242-1511-000](#) [7405-1521-005](#) [7405-1521-802](#)
[804S01D04M040](#) [8527](#) [8547](#) [FS11V](#) [877931](#) [8808-1511-001](#) [9049-9513-000](#) [9074-9513-000](#) [PL11C-026](#) [PL40-36](#) [9408-1113-000](#) [980-](#)
[8666-005](#) [11 SMA-50-2-6 / 111 NE](#) [11 SMA-50-3-6 / 111 NE](#) [1-201144-1](#) [120919](#) [R107003010W](#) [R112186000](#) [R113053000W](#) [R113082097](#)
[R113236000](#) [R114083000](#) [R114670000W](#) [R123415000W](#) [R124076320](#) [R124076450](#) [R124175123](#) [R125075000W](#) [R125075001](#)
[R125172000W](#) [R125415030](#) [R141007161](#)