

6QCD-026-06.00-STL-TTR-3

(0.635 mm) .025"

# HIGH-SPEED COAX CABLE ASSEMBLIES

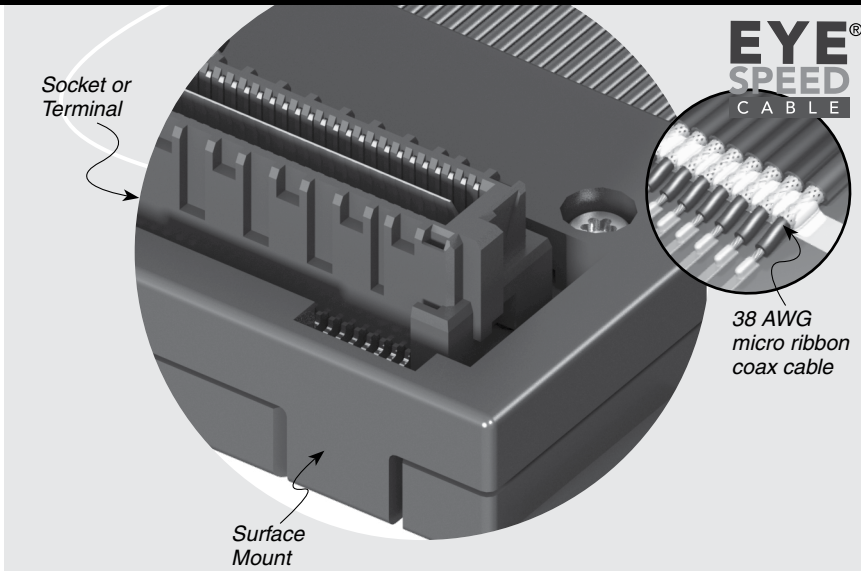
## SPECIFICATIONS

For complete specifications see [www.samtec.com?SQCD](http://www.samtec.com?SQCD) or see [www.samtec.com?6QCD](http://www.samtec.com?6QCD)

- Cable:**  
38 AWG coax micro ribbon
- Signal Routing:**  
50 Ω Single-Ended
- Overall Length:**  
(152 mm) 6" to (1 m) 40" standard
- Cable Flexing Life:**  
>40,000 cycles
- Cable Bending Radius:**  
<2.5 mm
- Plating:**  
Au over 50 μm (1.27 μm) Ni
- Propagation Delay:**  
4.79 nsec/meter
- Operating Temp Range:**  
-40 °C to +105 °C
- RoHS Compliant:**  
Yes

**SQCD Mates with:**  
QTS, QSS

**6QCD Mates with:**  
QMS, QFS



**EYE<sup>®</sup> SPEED CABLE**

38 AWG micro ribbon coax cable

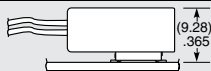
## RECOGNITIONS

For complete scope of recognitions see [www.samtec.com/quality](http://www.samtec.com/quality)



TYPE	NO. POSITIONS PER ROW	WIRE LENGTH
<b>SQCD</b> = Mates with QTS/QSS	-025, -050, -075 (SQCD)	- "XX.XX" = Wire Length in Inches (43.7 mm) 01.72" Minimum.
<b>6QCD</b> = Mates with QMS/QFS	-026, -052 (6QCD)	

## APPLICATIONS

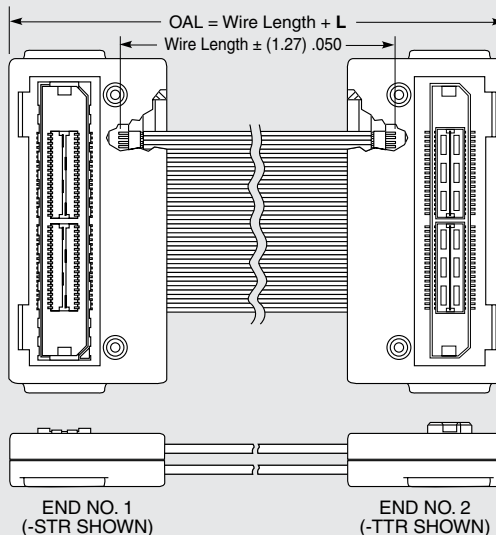


Processing conditions will affect mated height.

## ALSO AVAILABLE (MOV Required)

- Other pin counts
- Other terminations

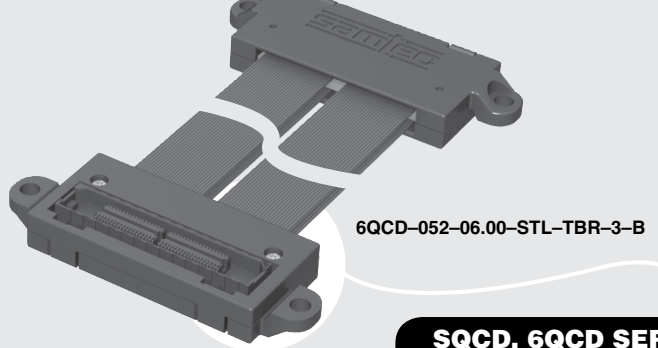
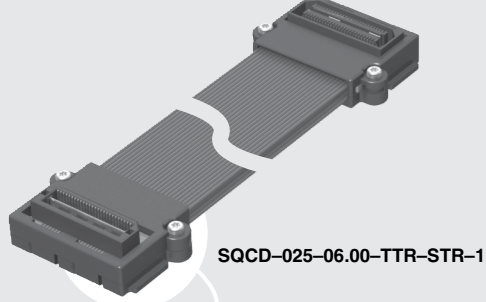
END TO END	L	
	SQCD	6QCD
Surface Mount to Surface Mount	(24.13) .950	(28.47) 1.121



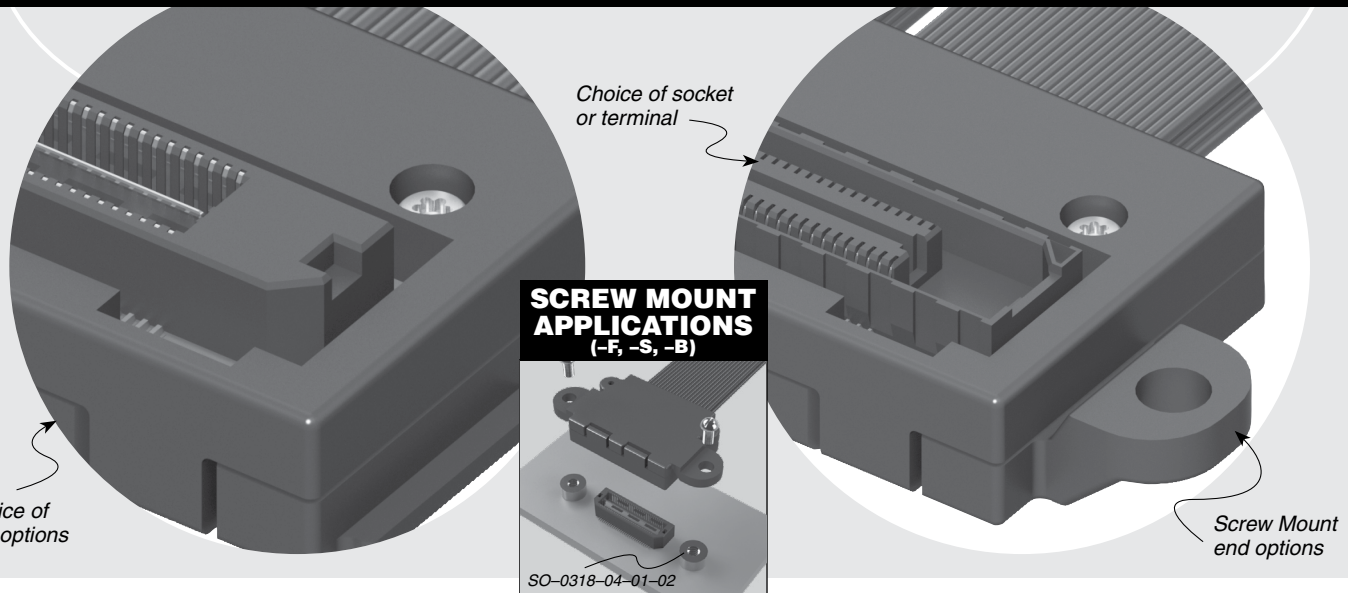
**Notes:**  
Cable lengths longer than 40.00" (1 meter) are not supported with S.I. test data.

Design your full cable assembly with Samtec's High-Speed Cable Builder at [www.samtec.com/cablebuilder](http://www.samtec.com/cablebuilder)

This Series is non-standard, non-returnable.



**SQCD, 6QCD SERIES**



**END NO. 1**

**END NO. 2**

**WIRING OPTION**

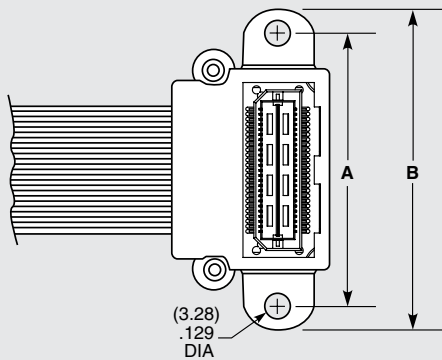
**SCREW DOWN END OPTION**

Specify END ASSEMBLIES from chart

- 1 = Pin 1 to Pin 1
- 2 = Pin 1 to Pin 2
- 3 = Pin 1 to Second Last Pin
- 4 = Pin 1 to Last Pin

- Leave blank for no Screw Option
- F = End No. 1
  - S = End No. 2
  - B = Both Ends

END	SURFACE MOUNT
TTR	Terminal, Top, Notch Right
TTL	Terminal, Top, Notch Left
TBR	Terminal, Bottom, Notch Right
TBL	Terminal, Bottom, Notch Left
STR	Socket, Top, Notch Right
STL	Socket, Top, Notch Left
SBR	Socket, Bottom, Notch Right
SBL	Socket, Bottom, Notch Left



SERIES	NO. OF POSITIONS	A	B
SQCD	-025	(40.10) 1.579	(34.00) 1.339
	-050	(60.10) 2.366	(54.00) 2.126
	-075	(80.10) 3.154	(74.00) 2.913
6QCD	-026	(45.47) 1.790	(39.50) 1.555
	-052	(66.80) 2.630	(61.00) 2.402

SURFACE MOUNT (-XTX & -XBX)  
SCREW DOWN OPTIONS

## X-ON Electronics

Largest Supplier of Electrical and Electronic Components

*Click to view similar products for [Ribbon Cables / IDC Cables](#) category:*

*Click to view products by [Samtec](#) manufacturer:*

Other Similar products are found below :

[FSK-12A](#) [AWG28-10G](#) [EHJ3C](#) [EHJ4C](#) [cab-LVDV-PWR-10-15](#) [FSP-25A](#) [3365/15 \(100FT\)](#) [cab-LVDV-DAT-34-15](#) [49635-C62-S2](#) [1-3636-600-5204](#) [92315-1408](#) [426171120-3](#) [3625/08 \(100M\)](#) [0044704](#) [2-1589735-3](#) [JSM015PP2DCC23N](#) [92301-0283](#) [ACL-eSSI-2](#) [92301-0718](#) [MMSDT-06-20-S-05.5-D-K-LDX](#) [IDD-04-G](#) [NM-2J2-051-PS1-JJAB](#) [1700/14SF \(100FT\)](#) [1700/26SF \(100FT\)](#) [1700/34SF \(100FT\)](#) [3801/09 \(100FT\)](#) [DS1057-06A282R-30.5](#) [DS1057-12A282R-30.5](#) [DS1057-14A282R-76.5](#) [DS1057-20A282R-76.5](#) [DS1057-24A282R-76.5](#) [DS1057-26A282R-76.5](#) [DS1057-30A282R-76.5](#) [DS1057-34A282R-76.5](#) [DS1057-40A282R-76.5](#) [DS1057-60A282R-76.5](#) [DS1057-64A282R-76.5](#) [DS1058-08M28-30.5](#) [DS1058-30M28-30.5](#) [3750/10 \(100FT\)](#) [0015712](#) [0015905](#) [S30109](#) [11203](#) [11223](#) [11243](#) [11262](#) [0037147](#) [0022512](#) [0022412](#)