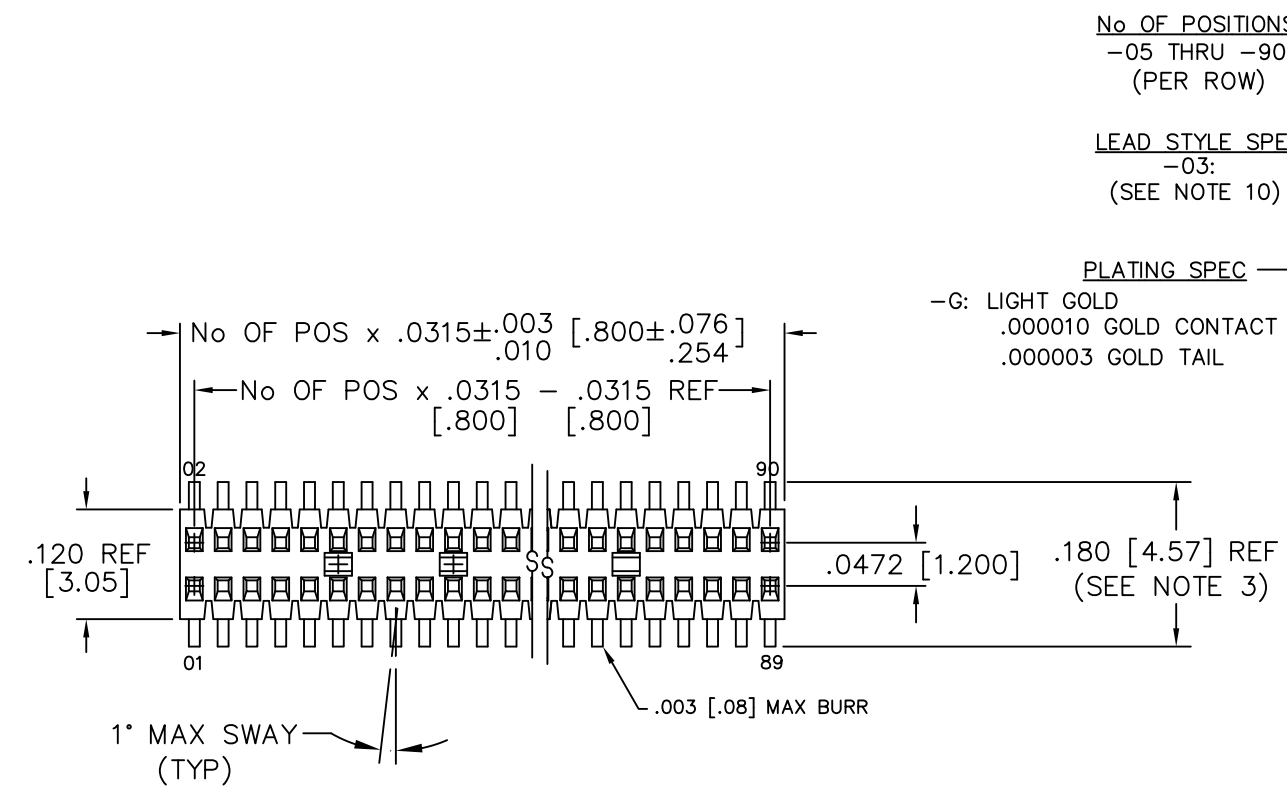


DO NOT SCALE FROM THIS PRINT

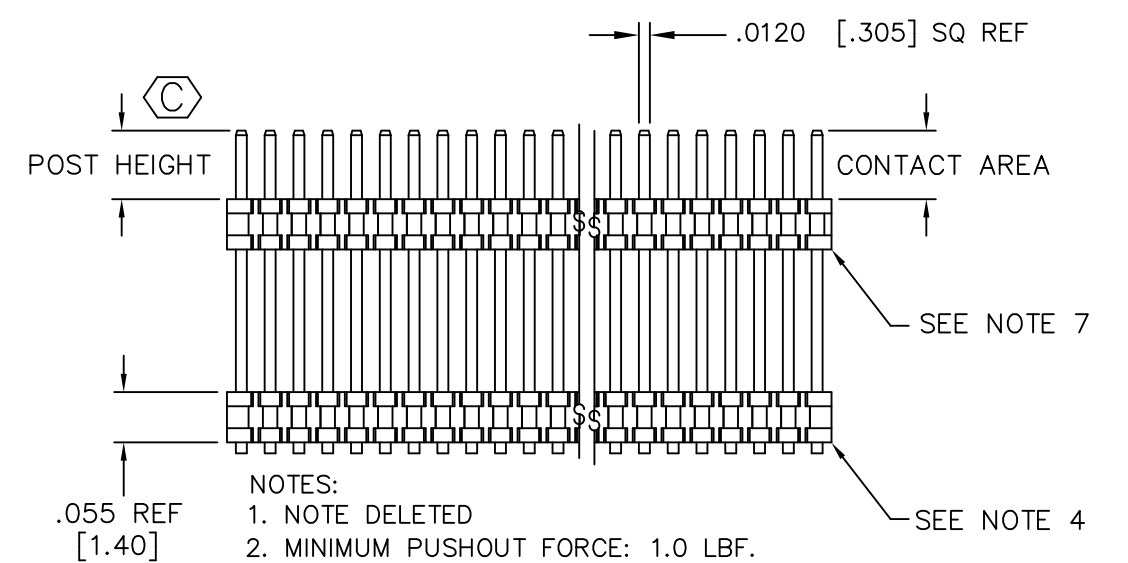
UNLESS OTHERWISE NOTED
 DIMENSIONS ARE IN INCHES TOLERANCES ARE:
 ONE PLACE DECIMALS ±.1[2.5] THREE PLACE DECIMALS ±.005[.13] ANGLES ± 2°
 TWO PLACE DECIMALS ±.01[.3] FOUR PLACE DECIMALS ±.0020[.051]

TITLE: .8MM x 1.2MM C.L. TERMINAL STRIP ASSM
 DWG NO: AW-XX-03-X-D-XXX-XXX-XX
 SHEET 1 OF 3

AW-XX-03-X-D-XXX-XXX-XX



- No OF POSITIONS**
 -05 THRU -90 (PER ROW)
- LEAD STYLE SPEC**
 -03: (SEE NOTE 10)
- PLATING SPEC**
 -G: LIGHT GOLD
 .000010 GOLD CONTACT AREA,
 .000003 GOLD TAIL
- OPTIONS**
 -P: PICK & PLACE PAD (8 POS MIN, SEE FIG. 2, SHEET 2)
 (USE PPP-37-NT FOR TAPE & REEL)
 (USE PPP-37 FOR TUBE)
 -ES: END SHROUD
 (SEE FIG. 8 SHEET 3 FOR SNAPPED-ON)
 (USE FTE-ES, 11 POS MIN)
 (SEE NOTE 5)
 (SEE FIG. 7 SHEET 3 FOR MOLDED)
 (5 POS MIN)
 -EP: END SHROUD GUIDE POST (SEE FIG. 4 SHEET 2)
 (USE FTE-EP, 11 POS MIN)
 (SEE NOTE 5)
 -A: ALIGNMENT PIN OPTION
 MOLDED (04-90 POSITIONS) (SEE FIG 5 SHEET 2)
 (MOLDED NOT AVAILABLE ON ALL POS)
 STAKED (08-90 POSITIONS) (SEE FIG 6 SHEET 2)
 (SEE NOTE 6)
 -TR: TAPE & REEL OPTION
 (84 POSITIONS MAX)
- POST HEIGHT**
 .075 [1.91] MINIMUM
 POST + SPACE = .305 [7.75] MAX
- SPACE OPTION**
 "A": .230 [5.84] MAX w/ .075 [1.91] POST
 *.122 [3.09] MIN
- ROW SPEC**
 -D: DOUBLE ROW VERTICAL (SEE NOTE 4)



- NOTES:
 1. NOTE DELETED
 2. MINIMUM PUSHOUT FORCE: 1.0 LBF.
 3. TAILS TO BE SHEARED TO DIMENSION SHOWN.
 4. FOR BOTTOM BODY AND .122 SPACE OPTION USE FTE-90-D-A FOR AUTOMATION. FOR OTHER SPACE OPTIONS USE AW-90-D-A FOR AUTOMATION. USE FTE-90-D-A FOR ALL HANDFILL. PROCESS CHOSEN AT SAMTEC DISCRETION.
 5. FOR USE WITH .075 [1.91] POST HEIGHT ONLY
 6. FOR USE WITH BOARD STACKS BETWEEN .160 [4.06] AND .230 [5.84] ONLY.
 7. USE FTE-90-D-A FOR TOP BODY (PLACE BODY SO THAT ALIGNMENT PIN CORES ARE NOT VISIBLE).
 8. .010 [.25] MAX CUT FLASH
 9. (C) REPRESENTS A CRITICAL DIMENSION.
 10. USE T-1S29-02-X FOR MACHINE FILLED. USE T-1S29-04-X FOR HAND FILLED.
 11. FOR ADDED MECHANICAL STABILITY, SAMTEC RECOMMENDS MECHANICAL BOARD SPACERS BE USED IN APPLICATIONS WITH GOLD OR SELECTIVE GOLD PLATED CONNECTORS. CONTACT IPG@SAMTEC.COM FOR MORE INFORMATION

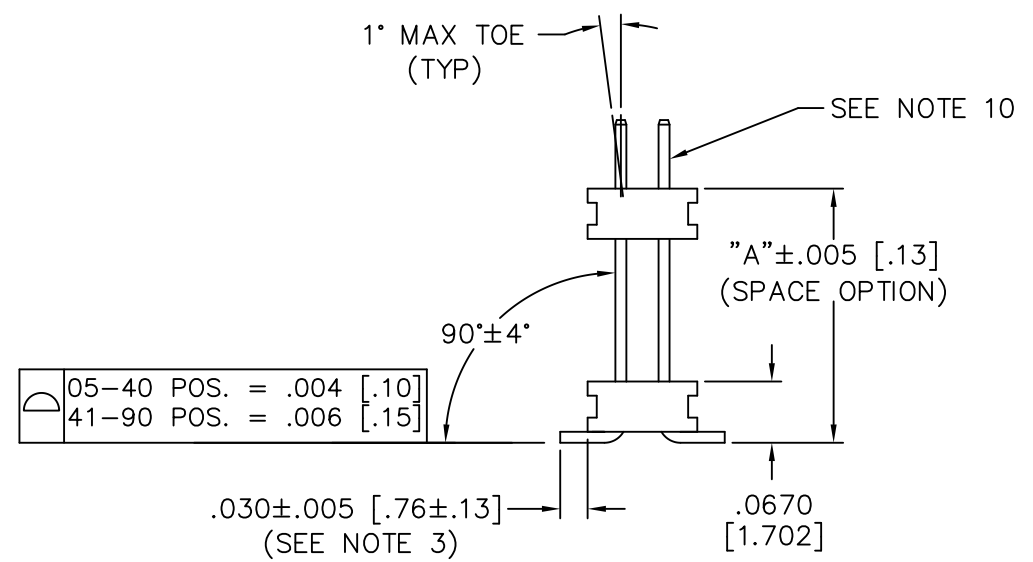


FIG 1

PROPRIETARY NOTE
 THIS DOCUMENT CONTAINS CONFIDENTIAL AND PROPRIETARY INFORMATION AND ALL DESIGN, MANUFACTURING, REPRODUCTION, USE, PATENT RIGHTS AND SALES RIGHTS ARE EXPRESSLY RESERVED BY SAMTEC, INC. THIS DOCUMENT SHALL NOT BE DISCLOSED, IN WHOLE OR PART, TO ANY UNAUTHORIZED PERSON OR ENTITY NOR REPRODUCED, TRANSFERRED OR INCORPORATED IN ANY OTHER PROJECT IN ANY MANNER WITHOUT THE EXPRESS WRITTEN CONSENT OF SAMTEC, INC.

MATERIAL:
 BODY: FTE-90-D-XX, VECTRA E130I OR ZENITE 6130L, COLOR: BLACK OR AW-90-D-A, 6130L, COLOR: NATURAL
TERMINAL:
 PHOS BRONZE

EXISPROD\ASSEMBLY\POINT8MM AW-ASM

520 PARK EAST BLVD. NEW ALBANY, INDIANA 47150
 PHONE (812) 944-6733 P.O. BOX 1147
 CODE 55322

MADE BY: PURVIS 12-14-95
 AW-XX-03-X-D-XXX-XXX-XX
 SHEET 1 OF 3

X-ON Electronics

Largest Supplier of Electrical and Electronic Components

Click to view similar products for [Board to Board & Mezzanine Connectors](#) category:

Click to view products by [Samtec](#) manufacturer:

Other Similar products are found below :

[10135583-642402LF](#) [89885-310LF](#) [589158040000018](#) [6-1393048-0](#) [68683-613](#) [MDF7-12DP-2.54DSA](#) [MDF7-18P-2.54DSA\(01\)](#) [MDF7-20DP-2.54DSA](#) [MDF7-26D-2.54DSA\(55\)](#) [MDF7-3P-2.54DSA\(01\)](#) [MDF7B-3P-2.54DSA\(55\)](#) [MDF7C-11P-2.54DSA\(55\)](#) [MDF7C-18P-2.54DSA\(55\)](#) [MDF7C-5P-2.54DSA\(01\)](#) [MDF7P-5P-2.54DSA\(55\)](#) [75234-0516](#) [FCN-230C068-11](#) [FCN-268F012-G/BD](#) [FCN-268F036-G/BD](#) [FCN-268M012-G/0D](#) [FCN-268M024-G/1D](#) [FCN-360C008-C](#) [FCN-360C040-C](#) [FCN-723J004/1](#) [MIS-048-01-F-D-DP-K](#) [832-10-034-10-001000](#) [93696-325LF](#) [11828-1FA](#) [AXK630345P](#) [18097-0013](#) [ICA-328STT](#) [2007042-2](#) [304400-2](#) [FCN-214Q030-G/0](#) [FCN-215Q040-G/0](#) [FCN-230C068-ESA](#) [FCN-234P048-G/0](#) [FCN-235D050-G/C](#) [FCN-360A3](#) [FCN-360C040-B](#) [210-93-314-41-105000](#) [2-22603-0](#) [379-064-521-202](#) [MDF7-12P-2.54DSA\(01\)](#) [MDF7-16P-2.54DS\(56\)](#) [MDF7-40DP-2.54DSA\(55\)](#) [MDF7-8P-2.54DSA\(55\)](#) [MDF7B-16P-2.54DSA\(55\)](#) [AXG720047](#) [5031084030](#)