

REVISION CS

DO NOT SCALE FROM THIS PRINT

UNLESS OTHERWISE NOTED TOLERANCES ARE: ANGLES ± 2°

ONE PLACE DECIMALS ± .1 [2.5mm] TWO PLACE DECIMALS ± .005 [0.13mm] THREE PLACE DECIMALS ± .0005 [0.013mm] FOUR PLACE DECIMALS ± .00002 [0.508mm]

TITLE: HIGH TEMP 2MM SMT BOARD STACKING TERMINAL STRIP ASM

DWG NO: TW-XX-XX-XXX-X-XXX-SM-XXX-XX

SHEET 1 OF 3

TABLE 1

LEAD STYLE	TERMINAL	MAX "A" ("B" IS .000 [.00] MIN)	"C" OVERALL PIN LENGTH
-02	T-1S13-02-XXX-2	.309 [7.85]	.377 [9.6]
-03	T-1S13-03-XXX-2	.487 [11.86]	.535 [13.6]
-04	T-1S13-06-XXX-2	.487 [12.37]	.555 [14.1]
-06	T-1S13-10-XXX-2	.605 [15.37]	.673 [17.1]
-07	T-1S13-11-XXX-2	.683 [17.35]	.751 [19.1]
-09	T-1S13-13-XXX-2	.388 [9.86]	.456 [11.6]

NOTES:

- MAX. PIN ROTATION IN BODY: 2°
- PUSHOUT FORCE SHALL BE 1 lb MIN.
- Ⓢ REPRESENTS A CRITICAL DIMENSION
- ALL DIMENSIONS IN BRACKETS [] TO BE MILLIMETERS.
- HEIGHT VARIATION BETWEEN ANY TWO PINS SHALL BE .010 MAX
- TUBE POSITIONS -04 THROUGH -36 ONLY; BULK PACKAGE -02 & -03. TUBE PLUG MUST BE ALLIGNED WITH INSULATOR. (SEE DETAIL ON PAGE 2)
- MOLDED OR STAKED ALIGNMENT PIN AT SAMTEC'S DISCRETION.
- SPACE OPTION FROM .170 TO .209 REQUIRES AN ADDITIONAL REPRESS.
- NOTE DELETED.
- M OPTION AVAILABLE ON -D ROW ONLY. -M OPTION AVAILABLE ON POSITIONS 4-36 ONLY. -P OPTION AVAILABLE ON 4-36 POSITION ONLY.
- DUE TO THE HIGH AMOUNT OF INSERTION FORCE NEEDED, THE -LC OPTION IS NOT COMPATIBLE WITH AUTO PLACEMENT. SAMTEC RECOMMENDS MANUAL PLACEMENT FOR ALL ASSEMBLIES WITH THE -LC OPTION.
- S-A FOR EXISTING BUSINESS ONLY, NEW DESIGNS WILL BE AN ASP.
- MAX CUT FLASH: .020 [0.51]

TW-XX-XX-XXX-X-XXX-SM-XXX-XX

No. OF POSITIONS EXPRESSED IN # OF POS (-02 THRU -36) "XX" = No OF POS x .07874 [2.00]

LEAD STYLE (SEE TABLE 1)

PLATING

- G: 20μ" GOLD IN CONTACT AREA, 3μ" GOLD ON TAIL (USE T-1S13-XX-G-2)
- T: MATTE TIN CONTACT AND TAIL (USE T-1S13-XX-T-2)
- S: 30μ" GOLD IN CONTACT AREA, MATTE TIN ON TAIL (USE T-1S13-XX-S-2)
- E: 50μ" GOLD IN CONTACT AREA, 3μ" GOLD ON TAIL (USE T-1S13-XX-E-2)
- L: 10μ" GOLD IN CONTACT AREA, MATTE TIN ON TAIL (USE T-1S13-XX-L-2)
- F: 3μ" GOLD IN CONTACT AREA, MATTE TIN ON TAIL (USE T-1S13-XX-F-2)
- P: 2μ" - 5μ" GOLD IN CONTACT AREA, MATTE TIN ON TAIL (USE T-1S13-XX-P-2)
- TL: TIN/LEAD (90%/10 +/-5%) CONTACT AND TAIL (USE T-1S13-XX-TL-2)
- STL: 30μ" GOLD IN CONTACT AREA, TIN/LEAD (90%/10 +/-5%) TAIL (USE T-1S13-XX-STL-2)
- LTL: 10μ" GOLD IN CONTACT AREA, (90%/10 +/-5%) TAIL (USE T-1S13-XX-LTL-2)
- H: 30μ" GOLD IN CONTACT AREA, 3μ" GOLD ON TAIL (USE T-1S13-XX-H-2)
- SM: 30μ" GOLD IN CONTACT AREA, MATTE TIN ON TAIL (USE T-1S13-XX-SM-2)
- TM: MATTE TIN CONTACT AND TAIL (USE T-1S13-XX-TM-2)
- LM: 10μ" GOLD IN CONTACT AREA, MATTE TIN ON TAIL (USE T-1S13-XX-LM-2)
- FM: 3μ" GOLD IN CONTACT AREA, MATTE TIN ON TAIL (USE T-1S13-XX-FM-2)

OPTION 1

- LC: LOCKING CLIP (SEE FIG 2, SHEET 2)(SEE NOTE 11) (-D ROW: USE 2TS-XX-D) (-S ROW: USE 2TS-XX-SV) (.190 MIN BOARD SPACE)
- *-A: MOLDED ALIGNMENT PIN (SEE FIG 3, SHEET 2 & NOTE 7) (AVAILABLE IN 2-36 POSITIONS) (2 POSITIONS WILL ONLY HAVE ONE ALIGNMENT PIN) (-D ROW ONLY: USE 2TS-XX-DV-A) (-S ROW: USE 2TS-XX-SV-A) (*-SEE NOTE 12) (BOTTOM BODY ONLY, USE TMM-50-X FOR TOP) STAKED ALIGNMENT PIN (SEE FIG 4, SHEET 2 & NOTE 7) (-D ROW ONLY: USE TMM-50-D, 4 POS MIN) (.190 MIN BOARD SPACE FOR BOTH)
- P: PICK & PLACE PAD (SEE NOTE 10) (-D ROW: USE PPP-10) (-S ROW: USE PPP-11) NOTE: "B" = .075 [1.91] MIN FOR THIS OPTION (SEE FIG 6)
- M: PICK & PLACE PAD (SEE NOTE 10) (-D ROW: USE PPP-10) NOTE: "B" MUST BE .075 OR GREATER FOR THIS OPTION. (SEE FIG 5)
- TR: TAPE AND REEL PACKAGING (-07 LEAD STYLE NOT AVAILABLE IN T & R) (SEE SHEET 3 FOR -S-TR OPTION ORIENTATION VIEW) (.475 MAX "A" WHEN COMBINED WITH -P OPTION)

OPTION 2

-XXX: POLARIZED POSITION (SPECIFY OMITTED PIN)

SURFACE MOUNT

SPACE OPTION

(SEE NOTE 8) XXX="A" (SEE TABLE 1, .170 [4.32] MIN)

(*SEE NOTE 12)

ROW OPTION
-S: SINGLE ROW (USE TMM-50-S)
-D: DOUBLE ROW (USE TMM-50-D)

TABLE 2 (SEE NOTE 6)

LEAD STYLE	OPTIONS	TUBE	PLUGS
-02, -04, -07, -09	-D, -D-LC, -D-A	PT-TW001-D-SM	TP-38
-03	-D, -D-LC, -D-A	PT-TW001-D-SM	TP-38
ALL	-S, -S-LC, -S-A	PT-TW002-S-SM	TP-12
-02, -09	-D-A-P, -D-LC-P, -D-P, -D-LC-M, -D-A-M, -D-M	PT-TW001-D-SM	TP-38
-03, -04	-D-A-P, -D-LC-P, -D-P, -D-LC-M, -D-A-M, -D-M	PT-TW001-D-SM	TP-38
-07	-D-A-P, -D-LC-P, -D-P, -D-LC-M, -D-A-M, -D-M	PT-TW001-D-SM	TP-38
-02, -09	-S-LC-P, *-S-A-P	PT-TW002-S-SM	TP-12
-03, -04	-S-LC-P, *-S-A-P, -S-P	PT-TW002-S-SM	TP-12
-07	-S-LC-P, *-S-A-P, -S-P	PT-TW002-S-SM	TP-12
-06	-D-LC	PT-TW001-D-SM	TP-38
-08	NONE, -A, -D	PT-TW001-D-SM	TP-38
-06	-D-A-P, -D-LC-P, -D-P, -D-LC-M, -D-A-M, -D-M	PT-TW001-D-SM	TP-38
-06	-S-LC-P, -S-A-P, -S-P	PT-TW002-S-SM	TP-12

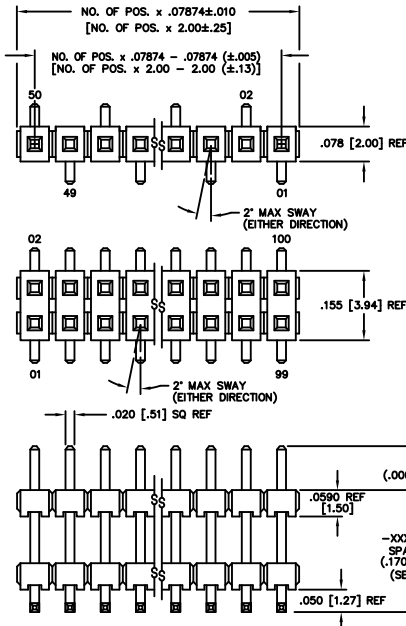
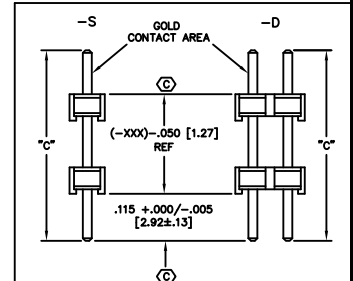


FIG 1

PATENT NUMBERS
5713755 / 5961339



IN-PROCESS

PROPRIETARY NOTE: THIS DOCUMENT CONTAINS SAMTEC'S PROPRIETARY INFORMATION. IT IS THE PROPERTY OF SAMTEC AND IS NOT TO BE REPRODUCED, COPIED, OR DISTRIBUTED IN ANY MANNER WITHOUT THE WRITTEN PERMISSION OF SAMTEC. ANY UNAUTHORIZED USE OF THIS DOCUMENT IS STRICTLY PROHIBITED. SAMTEC ASSUMES NO LIABILITY FOR DAMAGES OF ANY KIND ARISING FROM THE USE OF THIS DOCUMENT.

MATERIAL: INSULATOR: LIQUID CRYSTAL POLYMER COLOR: BLACK
TERMINALS: PHOSPHOR BRONZE

EXHIBIT ASSEMBLY 2MM TP-38

samtec

520 PARK EAST BLVD. NEW ALBANY, INDIANA 47150
PHONE (812) 944-6733, P.O. BOX 1147
CODE 55322

MADE BY: BRYANT 3-8-93 TW-XX-XX-XXX-X-XXX-SM-XXX-XX

X-ON Electronics

Largest Supplier of Electrical and Electronic Components

Click to view similar products for [Board to Board & Mezzanine Connectors](#) category:

Click to view products by [Samtec](#) manufacturer:

Other Similar products are found below :

[10135583-642402LF](#) [89885-310LF](#) [589158040000018](#) [6-1393048-0](#) [68683-613](#) [MDF7-12DP-2.54DSA](#) [MDF7-18P-2.54DSA\(01\)](#) [MDF7-20DP-2.54DSA](#) [MDF7-26D-2.54DSA\(55\)](#) [MDF7-3P-2.54DSA\(01\)](#) [MDF7B-3P-2.54DSA\(55\)](#) [MDF7C-11P-2.54DSA\(55\)](#) [MDF7C-18P-2.54DSA\(55\)](#) [MDF7C-5P-2.54DSA\(01\)](#) [MDF7P-5P-2.54DSA\(55\)](#) [75234-0516](#) [FCN-230C068-11](#) [FCN-268F012-G/BD](#) [FCN-268F036-G/BD](#) [FCN-268M012-G/0D](#) [FCN-268M024-G/1D](#) [FCN-360C008-C](#) [FCN-360C040-C](#) [FCN-723J004/1](#) [MIS-048-01-F-D-DP-K](#) [832-10-034-10-001000](#) [93696-325LF](#) [11828-1FA](#) [AXK630345P](#) [18097-0013](#) [ICA-328STT](#) [2007042-2](#) [304400-2](#) [FCN-214Q030-G/0](#) [FCN-215Q040-G/0](#) [FCN-230C068-ESA](#) [FCN-234P048-G/0](#) [FCN-235D050-G/C](#) [FCN-360A3](#) [FCN-360C040-B](#) [210-93-314-41-105000](#) [2-22603-0](#) [379-064-521-202](#) [MDF7-12P-2.54DSA\(01\)](#) [MDF7-16P-2.54DS\(56\)](#) [MDF7-40DP-2.54DSA\(55\)](#) [MDF7-8P-2.54DSA\(55\)](#) [MDF7B-16P-2.54DSA\(55\)](#) [AXG720047](#) [5031084030](#)