

ACCLIMATE™

FLEXIBLE SEALED CIRCULAR SYSTEMS



FEATURES & BENEFITS

- Metal or plastic, 12 mm, 16 mm and 22 mm shells
- Choice of pin configuration and gender
- Bayonet-style latching systems meet IP68 requirements
- Cost-effective crimp version available (samtec.com/crimp)
- Variety of end 2 options for panel-to-board applications
- Mini push-pull latching system meets IP67 requirements for dust and waterproof sealing



Kitted components for efficient field assembly



Dust caps available

ACX-12

MAX

5.0
A m p s

No. of Pins
2, 4, 5

ACX-16

MAX

11.6
A m p s

No. of Pins
2, 10, 14

ACX-22

MAX

8.3
A m p s

No. of Pins
8, 20, 30

KEY SPECIFICATIONS

| INSULATOR MATERIAL | TERMINAL MATERIAL | CONTACT MATERIAL | OPERATING TEMP RANGE | HOUSING |
|--------------------|-------------------|------------------|---|---------------------------------------|
| Thermoplastic | Brass | Brass/BeCu | -10 °C to +80 °C (ACX-12) -10 °C to +105 °C (ACX-16) -10 °C to +105 °C (ACX-22) | Thermoplastic (-P) Zinc Alloy (-M) |

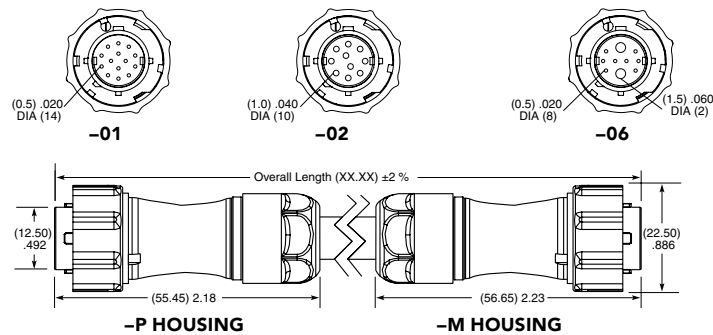
ACCLIMATE™

16 mm • IP68 SEALED CABLE ASSEMBLY

| SERIES | 16 | LEAD STYLE | PLATING OPTION | LENGTH | END 1 | END 2 | HOUSING MATERIAL | KEYING OPTIONS |
|-----------------|----|--|---|--|---|---|------------------------|-------------------------------|
| ACP Terminal | | -01 = 0.5 mm DIA (14) terminals or sockets (28 AWG) | -G = 10 μ" (0.25 μm) Gold over 50 μ" (1.27 μm) Ni on contact | -"XX.XX" = Length in meters (00.25 m min. to 50.00 m max.) Standard lengths | -T = Terminal | -T = Terminal (ACP only) | -P = Plastic | -1 = Orange, 45° |
| ACR Socket | | -02 = 1.0 mm DIA (10) terminals or sockets (24 AWG) | | | -S = Socket (N/A with End 2 -T) | -S = Socket (ACP only) | -M = Metal | |
| | | -06 = 1.5 mm DIA (2) terminals or sockets (16 AWG) + 0.5 mm DIA (8) terminals or sockets (28 AWG) | | | | -BC = Blunt Cut | | |
| | | | | | | -S1 = Connector determine by lead style. See chart for end 2 connector used. (ACR only) | | |

ACP-16

End 1/2 Mates:
ACP-16
ACR-16
ACRK-16

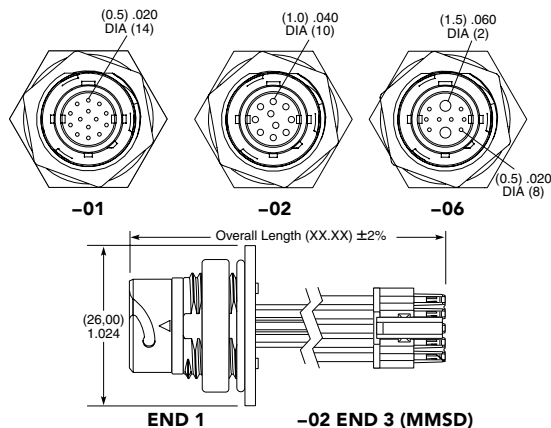


View complete specifications at: samtec.com?ACP-16

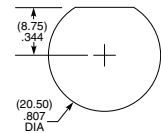
ACR-16

End 1 Mates:
ACP-16
ACPK-16

End 2 Mates:
TFM, IPL1, MPT



PANEL OPENING



| LEAD STYLE | -S1 END 2 | MATES WITH -S1 |
|------------|-------------------|----------------|
| -01 | SFSD (28 AWG) | TFM |
| -02 | MMSD (24 AWG) | IPL1 |
| -06 | 1 x SFSD (28 AWG) | TFM |
| | 1 x MPSS (16 AWG) | MPT |

View complete specifications at: samtec.com?ACR-16

CURRENT RATING

| LEAD STYLE | PINS POWERED | CCC per PIN |
|------------|---|-------------|
| -01 | 14 | 1.3 A |
| -02 | 10 | 2.6 A |
| -06 | 2 (plus 8 signal pins powered @ 1 A) | 11.6 A |

For general reference only. Contact AccliMate@samtec.com for applications requiring higher current carrying capacity.

KITS AVAILABLE

www.samtec.com?ACPK-16
www.samtec.com?ACRK-16

Note:
Some lengths, styles and options are non-standard, non-returnable.

X-ON Electronics

Largest Supplier of Electrical and Electronic Components

Click to view similar products for [Specialised Cables](#) category:

Click to view products by [Samtec](#) manufacturer:

Other Similar products are found below :

[603PT6](#) [603SS6L](#) [604PT6](#) [604SS6](#) [706000D02F200](#) [910640](#) [1200740077](#) [1200740114](#) [AC172](#) [ACL-SSI-4](#) [R88ACAKA0015SRE](#)
[R88ACAWL005SDE](#) [R88ACRGD0R3C](#) [1300150047](#) [1300660036](#) [1302262116](#) [1300150149](#) [1300220020](#) [1300220104](#) [1300220119](#)
[1301240492](#) [1301810221](#) [1365323-1](#) [1613055](#) [176P12](#) [1971465-2](#) [20240400003](#) [20240400013](#) [2085828-1](#) [20886510030](#) [2-22733-8](#) [22733-](#)
[8](#) [CB-5PSBC-RS](#) [CB-704EC-RS](#) [CB-BATACC-RS](#) [CB-JST3PSW-RS](#) [CB-M12COM-R10](#) [25AC84](#) [25AK84X](#) [25AU25](#) [25FN82](#) [3011-03](#)
[AC118](#) [ACL-HHS-1M\(CAT5E\)](#) [SSL009PC2DC012N](#) [FC2A-KC6C](#) [2085828-2](#) [20886510150](#) [CCS-FCB-5](#) [CCSFCBF2](#)