

# ACCLIMATE™

## FLEXIBLE SEALED CIRCULAR SYSTEMS



### FEATURES & BENEFITS

- Metal or plastic, 12 mm, 16 mm and 22 mm shells
- Choice of pin configuration and gender
- Bayonet-style latching systems meet IP68 requirements
- Cost-effective crimp version available ([samtec.com/crimp](http://samtec.com/crimp))
- Variety of end 2 options for panel-to-board applications
- Mini push-pull latching system meets IP67 requirements for dust and waterproof sealing



Kitted components for efficient field assembly



Dust caps available

#### ACX-12

MAX

5.0  
A m p s

No. of Pins  
2, 4, 5

#### ACX-16

MAX

11.6  
A m p s

No. of Pins  
2, 10, 14

#### ACX-22

MAX

8.3  
A m p s

No. of Pins  
8, 20, 30

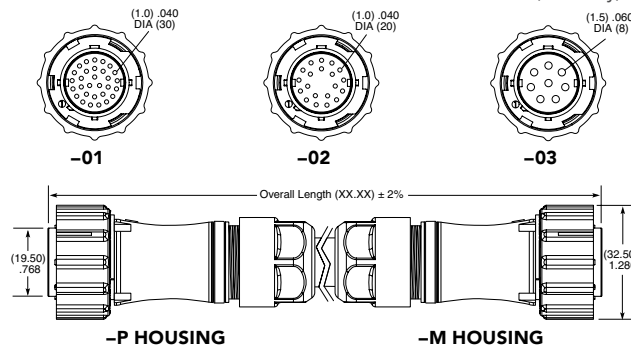
### KEY SPECIFICATIONS

INSULATOR MATERIAL	TERMINAL MATERIAL	CONTACT MATERIAL	OPERATING TEMP RANGE	HOUSING
Thermoplastic	Brass	Brass/BeCu	-10 °C to +80 °C (ACX-12) -10 °C to +105 °C (ACX-16) -10 °C to +105 °C (ACX-22)	Thermoplastic (-P) Zinc Alloy (-M)

## 22 mm • IP68 SEALED CABLE ASSEMBLY

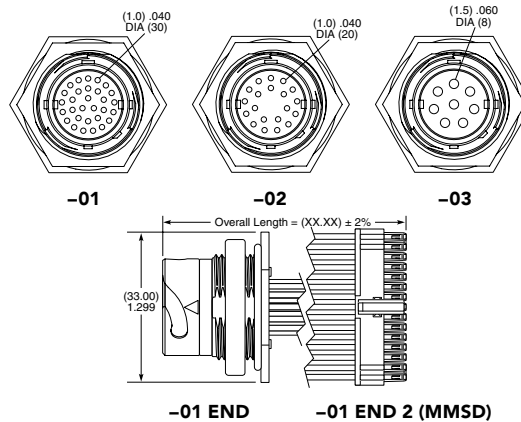
SERIES	22	LEAD STYLE	PLATING OPTION	LENGTH	END 1	END 2	HOUSING MATERIAL	KEYING OPTIONS
ACP Terminal		<b>-01</b> = 1.0 mm DIA (30) terminals or sockets (24 AWG)	<b>-G</b> = 10 μ" (0.25 μm) Gold over 50 μ" (1.27 μm) Ni on contact	<b>-"XX.XX"</b> = Length in meters (00.25 m min. to 50.00 m max.) Standard lengths	<b>-T</b> = Terminal	<b>-T</b> = Terminal (ACP only)	<b>-P</b> = Plastic	<b>-1</b> = Orange, 45°
ACR Socket		<b>-02</b> = 1.0 mm DIA (20) terminals or sockets (24 AWG)			<b>-S</b> = Socket	<b>-S</b> = Socket (ACP only)	<b>-M</b> = Metal	
		<b>-03</b> = 1.5 mm DIA (8) terminals or sockets (16 AWG)				<b>-BC</b> = Blunt Cut		
						<b>-S1</b> = Connector determine by lead style. See chart for end 2 connector used. (ACR only)		

**ACP-22**  
End 1/2 Mates:  
ACP-22  
ACR-22  
ACRK-22

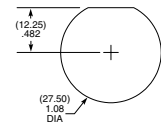


View complete specifications at: [samtec.com?ACP-22](http://samtec.com?ACP-22)

**ACR-22**  
End 1 Mates:  
ACP-22  
ACPK-22  
End 2 Mates:  
IPL1, MPT



### PANEL OPENING



LEAD STYLE	-S1 END 2	MATES WITH -S1
-01	MMSD (24 AWG)	IPL1
-02	MPSS (16 AWG)	MPT

View complete specifications at: [samtec.com?ACR-22](http://samtec.com?ACR-22)

CURRENT RATING		
LEAD STYLE	PINS POWERED	CCC per PIN
-01	30	2.0 A
-02	20	2.3 A
-03	8	8.3 A

For general reference only. Contact [AccliMate@samtec.com](mailto:AccliMate@samtec.com) for applications requiring higher current carrying capacity.

### KITS AVAILABLE

[www.samtec.com?ACPK-22](http://www.samtec.com?ACPK-22)  
[www.samtec.com?ACRK-22](http://www.samtec.com?ACRK-22)

**Note:**  
Some lengths, styles and options are non-standard, non-returnable.

## X-ON Electronics

Largest Supplier of Electrical and Electronic Components

*Click to view similar products for [Specialised Cables category](#):*

*Click to view products by [Samtec manufacturer](#):*

Other Similar products are found below :

[603PT6](#) [603SS6L](#) [604PT6](#) [604SS6](#) [706000D02F200](#) [910640](#) [1200740077](#) [1200740114](#) [AC172](#) [ACL-SSI-4](#) [R88ACAKA0015SRE](#)  
[R88ACAWL005SDE](#) [R88ACRGD0R3C](#) [1300150047](#) [1300660036](#) [1302262116](#) [1300150149](#) [1300220020](#) [1300220104](#) [1300220119](#)  
[1301240492](#) [1301810221](#) [1365323-1](#) [1613055](#) [176P12](#) [1971465-2](#) [20240400003](#) [20240400013](#) [2085828-1](#) [20886510030](#) [2-22733-8](#) [22733-](#)  
[8](#) [CB-5PSBC-RS](#) [CB-704EC-RS](#) [CB-BATACC-RS](#) [CB-JST3PSW-RS](#) [CB-M12COM-R10](#) [25AC84](#) [25AK84X](#) [25AU25](#) [25FN82](#) [3011-03](#)  
[AC118](#) [ACL-HHS-1M\(CAT5E\)](#) [SSL009PC2DC012N](#) [FC2A-KC6C](#) [2085828-2](#) [20886510150](#) [CCS-FCB-5](#) [CCSFCBF2](#)