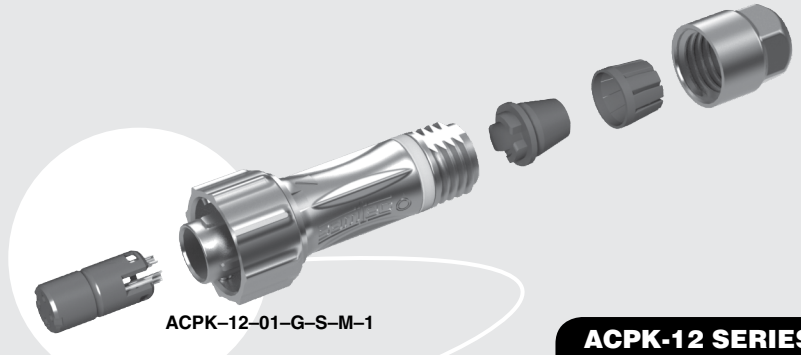


# ACCLIMATE™



**ACPK-12 SERIES**

# 12 mm IP68 FIELD TERMINATION KIT

## SPECIFICATIONS

For complete specifications and processing guidelines see [www.samtec.com?ACPK-12](http://www.samtec.com?ACPK-12)

**Insulator Material:** Thermoplastic

**Terminal Material:** Brass

**Contact Material:** Brass/BeCu

**Plating:** Au over

50 μ" (1.27 μm) Ni

**Operating Temp Range:** -10 °C to +80 °C

**Housing:** -P: Black Nylon

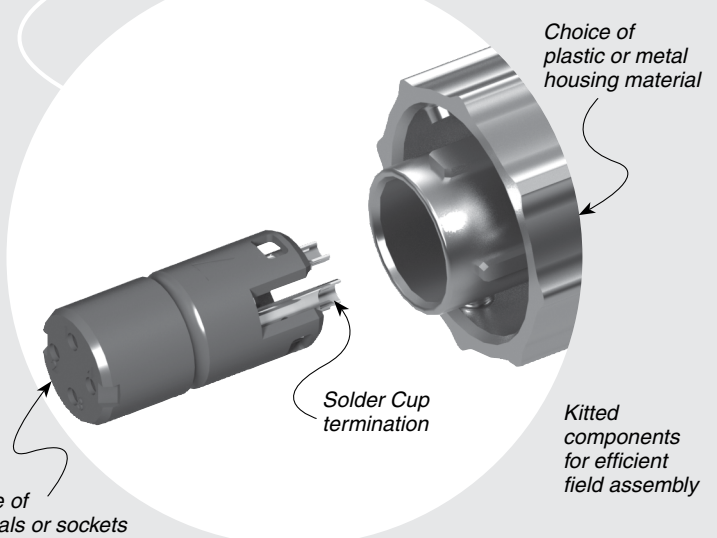
-M: Zinc Alloy

**RoHS Compliant:** Yes

**Mates with:** ACR-12, ACRK-12

CURRENT RATING		
LEAD STYLE	PINS POWERED	CCC per PIN
-01	4	3.8 A
-02	5	3.6 A
-05	2 (plus 4 signal pins powered @ 1.2 A)	5.0 A

For general reference only. See [www.samtec.com?ACPK-12](http://www.samtec.com?ACPK-12) for complete test data or contact [AccliMate@samtec.com](mailto:AccliMate@samtec.com) for applications requiring higher current carrying capacity.



## DUST CAPS

- DCA-ACP-12-M-X (Metal)
- DCA-ACP-12-P-X (Plastic)



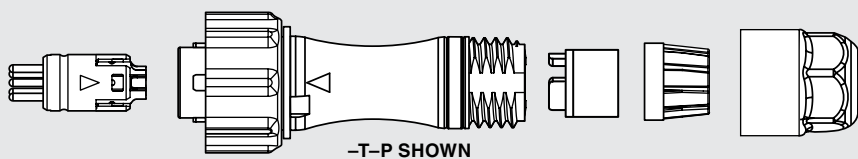
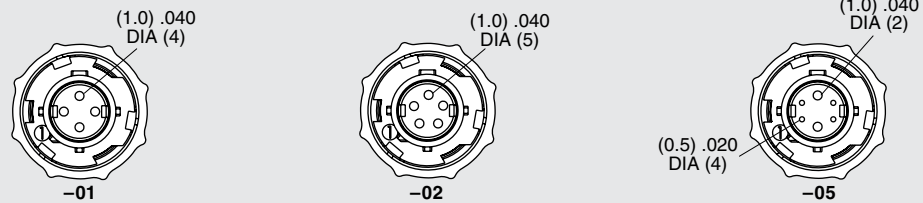
- Visit [sealedio.samtec.com](http://sealedio.samtec.com) for a complete list of sealed systems

## NOTE

For complete specifications and processing guidelines see [www.samtec.com?ACPK-12](http://www.samtec.com?ACPK-12)

**Note:** Some lengths, styles and options are non-standard, non-returnable.

ACPK	12	LEAD STYLE	PLATING	GENDER	HOUSING MATERIAL	KEYING OPTIONS
		<b>-01</b> = 1.0 mm DIA (4) terminals or sockets (20-24 AWG)  <b>-02</b> = 1.0 mm DIA (5) terminals or sockets (20-24 AWG)  <b>-05</b> = 1.0 mm DIA (2) terminals or sockets (20-24 AWG) + 0.5 mm DIA (4) terminals or sockets (26-30 AWG)	<b>-G</b> = 10 μ" (0.25 μm) Gold over 50 μ" (1.27 μm) Ni on contact	<b>-T</b> = Terminal  <b>-S</b> = Socket	<b>-P</b> = Plastic  <b>-M</b> = Metal	<b>-1</b> = Orange, 45°



## X-ON Electronics

Largest Supplier of Electrical and Electronic Components

*Click to view similar products for [Standard Circular Connector](#) category:*

*Click to view products by [Samtec](#) manufacturer:*

Other Similar products are found below :

[5M2530B10P](#) [600259N006](#) [600273N007](#) [6134-336-13149](#) [6134-337-11149](#) [6134-337-2390](#) [6134-341-17149](#) [6280-4SG-516](#) [6280-7SG-3DC](#)  
[6290](#) [6291A](#) [66200A-10](#) [680-SMG](#) [681-PMG](#) [CXS3102A14S2P](#) [CXS3102A181S](#) [7251-5SG-300](#) [7271-6SG-300](#) [7282-3PG-300-CH3](#) [75-](#)  
[474618-01S](#) [75-474618-04P](#) [75-474618-04S](#) [799539-000](#) [MI8-SE](#) [805-005-07NF11-19PC](#) [805-005-07NF15-7PA](#) [8280-4PG-516](#) [8280-7PG-](#)  
[519](#) [8282-5PG-519](#) [836783-1](#) [MP-4102-25P-C](#) [862256-1](#) [864019-2](#) [866857-1](#) [867865-1](#) [PT01SP-14-18P](#) [PT08P-14-5S](#) [PTSF06SE-14-12S](#)  
[120-1833-000](#) [QCM019PC2DC012B](#) [1-2069279-1](#) [121583-0217](#) [121667-0020](#) [129591AU](#) [1000B BULK](#) [RD10A16-19-P6CS051/1](#)  
[RD10A20-31-P8CS051/1](#) [RD16A14-12-S6CS051/2](#) [1301240290](#) [1301240347](#) [1301860202](#)